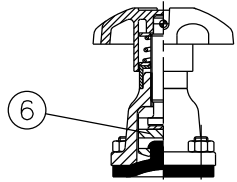
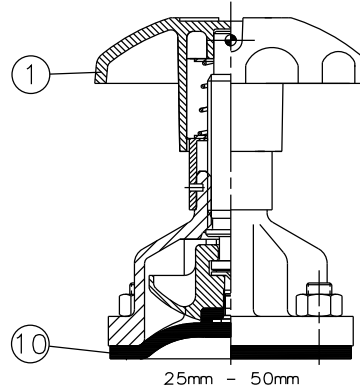


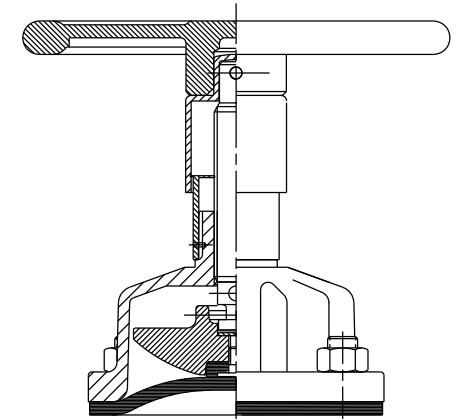
RUBBER LINE DIAPHRAGM



15mm - 20mm

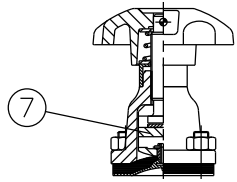


25mm - 50mm

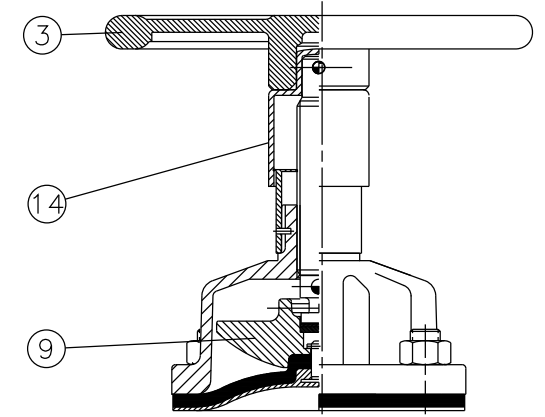
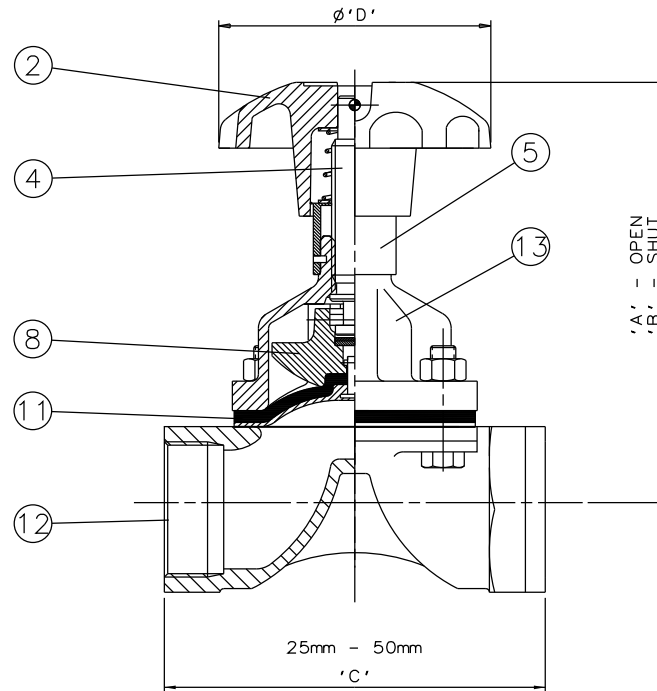


65mm - 150mm

RUBBER/PTFE LINE DIAPHRAGM



15mm - 20mm



65mm - 150mm

Item	Component	Material	Where Used
1	HANDWHEEL	ABS	15mm-50mm
2		CAST IRON	15mm-50mm
3		CAST IRON	65mm-80mm
4	SPINDLE	STAINLESS STEEL	
5	BONNET SLEEVE	POLYPROPYLENE	
6	COMPRESSOR	CAST STEEL	15mm-20mm
7		SILICON ALUM.	15mm-50mm
8		CAST IRON	25mm-150mm
9		CAST IRON	65mm-150mm
10	LINE DIAPHRAGM	RUBBER	Size(DN) 15 91 84 63.5 62
11		RUBBER/PTFE	20 94 88 83 62
12	BODY	CAST IRON	25 119 109 111 80
		S.G. IRON	32 154 142 125 120
		STAINLESS STEEL	40 165 149 145 120
		GUNMETAL	50 188 165 168 120
13	BONNET	S.G. IRON	65 241 209 208 170
14	HANDWHEEL BOSS	POLYPROPYLENE	65mm-150mm 80 263 229 260 230

The information on this sheet is Private and Confidential and is the property of Crane Process Flow Technologies Limited and must not be published directly or indirectly in any manner whatsoever without the written permission of the Company and must not be used in any way detrimental to their interests.
 © Crane Process Flow Technologies

CRANE Process Flow Technologies
 A Crane Co. Company

Saunders
 The Science Inside

Title
 GENERAL ARRANGEMENT OF 'A' TYPE RISING
 HANDWHEEL INDICATOR BONNET ASSEMBLY
 (4000) FITTED ON SCREWED BODY

Drawn NAW	Date 09.08.13	UNCONTROLLED IN HARD COPY FORMAT
Checked RND	Date 09.08.13	
First Angle Projection Method E	DO NOT SCALE	Drawing No. A-SG-RHI-SCREWED
		Issue. 1