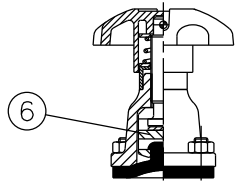
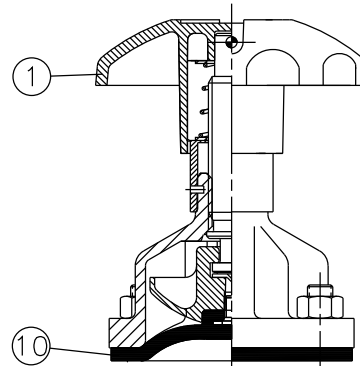


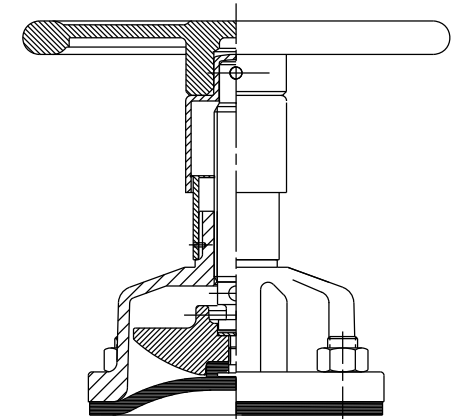
RUBBER LINE DIAPHRAGM



15mm - 20mm

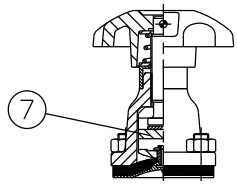


25mm - 50mm

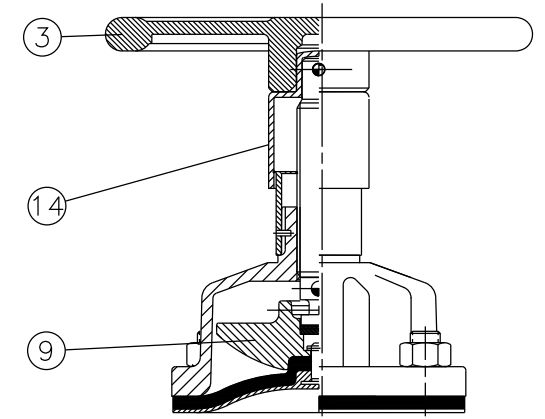
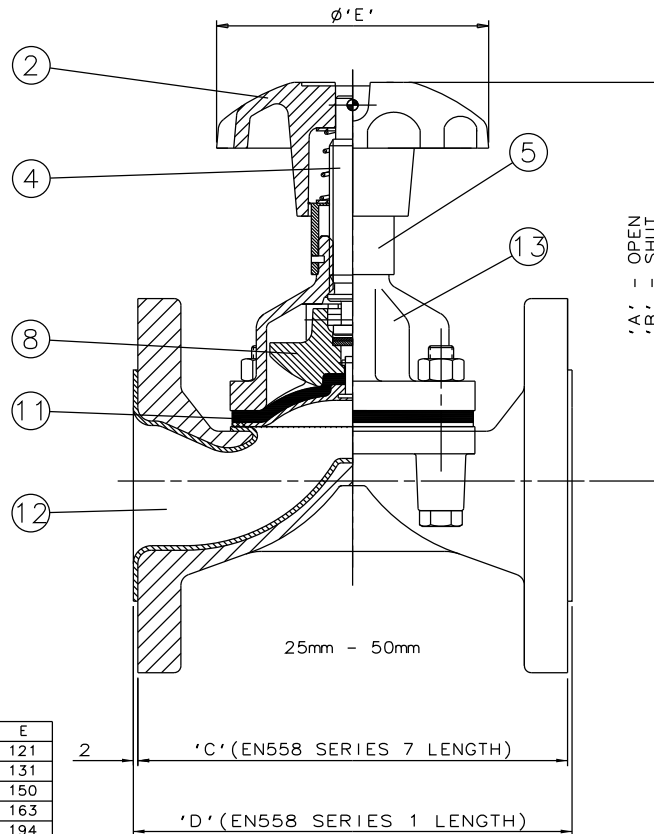


65mm - 150mm

RUBBER/PTFE LINE DIAPHRAGM



15mm - 20mm



65mm - 150mm

Item	Component	Material	Lining	Where Used
1	HANDWHEEL	ABS		15mm-50mm
2		CAST IRON		15mm-50mm
3		CAST IRON		65mm-150mm
4	SPINDLE	STAINLESS STEEL		
5	BONNET SLEEVE	POLYPROPYLENE		
6	COMPRESSOR	CAST STEEL		15mm-20mm
7		SILICON ALUM.		15mm-50mm
8		CAST IRON		25mm-150mm
9		CAST IRON		65mm-150mm
10	LINE DIAPHRAGM	RUBBER		40 160 144 159 196 163
11		RUBBER/PTFE		50 177 154 190 226 194
12	BODY	CAST IRON	HARD	65 229 197 216 286 220
		S.G. IRON	SOFT	80 246 212 254 306 258
			BUTYL	100 311 265 305 346 309
		CAST STEEL	NEOPRENE	125 391 325 356 394 362
13	BONNET	S.G. IRON		150 445 370 406 474 412
14	HANDWHEEL BOSS	POLYPROPYLENE		65mm-150mm* 150mm FOR CAST IRON BODIES WITH PN16 FLANGES

The information on this sheet is Private and Confidential and is the property of Crane Process Flow Technologies Limited and must not be published directly or indirectly in any manner whatsoever without the written permission of the Company and must not be used in any way detrimental to their interests.  
 © Crane Process Flow Technologies

**CRANE** Process Flow Technologies  
 A Crane Co. Company

**Saunders**  
 The Science Inside

Title  
 GENERAL ARRANGEMENT OF 'A' TYPE RISING HANDWHEEL INDICATOR BONNET ASSEMBLY (4000) FITTED ON RUBBER LINED FLANGED BODY

Drawn NAW Date 06.08.13 UNCONTROLLED IN HARD COPY FORMAT  
 Checked RND Date 06.08.13

First Angle Projection DO NOT SCALE Drawing No. A-SG-RHI-RUBBER Issue. 1