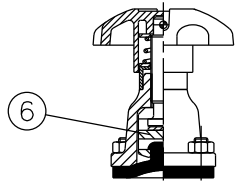
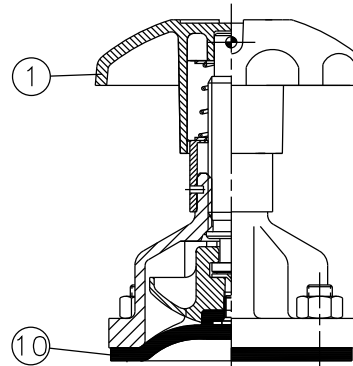


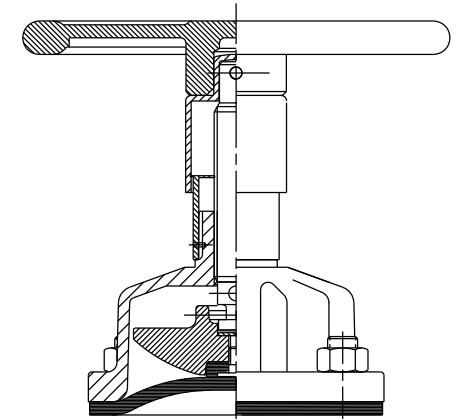
RUBBER LINE DIAPHRAGM



15mm - 20mm

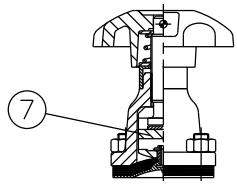


25mm - 50mm

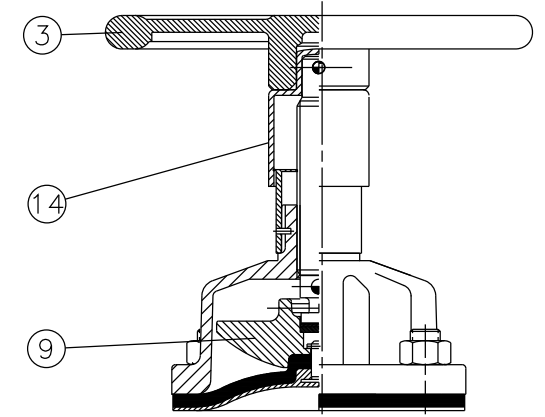
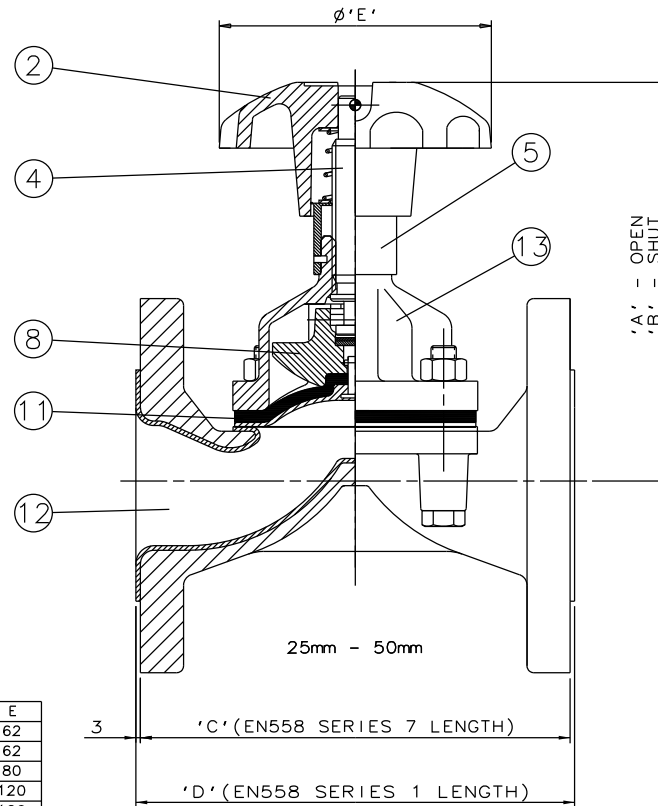


65mm - 150mm

RUBBER/PTFE LINE DIAPHRAGM



15mm - 20mm



65mm - 150mm

Item	Component	Material	Lining	Where Used
1	HANDWHEEL	ABS		15mm-50mm
2		CAST IRON		15mm-50mm
3		CAST IRON		65mm-150mm
4	SPINDLE	STAINLESS STEEL		
5	BONNET SLEEVE	POLYPROPYLENE		
6	COMPRESSOR	CAST STEEL		Size (DN) 15 ** 97 90 N/A 124 62
7		SILICON ALUM.		15mm-20mm 20 97 91 117 144 62
8		CAST IRON		15mm-50mm 25 112 102 127 154 80
9		CAST IRON		25mm-150mm 32 149 138 146* 174 120
10	LINE DIAPHRAGM	RUBBER		65mm-150mm 40 162 145 159 194 120
11		RUBBER/PTFE		50 179 155 190 224 120
12	BODY	S.G. IRON	ETFE	65 230 197 216 286 170
			PVDF	80 246 211 254 304 230
			PP	100 314 267 305 344 280
			PFA	125 391 322 356 394 280
13	BONNET	S.G. IRON		150 450 374 406 474 368
14	HANDWHEEL BOSS	POLYPROPYLENE		65mm-150mm *150mm FOR CAST IRON BODIES WITH PN16 FLANGES

\*\* PFA LINED BODY ONLY

The information on this sheet is Private and Confidential and is the property of Crane Process Flow Technologies Limited and must not be published directly or indirectly in any manner whatsoever without the written permission of the Company and must not be used in any way detrimental to their interests.  
© Crane Process Flow Technologies

<b>CRANE</b>	Process Flow Technologies A Crane Co. Company	<b>Saunders</b> The Science Inside
Title GENERAL ARRANGEMENT OF 'A' TYPE RISING HANDWHEEL INDICATOR BONNET ASSEMBLY (4000) FITTED ON PLASTIC LINED FLANGED BODY		
Drawn NAW	Date 06.08.13	UNCONTROLLED IN HARD COPY FORMAT
Checked RND	Date 06.08.13	
First Angle Projection Method E	DO NOT SCALE	Drawing No. A-SG-RHI-PLASTIC
		Issue. 1