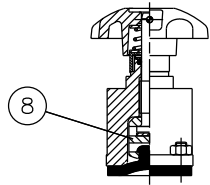
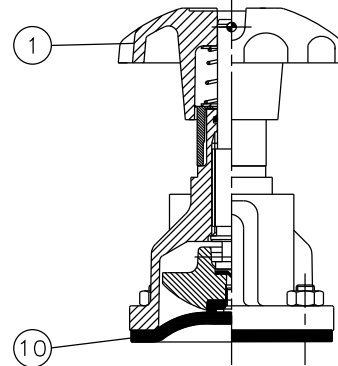


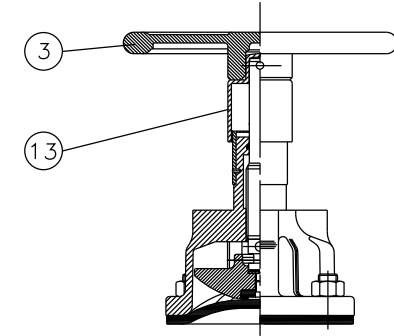
RUBBER LINE DIAPHRAGM



15-20mm

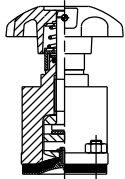


25-50mm

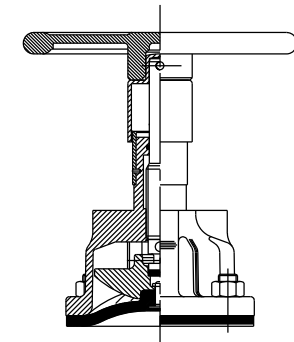
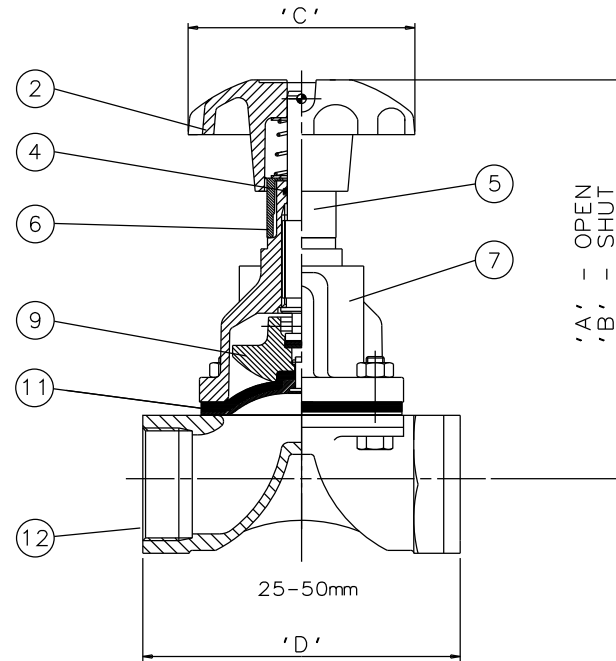


65-80mm

RUBBER/PTFE LINE DIAPHRAGM



15-20mm



65-80mm

Item	Component	Material	Where Used
1	HANDWHEEL	ABS	15mm-50mm
2		CAST IRON	15mm-50mm
3		CAST IRON	65mm-80mm
4	'O'RING	VITON	15mm-80mm
5	SPINDLE	MILD STEEL	
6	BONNET SLEEVE	POLYPROPYLENE	
7	BONNET	S.G. IRON	15mm-50mm
		CAST IRON	65mm-80mm
8	COMPRESSOR	MILD STEEL	15mm-20mm
9		CAST IRON	25mm-80mm
10	LINE DIAPHRAGM	RUBBER	
11		RUBBER/PTFE	
12	BODY	CAST IRON	40 191 168 120 144
		S.G. IRON	50 212 176 120 168
		STAINLESS STEEL	65 262 230 170 208
		GUNMETAL	
13	HANDWHEEL BOSS	POLYPROPYLENE	65mm-80mm

Size(DN)	A	B	C	D
15	104	98	62	63.5
20	108	102	62	83
25	140	119	80	111
40	191	168	120	144
50	212	176	120	168
65	262	230	170	208
80	297	261	230	260

The information on this sheet is Private and Confidential and is the property of Crane Process Flow Technologies Limited and must not be published directly or indirectly in any manner whatsoever without the written permission of the Company and must not be used in any way detrimental to their interests.  
 © Crane Process Flow Technologies

**CRANE** Process Flow Technologies  
 A Crane Co. Company

**Saunders**  
 The Science Inside

Title  
 GENERAL ARRANGEMENT OF 'A' TYPE RISING  
 HANDWHEEL SEALED BONNET ASSEMBLY (9100)  
 FITTED ON SCREWED BODY

Drawn NAW	Date 20.08.13	UNCONTROLLED IN HARD COPY FORMAT	
Checked RND	Date 20.08.13		
First Angle Projection Method E	DO NOT SCALE	Drawing No.	Issue.
		A-SG-CI-RHI-SEALED-SCREWED	1