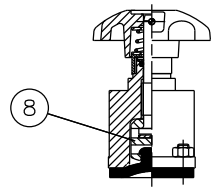
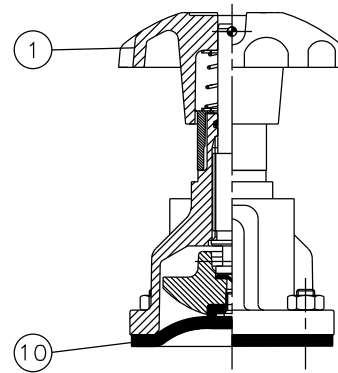


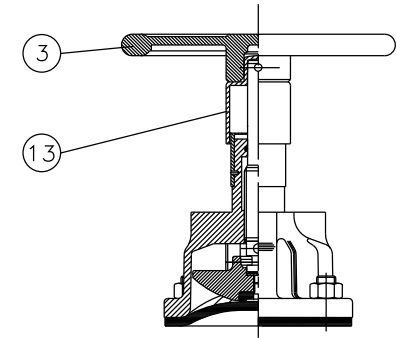
RUBBER LINE DIAPHRAGM



15-20mm

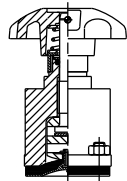


25-50mm

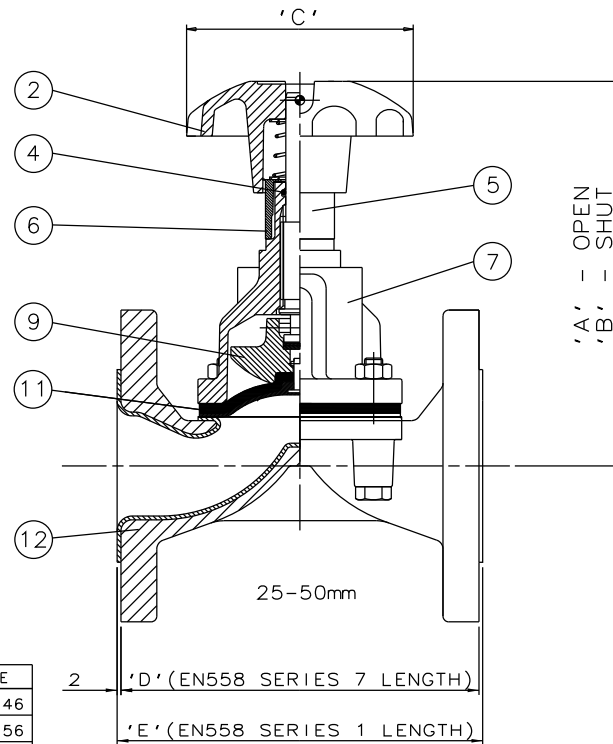


65-150mm

RUBBER/PTFE LINE DIAPHRAGM

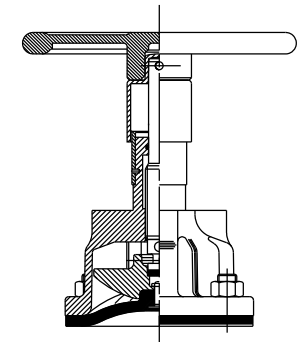


15-20mm



25-50mm

'A' - OPEN
'B' - SHUT



65-150mm

Item	Component	Material	Lining	Where Used	Size(DN)	A	B	C	D	E
1	HANDWHEEL	ABS		15mm-50mm						
2		CAST IRON		15mm-50mm						
3		CAST IRON		65mm-150mm						
4	'O'RING	VITON		15mm-150mm	20	111	105	62	117	146
5	SPINDLE	MILD STEEL			25	132	122	80	127	156
6	BONNET SLEEVE	POLYPROPYLENE			32	169	158	120*	146	176
7	BONNET	S.G. IRON		15mm-50mm	40	186	171	120	159	196
8		CAST IRON		65mm-150mm						
9	COMPRESSOR	MILD STEEL		15mm-20mm	50	201	178	120	190	226
10		CAST IRON		25mm-150mm						
11	LINE DIAPHRAGM	RUBBER			65	250	219	170	216	286
		RUBBER/PTFE			80	280	245	230	254	306
12	BODY	CAST IRON	HARD		100	349	302	280	305	346
		S.G. IRON	SOFT		125	421	355	280	356	394
		CAST STEEL	BUTYL		150	479	404	368	406	474
13	HANDWHEEL BOSS	POLYPROPYLENE	NEOPRENE	65mm-150mm						

* 150mm FOR CAST IRON BODIES WITH PN16 FLANGES

The information on this sheet is Private and Confidential and is the property of Crane Process Flow Technologies Limited and must not be published directly or indirectly in any manner whatsoever without the written permission of the Company and must not be used in any way detrimental to their interests.
© Crane Process Flow Technologies

CRANE Process Flow Technologies
A Crane Co. Company

Saunders
The Science Inside

Title
GENERAL ARRANGEMENT OF 'A' TYPE RISING
HANDWHEEL SEALED BONNET ASSEMBLY (9100)
FITTED ON RUBBER LINED FLANGED BODY

Drawn NAW	Date 20.08.13	UNCONTROLLED IN HARD COPY FORMAT
Checked RND	Date 20.08.13	
First Angle Projection Method E	DO NOT SCALE	Drawing No. A-SG-CI-RHI-SEALED-RUBBER
		Issue. 1