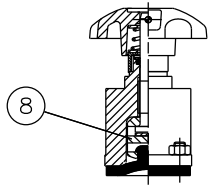
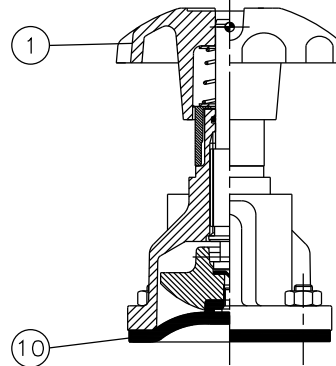


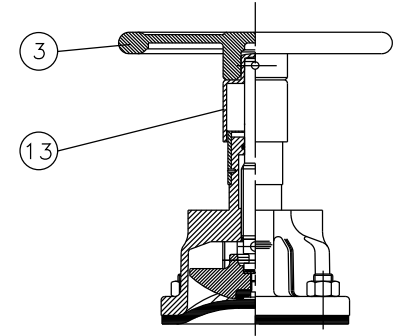
RUBBER LINE DIAPHRAGM



15-20mm

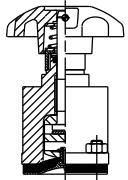


25-50mm

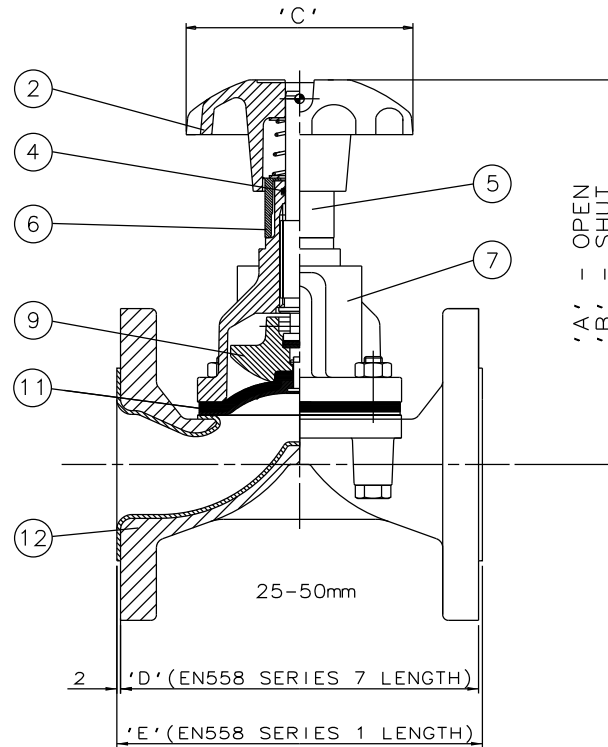


65-150mm

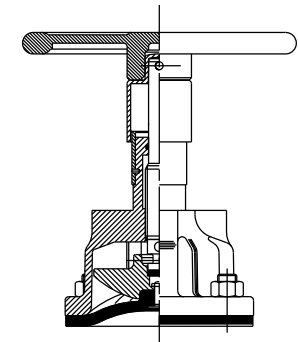
RUBBER/PTFE LINE DIAPHRAGM



15-20mm



25-50mm



65-150mm

Item	Component	Material	Lining	Where Used	** PFA LINED BODY ONLY					
1	HANDWHEEL	ABS		15mm-50mm	Size(DN)	A	B	C	D	E
2		CAST IRON		15mm-50mm						
3		CAST IRON		65mm-150mm						
4	'O'RING	VITON		15mm-150mm	20	111	105	62	117	144
5	SPINDLE	MILD STEEL			25	133	123	80	127	154
6	BONNET SLEEVE	POLYPROPYLENE			32	173	162	120	146*	174
7	BONNET	S.G. IRON		15mm-50mm	40	189	173	120	159	194
		CAST IRON		65mm-150mm						
8	COMPRESSOR	MILD STEEL		15mm-20mm	50	203	180	120	190	224
9		CAST IRON		25mm-150mm						
10	LINE DIAPHRAGM	RUBBER			65	251	220	170	216	284
11		RUBBER/PTFE								
					80	280	245	230	254	304
			ETFE		100	351	304	280	305	344
			PVDF		125	421	355	280	356	394
			PP		150	484	408	368	406	474
			PFA							
12	BODY	S.G. IRON								
13	HANDWHEEL BOSS	POLYPROPYLENE		65mm-150mm	*150mm FOR CAST IRON BODIES WITH PN16 FLANGES					

The information on this sheet is Private and Confidential and is the property of Crane Process Flow Technologies Limited and must not be published directly or indirectly in any manner whatsoever without the written permission of the Company and must not be used in any way detrimental to their interests.
 © Crane Process Flow Technologies

CRANE Process Flow Technologies
 A Crane Co. Company

Saunders
 The Science Inside

Title
 GENERAL ARRANGEMENT OF 'A' TYPE RISING HANDWHEEL SEALED BONNET ASSEMBLY (9100) FITTED ON PLASTIC LINED FLANGED BODY

Drawn	NAW	Date	21.08.13	UNCONTROLLED IN HARD COPY FORMAT
Checked	RND	Date	21.08.13	
First Angle Projection Method E		DO NOT SCALE	Drawing No.	Issue.
			A-SG-CI-RHI-SEALED-PLASTIC	1