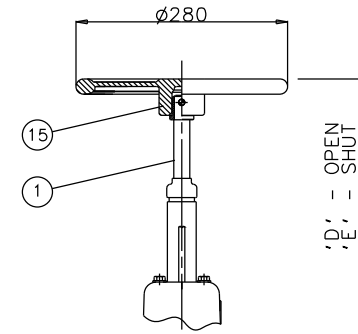
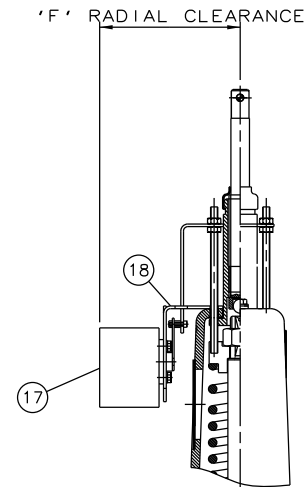


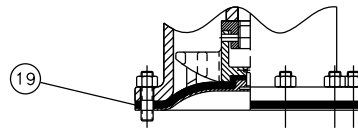
RUBBER LINE DIAPHRAGM



EMERGENCY HANDWHEEL (OPTIONAL)



007 SWITCHBOX (OPTIONAL)



RUBBER/PTFE LINE DIAPHRAGM

Item	Component	Material
1	HANWHEEL SPINDLE	MILD STEEL
2	UPPER SPRING PLATE	MILD STEEL
3	SPRINGS	STEEL
4	COVER	SILICON ALUM.
5	CYLINDER O RING	NITRILE
6	DIAPHRAGM PLATE	FORGED STEEL
7	OPERATING DIAPHRAGM	RUBBER
8	MASTER SPINDLE	STAINLESS STEEL
9	BONNET	CAST IRON
10	COMPRESSOR	CAST IRON
11	LINE DIAPHRAGM	RUBBER
12	SPINDLE ATTACHMENT	STAINLESS STEEL
13	LOWER CYLINDER	SILICON ALUM.
14	UPPER CYLINDER	SILICON ALUM.
15	HANDWHEEL	CAST IRON
16	BODY	CAST IRON
		SG IRON
		CAST STEEL
17	'007' SWITCHBOX	
18	MOUNTING BRACKET	STAINLESS STEEL
19	LINE DIAPHRAGM	RUBBER/PTFE

Size(DN)	A	B	C	D	E	F
100	879	305	350	897	885	159
125	907	356	400	925	871	159
150	974	406	480	992	928	159

The information on this sheet is Private and Confidential and is the property of Crane Process Flow Technologies Limited and must not be published directly or indirectly in any manner whatsoever without the written permission of the Company and must not be used in any way detrimental to their interests.  
 © Crane Process Flow Technologies

**CRANE** Process Flow Technologies  
 A Crane Co. Company

**Saunders**  
 The Science Inside

Title			
GENERAL ARRANGEMENT OF 'A' TYPE ES72 SPRING OPENING MODULAR ACTUATOR (F8000) COMPLETE WITH OPTIONS INCLUDING SWITCHES FITTED ON UNLINED FLANGED BODY			
Drawn NAW	Date 04.12.13	UNCONTROLLED IN HARD COPY FORMAT	
Checked RND	Date 04.12.13		
First Angle Projection Method E	DO NOT SCALE	Drawing No. A-ES72-UNLINED	Issue. 1