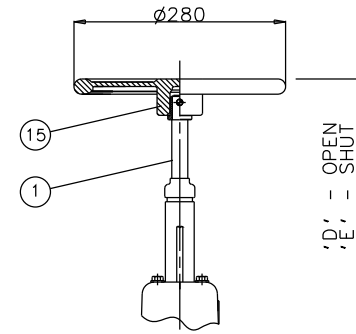
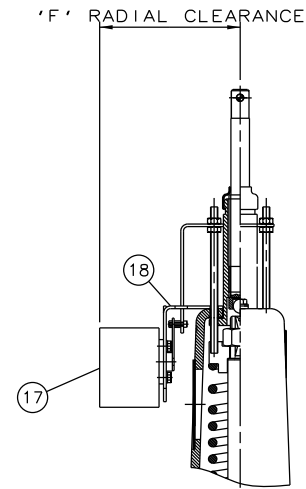


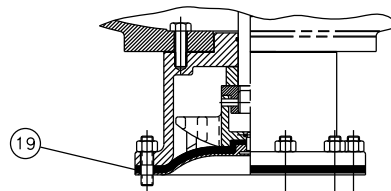
RUBBER LINE DIAPHRAGM



EMERGENCY HANDWHEEL (OPTIONAL)



007 SWITCHBOX (OPTIONAL)



RUBBER/PTFE LINE DIAPHRAGM

Item	Component	Material	Lining
1	HANWHEEL SPINDLE	MILD STEEL	
2	UPPER SPRING PLATE	MILD STEEL	
3	SPRINGS	STEEL	
4	COVER	SILICON ALUM.	
5	CYLINDER O RING	NITRILE	
6	DIAPHRAGM PLATE	FORGED STEEL	
7	OPERATING DIAPHRAGM	RUBBER	
8	MASTER SPINDLE	STAINLESS STEEL	
9	BONNET	CAST IRON	
10	COMPRESSOR	CAST IRON	
11	LINE DIAPHRAGM	RUBBER	
12	SPINDLE ATTACHMENT	STAINLESS STEEL	
13	LOWER CYLINDER	SILICON ALUM.	
14	UPPER CYLINDER	SILICON ALUM.	
15	HANDWHEEL	CAST IRON	
16	BODY	CAST IRON	HARD RUBBER
		SG IRON	SOFT RUBBER
		CAST STEEL	BUTYL RUBBER
17	'007' SWITCHBOX		NEOPRENE RUBBER
18	MOUNTING BRACKET	STAINLESS STEEL	
19	LINE DIAPHRAGM	RUBBER/PTFE	

Size(DN)	A	B	C	D	E	F
100	882	305	350	900	888	159
125	910	356	400	928	874	159
150	977	406	480	995	931	159

The information on this sheet is Private and Confidential and is the property of Crane Process Flow Technologies Limited and must not be published directly or indirectly in any manner whatsoever without the written permission of the Company and must not be used in any way detrimental to their interests.  
© Crane Process Flow Technologies

**CRANE** Process Flow Technologies  
A Crane Co. Company

**Saunders**  
The Science Inside

Title			
GENERAL ARRANGEMENT OF 'A' TYPE ES72 SPRING OPENING MODULAR ACTUATOR (F8000) COMPLETE WITH OPTIONS INCLUDING SWITCHES FITTED ON RUBBER LINED FLANGED BODY			
Drawn	NAW	Date	04.12.13
Checked	RND	Date	04.12.13
First Angle Projection		DO NOT SCALE	Drawing No.
Method E			A-ES72-RUBBER
			Issue.
			1