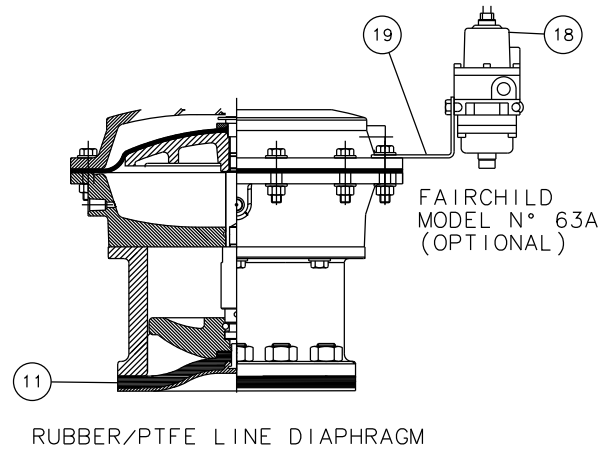
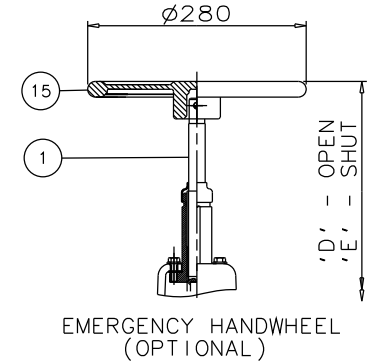


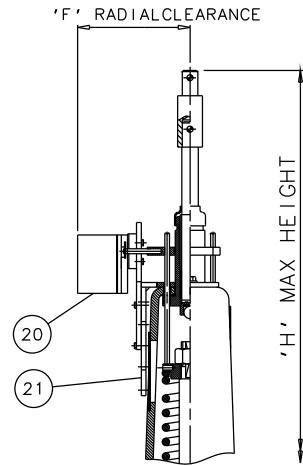
RUBBER LINE DIAPHRAGM



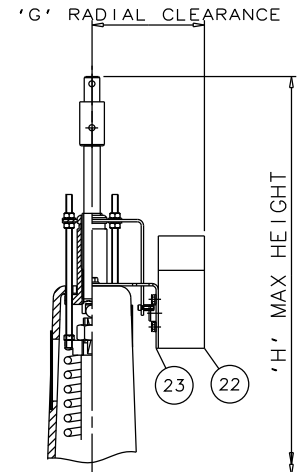
RUBBER/PTFE LINE DIAPHRAGM



EMERGENCY HANDWHEEL (OPTIONAL)



007 SWITCHBOX (OPTIONAL)



VIAPOS-MIDI POSITIONER (OPTIONAL)

Item	Component	Material	Lining
1	HANDWHEEL SPINDLE	MILD STEEL	
2	UPPER SPRING PLATE	MILD STEEL	
3	SPRING	MILD STEEL	
4	SPRING COVER	SILICON ALUM.	
5	BUSH/CYL. 'O' RING	RUBBER	
6	DIAPHRAGM PLATE	FORGED STEEL	
7	OPERATING DIAPHRAGM	RUBBER	
8	MASTER SPINDLE	STAINLESS STEEL	
9	BONNET	STEEL	
10	COMPRESSOR	STAINLESS STEEL	
11	LINE DIAPHRAGM	RUBBER/PTFE	
12	SPINDLE ATTACHMENT	STAINLESS STEEL	
13	UPPER CYLINDER	SILICON ALUM.	
14	LOWER CYLINDER	SILICON ALUM.	
15	HANDWHEEL	STEEL	
16	BODY	CAST IRON	HARD RUBBER
		SG IRON	SOFT RUBBER
			BUTYL RUBBER
		CAST STEEL	NEOPRENE RUBBER
17	LOWER SPRING PLATE	MILD STEEL	
18	FAIRCHILD REGULATOR		
19	MOUNTING BRACKET	STAINLESS STEEL	
20	'007' SWITCHBOX		
21	MOUNTING BRACKET	STAINLESS STEEL	
22	VIAPOS MIDI POSITIONER		
23	MOUNTING BRACKET	STAINLESS STEEL	

Size (DN)	A	B	C	D	E	F	G	H
100	786	305	350	807	760	157	144	851
125	825	356	400	843	791	157	144	878
150	881	406	480	899	838	157	144	946

The information on this sheet is Private and Confidential and is the property of Crane Process Flow Technologies Limited and must not be published directly or indirectly in any manner whatsoever without the written permission of the Company and must not be used in any way detrimental to their interests.
© Crane Process Flow Technologies

CRANE Process Flow Technologies
A Crane Co. Company

Saunders
The Science Inside

Title
GENERAL ARRANGEMENT OF 'A' TYPE ES71 SPRING OPENING MODULAR ACTUATOR (E8000) COMPLETE WITH OPTIONS INCLUDING SWITCHES FITTED ON RUBBER LINED FLANGED BODY

Drawn	JRD	Date	19.06.13	UNCONTROLLED IN HARD COPY FORMAT
Checked	RND	Date	19.06.13	
First Angle Projection Method E		DO NOT SCALE	Drawing No.	Issue.
			A-ES71-RUBBER	1