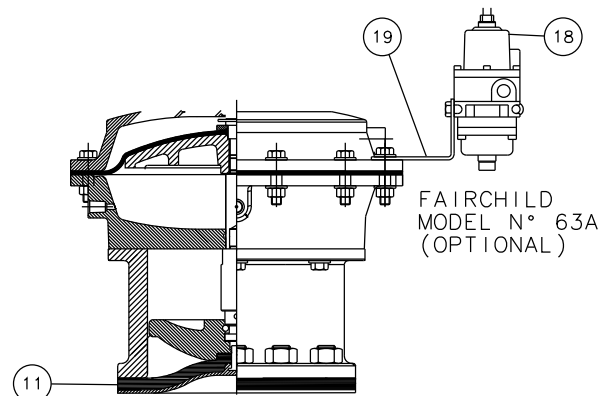
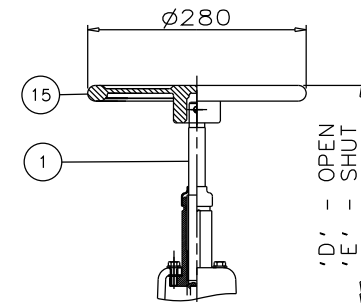


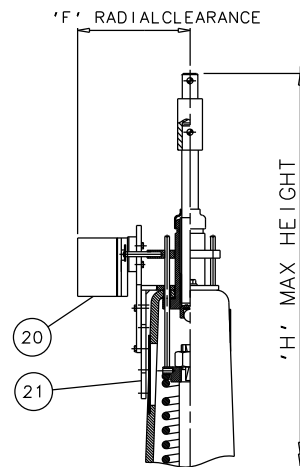
RUBBER LINE DIAPHRAGM



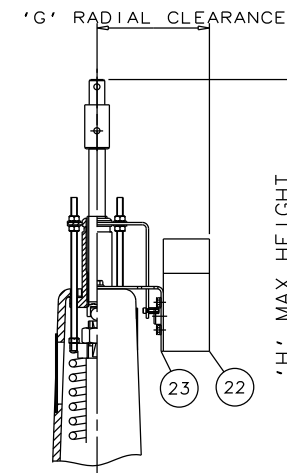
RUBBER/PTFE LINE DIAPHRAGM



EMERGENCY HANDWHEEL (OPTIONAL)



007 SWITCHBOX (OPTIONAL)



VIAPOS-MIDI POSITIONER (OPTIONAL)

Item	Component	Material	Lining
1	HANDWHEEL SPINDLE	MILD STEEL	
2	UPPER SPRING PLATE	MILD STEEL	
3	SPRING	MILD STEEL	
4	SPRING COVER	SILICON ALUM.	
5	BUSH/CYL. 'O' RING	RUBBER	
6	DIAPHRAGM PLATE	FORGED STEEL	
7	OPERATING DIAPHRAGM	RUBBER	
8	MASTER SPINDLE	STAINLESS STEEL	
9	BONNET	STEEL	
10	COMPRESSOR	STAINLESS STEEL	
11	LINE DIAPHRAGM	RUBBER/PTFE	
12	SPINDLE ATTACHMENT	STAINLESS STEEL	
13	UPPER CYLINDER	SILICON ALUM.	
14	LOWER CYLINDER	SILICON ALUM.	
15	HANDWHEEL	STEEL	
16	BODY	CAST IRON	GLASS
17	LOWER SPRING PLATE	MILD STEEL	
18	FAIRCHILD REGULATOR		
19	MOUNTING BRACKET	STAINLESS STEEL	
20	'007' SWITCHBOX		
21	MOUNTING BRACKET	STAINLESS STEEL	
22	VIAPOS MIDI POSITIONER		
23	MOUNTING BRACKET	STAINLESS STEEL	

Size (DN)	A	B	C	D	E	F	G	H
100	784	305	350	805	758	157	144	849
125	823	356	400	841	789	157	144	876
150	879	406	480	901	840	157	144	948

The information on this sheet is Private and Confidential and is the property of Crane Process Flow Technologies Limited and must not be published directly or indirectly in any manner whatsoever without the written permission of the Company and must not be used in any way detrimental to their interests.  
© Crane Process Flow Technologies

**CRANE** Process Flow Technologies  
A Crane Co. Company

**Saunders**  
The Science Inside

Title  
GENERAL ARRANGEMENT OF 'A' TYPE ES71 SPRING OPENING MODULAR ACTUATOR (E8000) COMPLETE WITH OPTIONS INCLUDING SWITCHES FITTED ON GLASS LINED FLANGED BODY

Drawn JRD Date 19.06.13 UNCONTROLLED IN  
Checked RND Date 19.06.13 HARD COPY FORMAT

First Angle Projection Method E DO NOT SCALE Drawing No. A-ES71-GLASS Issue. 1