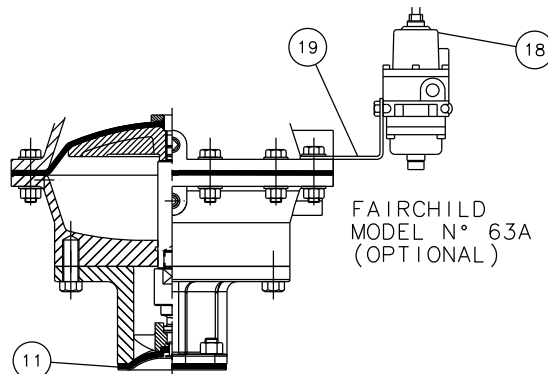
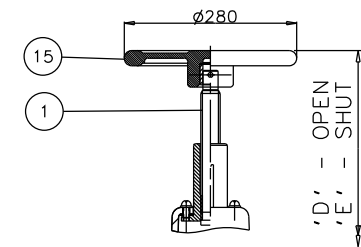


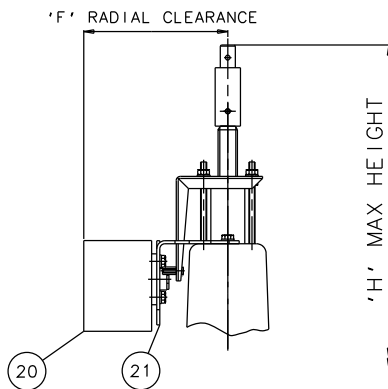
RUBBER LINE DIAPHRAGM



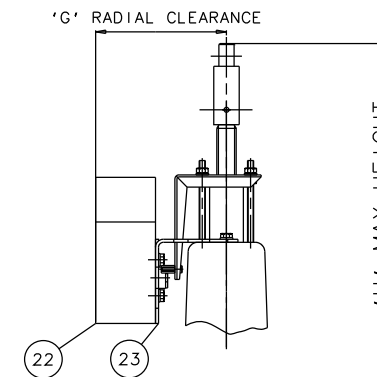
RUBBER/PTFE LINE DIAPHRAGM



EMERGENCY HANDWHEEL (OPTIONAL)



'007' SWITCHBOX (OPTIONAL)



VIAPOS-MIDI POSITIONER (OPTIONAL)

Item	Component	Material
1	HANDWHEEL SPINDLE	MILD STEEL
2	UPPER SPRING PLATE	MILD STEEL
3	SPRING	MILD STEEL
4	SPRING COVER	SILICON ALUM.
5	BUSH/CYL. 'O' RING	RUBBER
6	DIAPHRAGM PLATE	FORGED STEEL
7	OPERATING DIAPHRAGM	RUBBER
8	MASTER SPINDLE	STAINLESS STEEL
9	BONNET	STEEL
10	COMPRESSOR	STAINLESS STEEL
11	LINE DIAPHRAGM	RUBBER/PTFE
12	SPINDLE ATTACHMENT	STAINLESS STEEL
13	UPPER CYLINDER	SILICON ALUM.
14	LOWER CYLINDER	SILICON ALUM.
15	HANDWHEEL	STEEL
16	BODY	CAST IRON
		SG IRON
		STAINLESS STEEL
		GUNMETAL
		CAST STEEL
17	LOWER SPRING PLATE	MILD STEEL
18	FAIRCHILD REGULATOR	
19	MOUNTING BRACKET	STAINLESS STEEL
20	'007' SWITCHBOX	
21	MOUNTING BRACKET	STAINLESS STEEL
22	VIAPOS MIDI POSITIONER	
23	MOUNTING BRACKET	STAINLESS STEEL

Size(DN)	A	B	C	D	E	F	G	H
50	773	190	230	791	761	142	152	826
65	783	216	290	801	836	142	152	836
80	786	254	310	804	845	142	152	838
100	810	305	350	828	785	142	152	862

The information on this sheet is Private and Confidential and is the property of Crane Process Flow Technologies Limited and must not be published directly or indirectly in any manner whatsoever without the written permission of the Company and must not be used in any way detrimental to their interests.
 © Crane Process Flow Technologies

CRANE Process Flow Technologies
A Crane Co. Company

Saunders
The Science Inside

Title			
GENERAL ARRANGEMENT OF 'A' TYPE ES70 SPRING OPENING MODULAR ACTUATOR (D8000) COMPLETE WITH OPTIONS INCLUDING SWITCHES FITTED ON UNLINED FLANGED BODY			
Drawn	JRD	Date	19.06.13
Checked	RND	Date	19.06.13
UNCONTROLLED IN HARD COPY FORMAT		Drawing No.	
First Angle Projection Method E		DO NOT SCALE	Issue.
A-ES70-UNLINED		1	