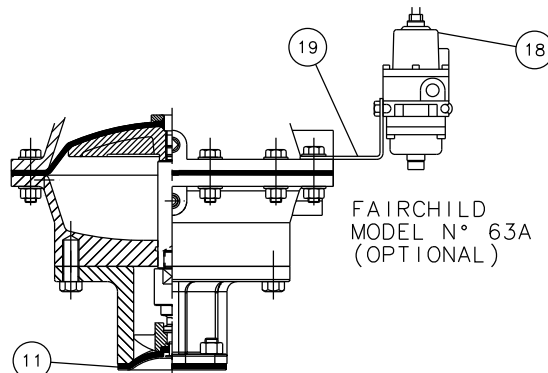
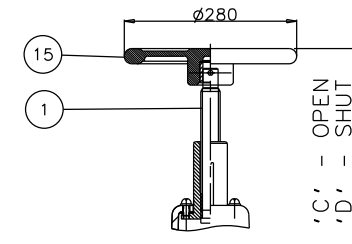


RUBBER LINE DIAPHRAGM

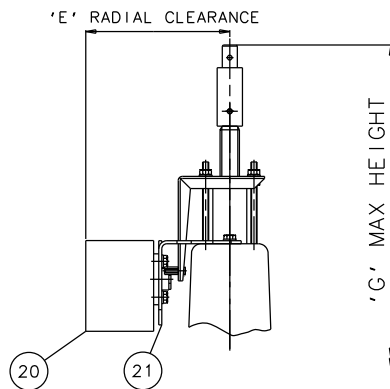


FAIRCHILD
MODEL N° 63A
(OPTIONAL)

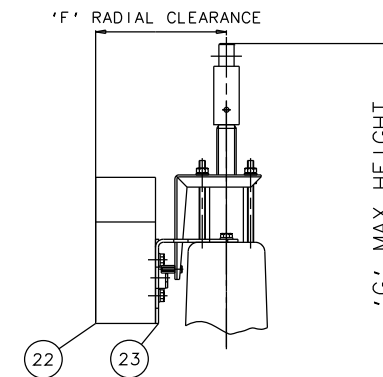
RUBBER/PTFE LINE DIAPHRAGM



EMERGENCY HANDWHEEL
(OPTIONAL)



'007' SWITCHBOX
(OPTIONAL)



VIAPOS-MIDI POSITIONER
(OPTIONAL)

Item	Component	Material
1	HANDWHEEL SPINDLE	MILD STEEL
2	UPPER SPRING PLATE	MILD STEEL
3	SPRING	MILD STEEL
4	SPRING COVER	SILICON ALUM.
5	BUSH/CYL. 'O' RING	RUBBER
6	DIAPHRAGM PLATE	FORGED STEEL
7	OPERATING DIAPHRAGM	RUBBER
8	MASTER SPINDLE	STAINLESS STEEL
9	BONNET	STEEL
10	COMPRESSOR	STAINLESS STEEL
11	LINE DIAPHRAGM	RUBBER/PTFE
12	SPINDLE ATTACHMENT	STAINLESS STEEL
13	UPPER CYLINDER	SILICON ALUM.
14	LOWER CYLINDER	SILICON ALUM.
15	HANDWHEEL	STEEL
16	BODY	CAST IRON
		SG IRON
		STAINLESS STEEL
		GUNMETAL
	CAST STEEL	
17	LOWER SPRING PLATE	MILD STEEL
18	FAIRCHILD REGULATOR	
19	MOUNTING BRACKET	STAINLESS STEEL
20	'007' SWITCHBOX	
21	MOUNTING BRACKET	STAINLESS STEEL
22	VIAPOS MIDI POSITIONER	
23	MOUNTING BRACKET	STAINLESS STEEL

Size(DN)	A	B	C	D	E	F	G
50	786	168	804	774	142	152	839
65	798	206	816	851	142	152	851
80	805	257	823	864	142	152	857

The information on this sheet is Private and Confidential and is the property of Crane Process Flow Technologies Limited and must not be published directly or indirectly in any manner whatsoever without the written permission of the Company and must not be used in any way detrimental to their interests.
© Crane Process Flow Technologies

CRANE Process Flow Technologies
A Crane Co. Company

Saunders
The Science Inside

Title
GENERAL ARRANGEMENT OF 'A' TYPE ES70 SPRING
OPENING MODULAR ACTUATOR (D8000) COMPLETE
WITH OPTIONS INCLUDING SWITCHES
FITTED ON SCREWED BODY

Drawn	JRD	Date	19.06.13	UNCONTROLLED IN HARD COPY FORMAT
Checked	RND	Date	19.06.13	
First Angle Projection Method E		DO NOT SCALE	Drawing No.	Issue.
			A-ES70-SCREWED	1