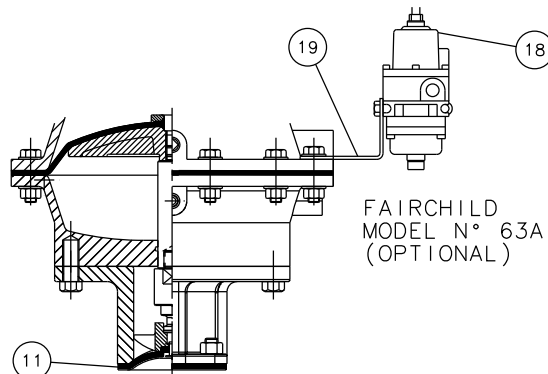
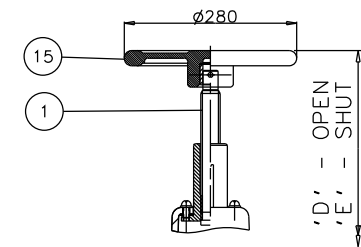


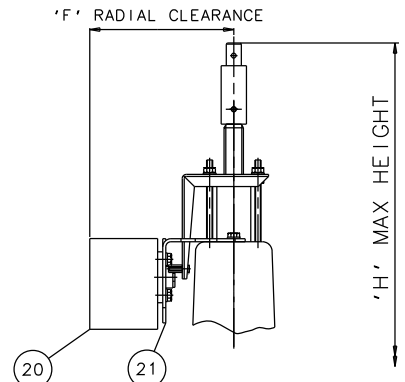
RUBBER LINE DIAPHRAGM



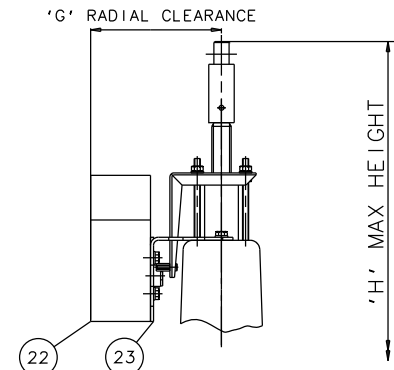
RUBBER/PTFE LINE DIAPHRAGM



EMERGENCY HANDWHEEL (OPTIONAL)



'007' SWITCHBOX (OPTIONAL)



VIAPOS-MIDI POSITIONER (OPTIONAL)

Item	Component	Material	lining
1	HANDWHEEL SPINDLE	MILD STEEL	
2	UPPER SPRING PLATE	MILD STEEL	
3	SPRING	MILD STEEL	
4	SPRING COVER	SILICON ALUM.	
5	BUSH/CYL. 'O' RING	RUBBER	
6	DIAPHRAGM PLATE	FORGED STEEL	
7	OPERATING DIAPHRAGM	RUBBER	
8	MASTER SPINDLE	STAINLESS STEEL	
9	BONNET	STEEL	
10	COMPRESSOR	STAINLESS STEEL	
11	LINE DIAPHRAGM	RUBBER/PTFE	
12	SPINDLE ATTACHMENT	STAINLESS STEEL	
13	UPPER CYLINDER	SILICON ALUM.	
14	LOWER CYLINDER	SILICON ALUM.	
15	HANDWHEEL	STEEL	
16	BODY	SG IRON	ETFE LINED PFA LINED PVDF LINED PP LINED
17	LOWER SPRING PLATE	MILD STEEL	
18	FAIRCHILD REGULATOR		
19	MOUNTING BRACKET	STAINLESS STEEL	
20	'007' SWITCHBOX		
21	MOUNTING BRACKET	STAINLESS STEEL	
22	VIAPOS MIDI POSITIONER		
23	MOUNTING BRACKET	STAINLESS STEEL	

Size(DN)	A	B	C	D	E	F	G	H
50	777	190	230	795	765	142	152	830
65	787	216	290	805	840	142	152	839
80	789	254	310	807	848	142	152	841
100	815	305	350	833	790	142	152	867

The information on this sheet is Private and Confidential and is the property of Crane Process Flow Technologies Limited and must not be published directly or indirectly in any manner whatsoever without the written permission of the Company and must not be used in any way detrimental to their interests.
 © Crane Process Flow Technologies

CRANE Process Flow Technologies
A Crane Co. Company

Saunders
The Science Inside

Title
 GENERAL ARRANGEMENT OF 'A' TYPE ES70 SPRING OPENING MODULAR ACTUATOR (D8000) COMPLETE WITH OPTIONS INCLUDING SWITCHES FITTED ON PLASTIC LINED FLANGED BODY

Drawn JRD Date 19.06.13 UNCONTROLLED IN
 Checked RND Date 19.06.13 HARD COPY FORMAT

First Angle Projection Method E DO NOT SCALE Drawing No. Issue.
 A-ES70-PLASTIC 1