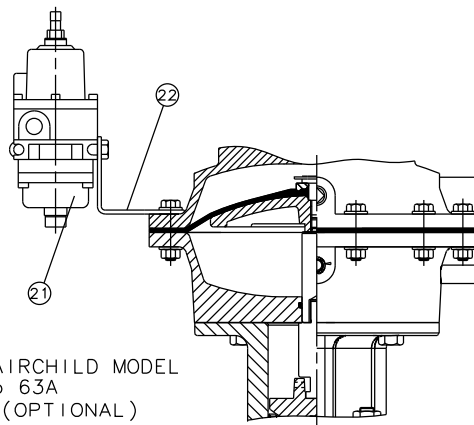
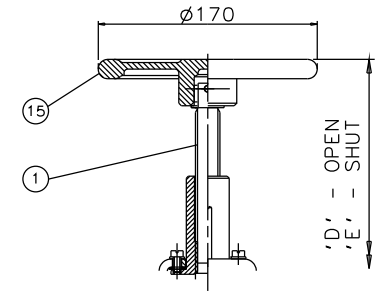


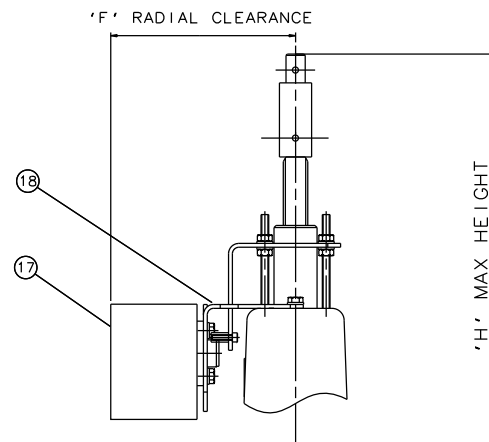
RUBBER LINE DIAPHRAGM



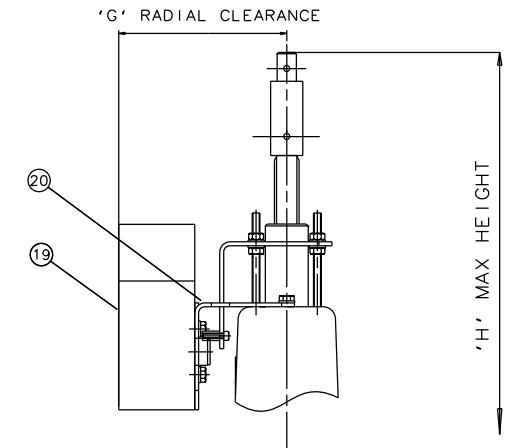
FAIRCHILD MODEL
No 63A
(OPTIONAL)



EMERGENCY HANDWHEEL
(OPTIONAL)



'007' SWITCHBOX
(OPTIONAL)



VIAPOS-MIDI POSITIONER
(OPTIONAL)

Item	Component	Material
1	HANDWHEEL SPINDLE	MILD STEEL
2	UPPER SPRING PLATE	STEEL
3	SPRING	STEEL
4	COVER	SILICON ALUM
5	CYLINDER 'O' RING	RUBBER
6	DIAPHRAGM PLATE	FORGED STEEL
7	OPERATING DIAPHRAGM	RUBBER
8	MASTER SPINDLE	STAINLESS STEEL
9	BONNET	CAST IRON
10	COMPRESSOR	CAST IRON
11	LINE DIAPHRAGM	RUBBER/PTFE
12	SPINDLE ATTACHMENT	STAINLESS STEEL
13	LOWER CYLINDER	SILICON ALUM
14	UPPER CYLINDER	SILICON ALUM
15	HANDWHEEL	CAST IRON
16	BODY	CAST IRON
		SG IRON
		STAINLESS STEEL
		GUNMETAL
17	'007' SWITCHBOX	CAST STEEL
18	MOUNTING BRACKET	STAINLESS STEEL
19	VIAPOS-MIDI POSITIONER	STAINLESS STEEL
20	MOUNTING BRACKET	STAINLESS STEEL
21	FAIRCHILD REGULATOR	STAINLESS STEEL
22	MOUNTING BRACKET	STAINLESS STEEL

Size(DN)	A	B	C	D	E	F	G	H
25	497	127	160	515	501	144	131	538
40	511	159	200	529	505	144	131	501
50	537	190	230	555	523	144	131	560
65	536	216	290	554	522	144	131	559
80	538	254	310	556	517	144	131	561

The information on this sheet is Private and Confidential and is the property of Crane Process Flow Technologies Limited and must not be published directly or indirectly in any manner whatsoever without the written permission of the Company and must not be used in any way detrimental to their interests.

Crane Process Flow Technologies

CRANE Process Flow Technologies
A Crane Co. Company

Saunders
The Science Inside

Title
GENERAL ARRANGEMENT OF 'A' TYPE ES69 SPRING
OPENING MODULAR ACTUATOR (C8000) COMPLETE
WITH OPTIONS INCLUDING SWITCHES FITTED ON
UNLINED FLANGED BODY

Drawn	NAW	Date	26.11.13	UNCONTROLLED IN HARD COPY FORMAT
Checked	RND	Date	26.11.13	
First Angle Projection Method E		DO NOT SCALE	Drawing No. A-ES69-UNLINED	Issue. 1