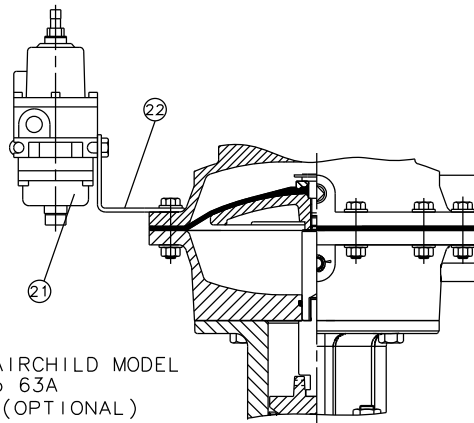
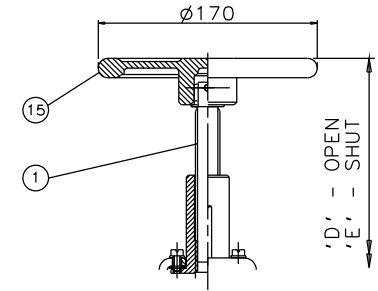


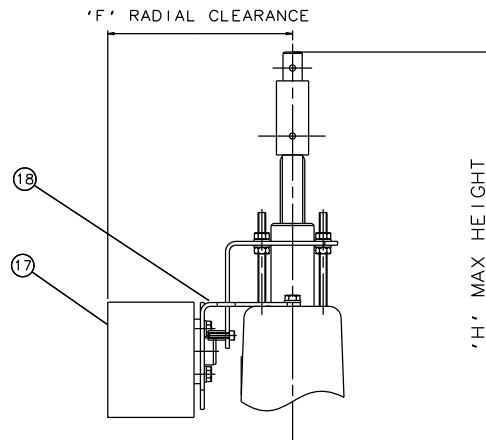
RUBBER LINE DIAPHRAGM



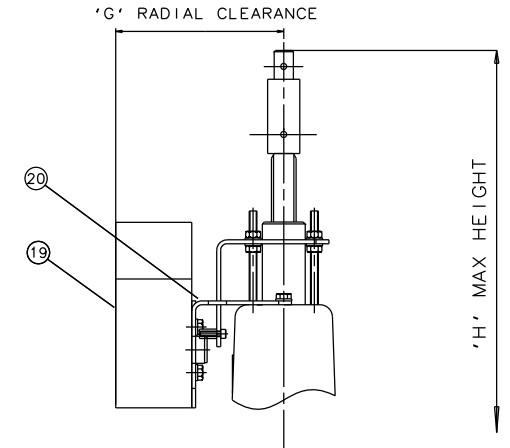
FAIRCHILD MODEL
No 63A
(OPTIONAL)



EMERGENCY HANDWHEEL
(OPTIONAL)



'007' SWITCHBOX
(OPTIONAL)



VIAPOS-MIDI POSITIONER
(OPTIONAL)

Item	Component	Material	Lining
1	HANDWHEEL SPINDLE	MILD STEEL	
2	UPPER SPRING PLATE	STEEL	
3	SPRING	STEEL	
4	COVER	SILICON ALUM	
5	CYLINDER 'O' RING	RUBBER	
6	DIAPHRAGM PLATE	FORGED STEEL	
7	OPERATING DIAPHRAGM	RUBBER	
8	MASTER SPINDLE	STAINLESS STEEL	
9	BONNET	CAST IRON	
10	COMPRESSOR	CAST IRON	
11	LINE DIAPHRAGM	RUBBER/PTFE	
12	SPINDLE ATTACHMENT	STAINLESS STEEL	
13	LOWER CYLINDER	SILICON ALUM	
14	UPPER CYLINDER	SILICON ALUM	
15	HANDWHEEL	CAST IRON	
16	BODY	SG IRON	ETFE LINED
			PFA LINED
			PVDF LINED
			PP LINED
17	'007' SWITCHBOX		
18	MOUNTING BRACKET	STAINLESS STEEL	
19	VIAPOS-MIDI POSITIONER		
20	MOUNTING BRACKET	STAINLESS STEEL	
21	FAIRCHILD REGULATOR		
22	MOUNTING BRACKET	STAINLESS STEEL	

Size(DN)	A	B	C	D	E	F	G	H
25	501	127	160	519	505	144	131	542
40	516	159	200	534	511	144	131	548
50	541	190	230	559	527	144	131	564
65	540	216	290	558	526	144	131	563
80	541	254	310	559	527	144	131	564

The information on this sheet is Private and Confidential and is the property of Crane Process Flow Technologies Limited and must not be published directly or indirectly in any manner whatsoever without the written permission of the Company and must not be used in any way detrimental to their interests.

Crane Process Flow Technologies

CRANE Process Flow Technologies
A Crane Co. Company

Saunders
The Science Inside

Title
GENERAL ARRANGEMENT OF 'A' TYPE ES69 SPRING
OPENING MODULAR ACTUATOR (C8000) COMPLETE
WITH OPTIONS INCLUDING SWITCHES
FITTED ON PLASTIC LINED FLANGED BODY

Drawn	NAW	Date	26.11.13	UNCONTROLLED IN HARD COPY FORMAT
Checked	RND	Date	26.11.13	
First Angle Projection Method E		DO NOT SCALE	Drawing No. A-ES69-PLASTIC	Issue. 1