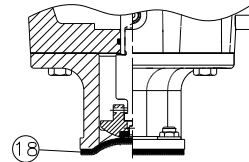
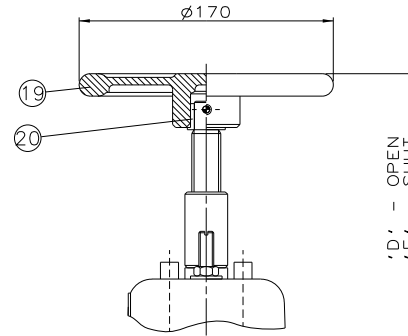


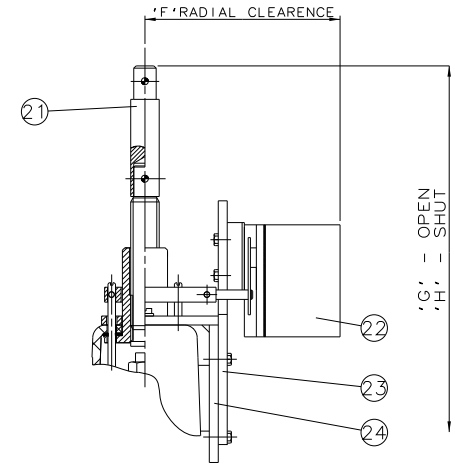
RUBBER LINE DIAPHRAGM



RUBBER/PTFE LINE DIAPHRAGM



EMERGENCY HANDWHEEL (OPTIONAL)



007 SWITCH BOX (OPTIONAL)

Item	Component	Material
1	HANDWHEEL SPINDLE	MILD STEEL
2	UPPER SPRING PLATE	MILD STEEL
3	SPRING	SPRING STEEL
4	COVER	SILICON ALUM.
5	LOWER SPRING PLATE	MILD STEEL
6	CYLINDER 'O' RING	NITRILE
7	UPPER CYLINDER	SILICON ALUM.
8	DIAPHRAGM PLATE	MILD STEEL
9	OPERATING DIAPHRAGM	RUBBER
10	LOWER CYLINDER	SILICON ALUM.
11	MASTER SPINDLE	STAINLESS STEEL
12	CYLINDER 'O' RING	NITRILE
13	SPINDLE ATTACHMENT	STAINLESS STEEL
14	BONNET	CAST IRON
15	COMPRESSOR	CAST STEEL
16	LINE DIAPHRAGM	RUBBER
17	BODY	CAST IRON
		SG IRON
		STAINLESS STEEL
		GUNMETAL
		CAST STEEL
18	LINE DIAPHRAGM	RUBBER / PTFE
19	HANDWHEEL	CAST IRON
20	HANDWHEEL ADAPTOR	MILD STEEL
21	HANDWHEEL EXTENSION	MILD STEEL
22	007 SWITCHBOX	
23	MOUNTING BRACKET	MILD STEEL
24	MOUNTING BRACKET	MILD STEEL

Size (DN)	A	B	C	D	E	F	G	H
15	382	108	130	396	389	144	446	439
20	377	117	150	391	382	144	441	432
25	389	127	160	403	391	144	453	441
40	401	159	200	415	398	144	465	448
50	428	190	230	442	421	144	492	471

The information on this sheet is Private and Confidential and is the property of Crane Process Flow Technologies Limited and must not be published directly or indirectly in any manner whatsoever without the written permission of the Company and must not be used in any way detrimental to their interests.  
© Crane Process Flow Technologies

<b>CRANE</b>	Process Flow Technologies A Crane Co. Company	<b>Saunders</b> The Science Inside	
Title GENERAL ARRANGEMENT OF 'A' TYPE ES68 SPRING OPENING MODULAR ACTUATOR (B8000) COMPLETE WITH OPTIONS FITTED ON UNLINED FLANGED BODY			
Drawn RI	Date 15.06.13	UNCONTROLLED IN HARD COPY FORMAT	
Checked RND	Date 15.06.13		
First Angle Projection Method E	DO NOT SCALE	Drawing No. A-ES68-UNLINED	Issue. 1