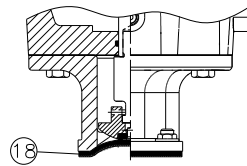
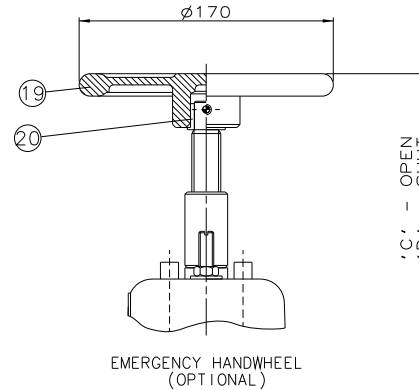


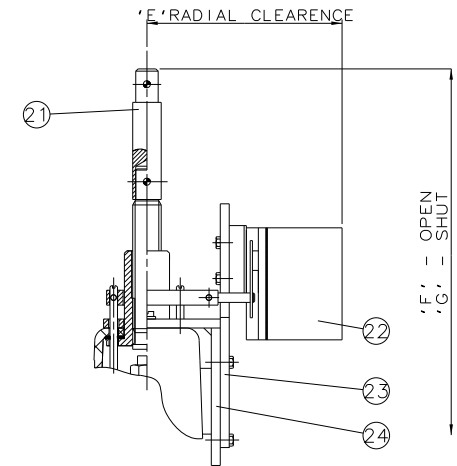
RUBBER LINE DIAPHRAGM



RUBBER/PTFE LINE DIAPHRAGM



EMERGENCY HANDWHEEL (OPTIONAL)



007 SWITCH BOX (OPTIONAL)

Item	Component	Material
1	HANDWHEEL SPINDLE	MILD STEEL
2	UPPER SPRING PLATE	MILD STEEL
3	SPRING	SPRING STEEL
4	COVER	SILICON ALUM.
5	LOWER SPRING PLATE	MILD STEEL
6	CYLINDER 'O' RING	NITRILE
7	UPPER CYLINDER	SILICON ALUM.
8	DIAPHRAGM PLATE	MILD STEEL
9	OPERATING DIAPHRAGM	RUBBER
10	LOWER CYLINDER	SILICON ALUM.
11	MASTER SPINDLE	STAINLESS STEEL
12	CYLINDER 'O' RING	NITRILE
13	SPINDLE ATTACHMENT	STAINLESS STEEL
14	BONNET	CAST IRON
15	COMPRESSOR	CAST STEEL
16	LINE DIAPHRAGM	RUBBER
17	BODY	CAST IRON SG IRON STAINLESS STEEL GUNMETAL
18	LINE DIAPHRAGM	RUBBER / PTFE
19	HANDWHEEL	CAST IRON
20	HANDWHEEL ADAPTOR	MILD STEEL
21	HANDWHEEL EXTENSION	MILD STEEL
22	007 SWITCHBOX	
23	MOUNTING BRACKET	MILD STEEL
24	MOUNTING BRACKET	MILD STEEL

Size (DN)	A	B	C	D	E	F	G
15	374	108	388	381	144	438	431
20	380	117	394	385	144	444	435
25	400	127	414	402	144	464	452
40	409	159	423	406	144	473	456
50	441	190	455	434	144	505	484

The information on this sheet is Private and Confidential and is the property of Crane Process Flow Technologies Limited and must not be published directly or indirectly in any manner whatsoever without the written permission of the Company and must not be used in any way detrimental to their interests.
© Crane Process Flow Technologies



Title
GENERAL ARRANGEMENT OF 'A' TYPE ES68 SPRING OPENING MODULAR ACTUATOR (B8000) COMPLETE WITH OPTIONS FITTED ON SCREWED BODY

Drawn	RI	Date	15.06.13	UNCONTROLLED IN HARD COPY FORMAT
Checked	RND	Date	15.06.13	
First Angle Projection Method		DO NOT SCALE	Drawing No.	Issue.
			A-ES68-SCREWED	1