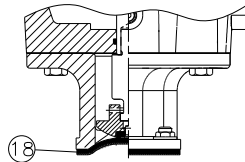
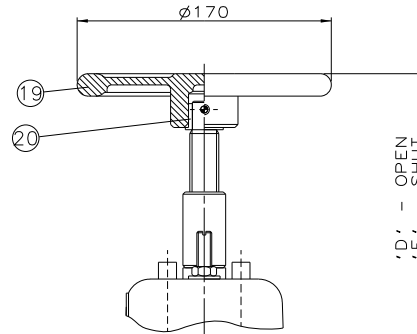


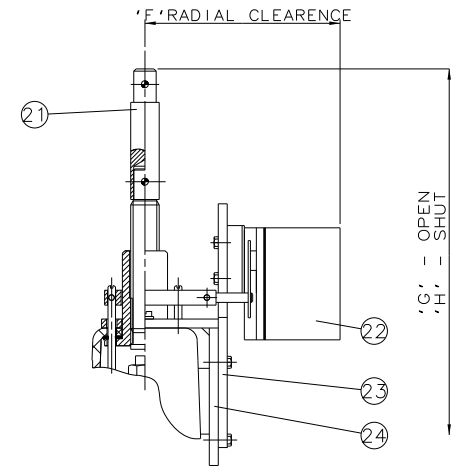
RUBBER LINE DIAPHRAGM



RUBBER/PTFE LINE DIAPHRAGM



EMERGENCY HANDWHEEL (OPTIONAL)



007 SWITCH BOX (OPTIONAL)

Item	Component	Material	Lining
1	HANDWHEEL SPINDLE	MILD STEEL	
2	UPPER SPRING PLATE	MILD STEEL	
3	SPRING	SPRING STEEL	
4	COVER	SILICON ALUM.	
5	LOWER SPRING PLATE	MILD STEEL	
6	CYLINDER 'O' RING	NITRILE	
7	UPPER CYLINDER	SILICON ALUM.	
8	DIAPHRAGM PLATE	MILD STEEL	
9	OPERATING DIAPHRAGM	RUBBER	
10	LOWER CYLINDER	SILICON ALUM.	
11	MASTER SPINDLE	STAINLESS STEEL	
12	CYLINDER 'O' RING	NITRILE	
13	SPINDLE ATTACHMENT	STAINLESS STEEL	
14	BONNET	CAST IRON	
15	COMPRESSOR	CAST STEEL	
16	LINE DIAPHRAGM	RUBBER	
17	BODY	CAST IRON	HARD RUBBER
		SG IRON	SOFT RUBBER
			BUTYL RUBBER
		CAST STEEL	NEOPRENE RUBBER
18	LINE DIAPHRAGM	RUBBER / PTFE	
19	HANDWHEEL	CAST IRON	
20	HANDWHEEL ADAPTOR	MILD STEEL	
21	HANDWHEEL EXTENSION	MILD STEEL	
22	007 SWITCHBOX		
23	MOUNTING BRACKET	MILD STEEL	
24	MOUNTING BRACKET	MILD STEEL	

SIZE (DN)	A	B	C	D	E	F	G	H
20	383	117	150	397	388	144	447	438
25	392	127	160	406	394	144	456	444
40	404	159	200	418	401	144	468	451
50	430	190	230	444	423	144	494	473

The information on this sheet is Private and Confidential and is the property of Crane Process Flow Technologies Limited and must not be published directly or indirectly in any manner whatsoever without the written permission of the Company and must not be used in any way detrimental to their interests.  
© Crane Process Flow Technologies

<b>CRANE</b> Process Flow Technologies A Crane Co. Company	<b>Saunders</b> The Science Inside		
Title GENERAL ARRANGEMENT OF 'A' TYPE ES68 SPRING OPENING MODULAR ACTUATOR (B8000) COMPLETE WITH OPTIONS FITTED ON RUBBER LINED FLANGED BODY			
Drawn RI	Date 15.06.13	UNCONTROLLED IN HARD COPY FORMAT	
Checked RND	Date 15.06.13		
First Angle Projection Method E	DO NOT SCALE	Drawing No. A-ES68-RUBBER	Issue. 1