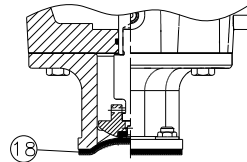
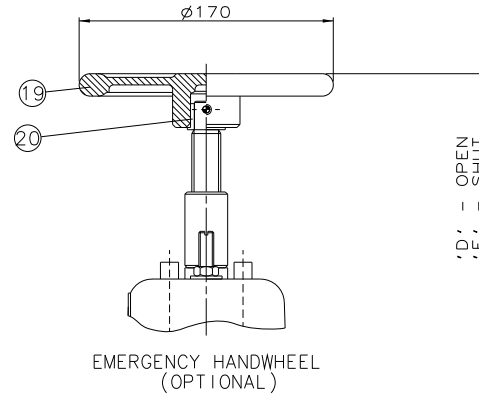


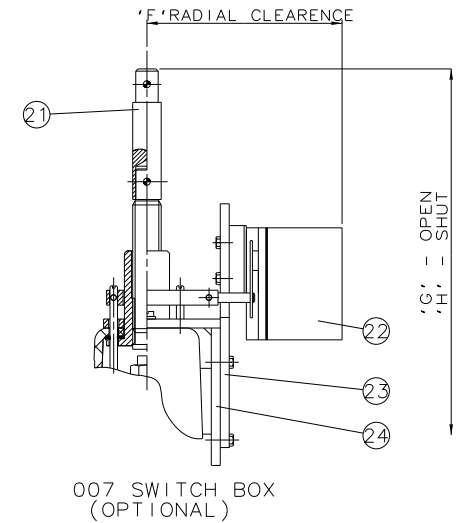
RUBBER LINE DIAPHRAGM



RUBBER/PTFE LINE DIAPHRAGM



EMERGENCY HANDWHEEL (OPTIONAL)



007 SWITCH BOX (OPTIONAL)

Item	Component	Material	Lining
1	HANDWHEEL SPINDLE	MILD STEEL	
2	UPPER SPRING PLATE	MILD STEEL	
3	SPRING	SPRING STEEL	
4	COVER	SILICON ALUM.	
5	LOWER SPRING PLATE	MILD STEEL	
6	CYLINDER 'O' RING	NITRILE	
7	UPPER CYLINDER	SILICON ALUM.	
8	DIAPHRAGM PLATE	MILD STEEL	
9	OPERATING DIAPHRAGM	RUBBER	
10	LOWER CYLINDER	SILICON ALUM.	
11	MASTER SPINDLE	STAINLESS STEEL	
12	CYLINDER 'O' RING	NITRILE	
13	SPINDLE ATTACHMENT	STAINLESS STEEL	
14	BONNET	CAST IRON	
15	COMPRESSOR	CAST STEEL	
16	LINE DIAPHRAGM	RUBBER	
17	BODY	CAST IRON	
18	LINE DIAPHRAGM	RUBBER / PTFE	
19	HANDWHEEL	CAST IRON	
20	HANDWHEEL ADAPTOR	MILD STEEL	
21	HANDWHEEL EXTENSION	MILD STEEL	
22	007 SWITCHBOX		
23	MOUNTING BRACKET	MILD STEEL	
24	MOUNTING BRACKET	MILD STEEL	

SIZE(DN)	A	B	C	D	E	F	G	H
15	383	108	130	397	390	144	447	440
20	378	117	150	392	383	144	442	433
25	390	127	160	404	392	144	454	442
40	402	159	200	416	399	144	466	449
50	429	190	230	443	422	144	493	472

The information on this sheet is Private and Confidential and is the property of Crane Process Flow Technologies Limited and must not be published directly or indirectly in any manner whatsoever without the written permission of the Company and must not be used in any way detrimental to their interests.
© Crane Process Flow Technologies

CRANE Process Flow Technologies
A Crane Co. Company

Saunders
The Science Inside

Title
GENERAL ARRANGEMENT OF 'A' TYPE ES68 SPRING OPENING MODULAR ACTUATOR (B8000) COMPLETE WITH OPTIONS FITTED ON GLASS LINED FLANGED BODY

Drawn RI Date 15.06.13 UNCONTROLLED IN
Checked RND Date 15.06.13 HARD COPY FORMAT

First Angle Projection Method E DO NOT SCALE Drawing No. A-ES68-GLASS Issue. 1