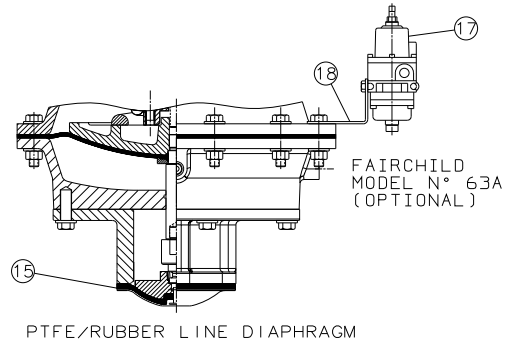
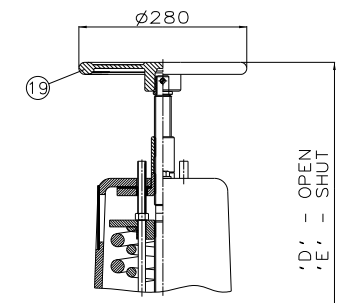


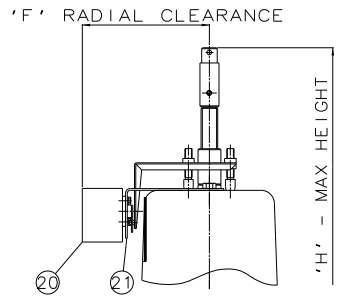
RUBBER LINE DIAPHRAGM



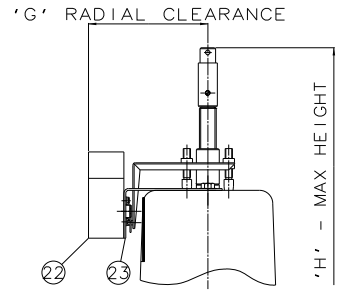
PTFE/RUBBER LINE DIAPHRAGM



EMERGENCY HANDWHEEL (OPTIONAL)



'007' SWITCHBOX (OPTIONAL)



VIAPOS-MIDI POSITIONER (OPTIONAL)

Item	Component	Material
1	HANDWHEEL SPINDLE	MILD STEEL
2	UPPER SPRINGS PLATE	FORGED STEEL
3	OUTER SPRING	STEEL
4	INNER SPRING	STEEL
5	COVER	SILICON ALUMINIUM
6	DIAPHRAGM PLATE	FORGED STEEL
7	OPERATING DIAPHRAGM	RUBBER
8	LOWER CYLINDER	SILICON ALUMINIUM
9	LOWER CYLINDER O RING	RUBBER
10	MASTER SPINDLE	STAINLESS STEEL
11	BONNET	CAST IRON
12	SPINDLE ATTACHMENT	STAINLESS STEEL
13	COMPRESSOR	CAST IRON
14	LINE DIAPHRAGM	RUBBER
15		RUBBER/PTFE
16	BODY	CAST IRON
		SG IRON
		STAINLESS STEEL
		GUNMETAL
		CAST STEEL
17	FAIRCHILD REGULATOR	
18	MOUNTING BRACKET	STAINLESS STEEL
19	HANDWHEEL	CAST IRON
20	'007' SWITCHBOX	
21	MOUNTING BRACKET	STAINLESS STEEL
22	VIAPOS MIDI POSITIONER	
23	MOUNTING BRACKET	STAINLESS STEEL

Size (DN)	A	B	C	D	E	F	G	H
80	788	254	310	819	777	212	199	855
100	809	305	350	840	794	212	199	876
125	828	356	400	859	806	212	199	895
150	899	406	480	930	879	212	199	966

The information on this sheet is Private and Confidential and is the property of Crane Process Flow Technologies Limited and must not be published directly or indirectly in any manner whatsoever without the written permission of the Company and must not be used in any way detrimental to their interests.
© Crane Process Flow Technologies

CRANE Process Flow Technologies
A Crane Co. Company

Saunders
The Science Inside

Title
GENERAL ARRANGEMENT OF 'A' TYPE ES64 SPRING CLOSING MODULAR ACTUATOR (E8400) COMPLETE WITH OPTIONS FITTED ON UNLINED FLANGED BODY

Drawn RI Date 15.06.12 UNCONTROLLED IN
Checked RND Date 15.06.12 HARD COPY FORMAT

First Angle Projection DO NOT SCALE Drawing No. A-ES64-UNLINED Issue. 1