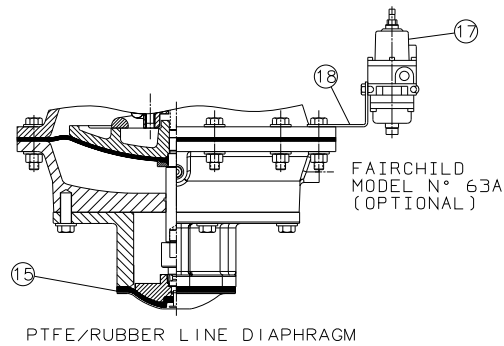
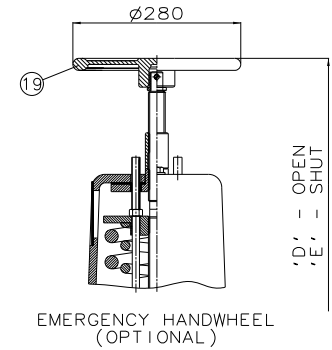


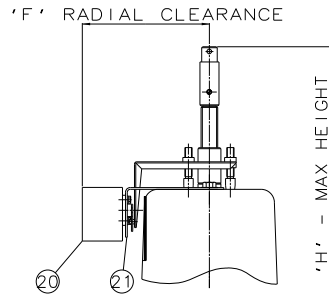
RUBBER LINE DIAPHRAGM



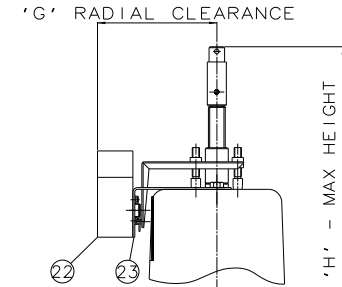
PTFE/RUBBER LINE DIAPHRAGM



EMERGENCY HANDWHEEL (OPTIONAL)



'007' SWITCHBOX (OPTIONAL)



VIAPOS-MIDI POSITIONER (OPTIONAL)

Item	Component	Material	Lining
1	HANDWHEEL SPINDLE	MILD STEEL	
2	UPPER SPRINGS PLATE	FORGED STEEL	
3	OUTER SPRING	STEEL	
4	INNER SPRING	STEEL	
5	COVER	SILICON ALUMINIUM	
6	DIAPHRAGM PLATE	FORGED STEEL	
7	OPERATING DIAPHRAGM	RUBBER	
8	LOWER CYLINDER	SILICON ALUMINIUM	
9	LOWER CYLINDER O RING	RUBBER	
10	MASTER SPINDLE	STAINLESS STEEL	
11	BONNET	CAST IRON	
12	SPINDLE ATTACHMENT	STAINLESS STEEL	
13	COMPRESSOR	CAST IRON	
14	LINE DIAPHRAGM	RUBBER	
15		RUBBER/PTFE	
16	BODY	CAST IRON	HARD RUBBER
		SG IRON	SOFT RUBBER
			BUTYL RUBBER
		CAST STEEL	NEOPRENE RUBBER
17	FAIRCHILD REGULATOR		
18	MOUNTING BRACKET	STAINLESS STEEL	
19	HANDWHEEL	CAST IRON	
20	'007' SWITCHBOX		
21	MOUNTING BRACKET	STAINLESS STEEL	
22	VIAPOS MIDI POSITIONER		
23	MOUNTING BRACKET	STAINLESS STEEL	

Size (DN)	A	B	C	D	E	F	G	H
80	792	254	310	823	781	212	199	859
100	812	305	350	843	797	212	199	879
125	831	356	400	862	809	212	199	898
150	902	406	480	935	882	212	199	969

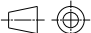
The information on this sheet is Private and Confidential and is the property of Crane Process Flow Technologies Limited and must not be published directly or indirectly in any manner whatsoever without the written permission of the Company and must not be used in any way detrimental to their interests.
© Crane Process Flow Technologies

CRANE Process Flow Technologies
A Crane Co. Company

Saunders
The Science Inside

Title
GENERAL ARRANGEMENT OF 'A' TYPE ES64 SPRING CLOSING MODULAR ACTUATOR (E8400) COMPLETE WITH OPTIONS FITTED ON RUBBER LINED FLANGED BODY

Drawn RI Date 15.06.12 UNCONTROLLED IN
Checked RND Date 15.06.12 HARD COPY FORMAT

First Angle Projection  DO NOT SCALE Drawing No. A-ES64-RUBBER Issue. 1