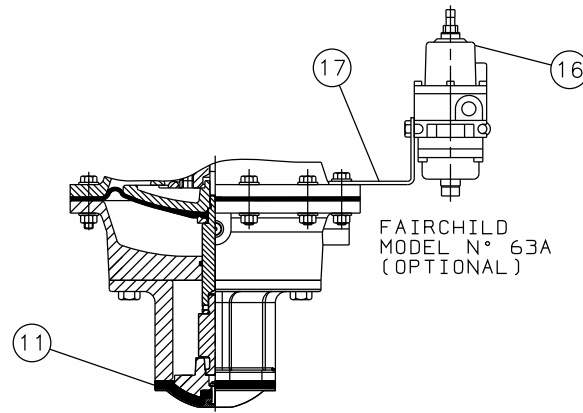
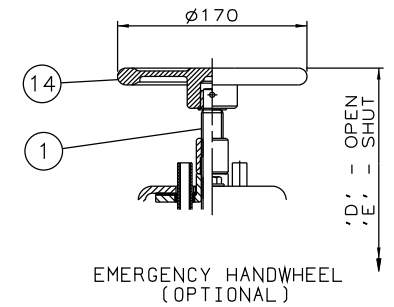


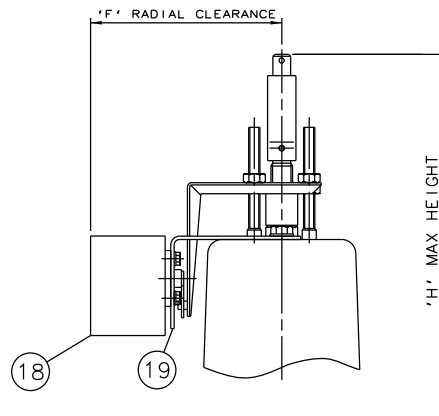
RUBBER LINE DIAPHRAGM



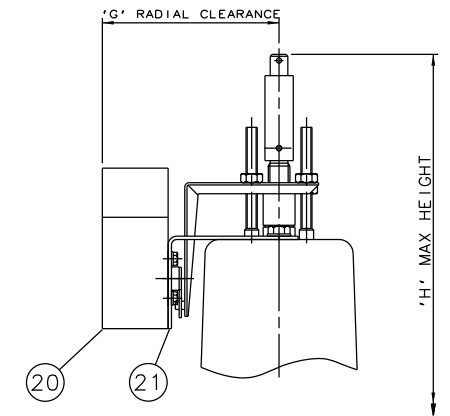
PTFE/RUBBER LINE DIAPHRAGM



EMERGENCY HANDWHEEL (OPTIONAL)



'007' SWITCHBOX (OPTIONAL)



VIAPOS-MIDI POSITIONER (OPTIONAL)

Item	Component	Material										
1	HANDWHEEL SPINDLE	MILD STEEL										
2	UPPER SPRING PLATE	MILD STEEL										
3	SPRINGS	STEEL										
4	COVER	SILICON ALUM.										
5	CYLINDER O RING	NITRILE										
6	DIAPHRAGM PLATE	FORGED STEEL										
7	OPERATING DIAPHRAGM	RUBBER										
8	MASTER SPINDLE	STAINLESS STEEL										
9	BONNET	CAST IRON										
10	COMPRESSOR	CAST IRON										
11	LINE DIAPHRAGM	RUBBER/PTFE										
12	SPINDLE ATTACHMENT	STAINLESS STEEL										
13	LOWER CYLINDER	SILICON ALUM.										
14	HANDWHEEL	CAST IRON										
15	BODY	CAST IRON	Size(DN)	A	B	C	D	E	F	G	H	
		SG IRON	25	463	127	160	481	468	172	159	542	
		STAINLESS STEEL	40	476	159	200	494	472	172	159	555	
		GUNMETAL										
		CAST STEEL										
16	FAIRCHILD REGULATOR											
17	MOUNTING BRACKET	STAINLESS STEEL	50	503	190	230	521	489	172	159	582	
18	'007' SWITCHBOX											
19	MOUNTING BRACKET	STAINLESS STEEL	65	502	216	290	520	486	172	159	581	
20	VIAPOS MIDI POSITIONER											
21	MOUNTING BRACKET	STAINLESS STEEL	80	504	254	310	522	485	172	159	583	

The information on this sheet is Private and Confidential and is the property of Crane Process Flow Technologies Limited and must not be published directly or indirectly in any manner whatsoever without the written permission of the Company and must not be used in any way detrimental to their interests.

© Crane Process Flow Technologies

**CRANE** Process Flow Technologies  
A Crane Co. Company

**Saunders**  
The Science Inside

Title  
GENERAL ARRANGEMENT OF 'A' TYPE ES62 SPRING CLOSING MODULAR ACTUATOR (C8400) COMPLETE WITH OPTIONS INCLUDING SWITCHES FITTED ON UNLINED FLANGED BODY

Drawn	JRD	Date	19.06.13	UNCONTROLLED IN HARD COPY FORMAT
Checked	RND	Date	19.06.13	
First Angle Projection Method E		DO NOT SCALE	Drawing No.	Issue.
			A-ES62-UNLINED	1