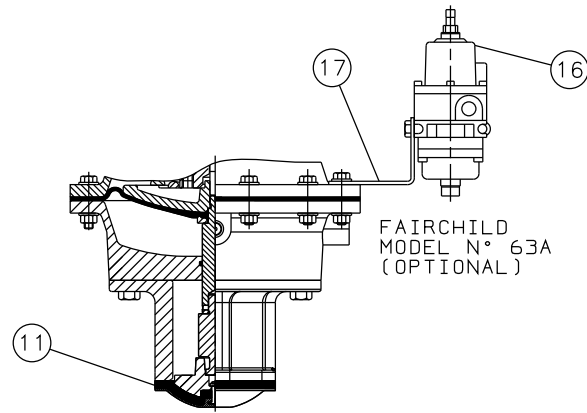
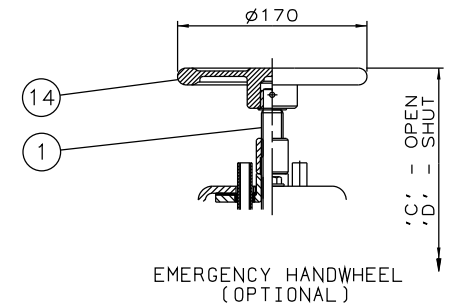


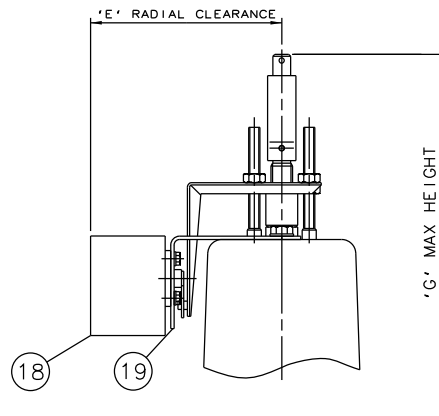
RUBBER LINE DIAPHRAGM



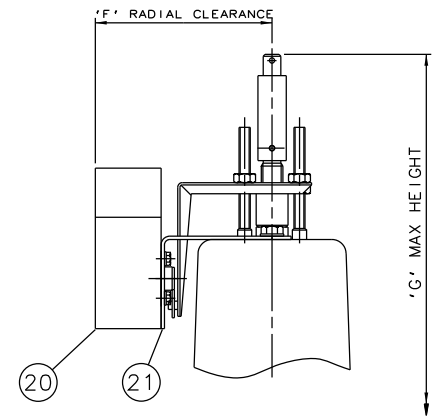
PTFE/RUBBER LINE DIAPHRAGM



EMERGENCY HANDWHEEL (OPTIONAL)



'007' SWITCHBOX (OPTIONAL)



VIAPOS-MIDI POSITIONER (OPTIONAL)

Item	Component	Material								
1	HANDWHEEL SPINDLE	MILD STEEL								
2	UPPER SPRING PLATE	MILD STEEL								
3	SPRINGS	STEEL								
4	COVER	SILICON ALUM.								
5	CYLINDER O RING	NITRILE								
6	DIAPHRAGM PLATE	FORGED STEEL								
7	OPERATING DIAPHRAGM	RUBBER								
8	MASTER SPINDLE	STAINLESS STEEL								
9	BONNET	CAST IRON								
10	COMPRESSOR	CAST IRON								
11	LINE DIAPHRAGM	RUBBER/PTFE								
12	SPINDLE ATTACHMENT	STAINLESS STEEL								
13	LOWER CYLINDER	SILICON ALUM.	Size(DN)	A	B	C	D	E	F	G
14	HANDWHEEL	CAST IRON	25	474	111	492	479	172	159	553
15	BODY	CAST IRON	40	484	143	502	480	172	159	563
		SG IRON								
16	FAIRCHILD REGULATOR	STAINLESS STEEL	50	516	168	534	502	172	159	595
17	MOUNTING BRACKET	STAINLESS STEEL	65	517	206	535	499	172	159	596
18	'007' SWITCHBOX	STAINLESS STEEL								
19	MOUNTING BRACKET	STAINLESS STEEL								
20	VIAPOS MIDI POSITIONER	STAINLESS STEEL	80	523	257	541	504	172	159	602
21	MOUNTING BRACKET	STAINLESS STEEL								

The information on this sheet is Private and Confidential and is the property of Crane Process Flow Technologies Limited and must not be published directly or indirectly in any manner whatsoever without the written permission of the Company and must not be used in any way detrimental to their interests.  
 © Crane Process Flow Technologies

<b>CRANE</b>	Process Flow Technologies A Crane Co. Company	<b>Saunders</b> The Science Inside
--------------	--	---------------------------------------

Title  
 GENERAL ARRANGEMENT OF 'A' TYPE ES62 SPRING CLOSING MODULAR ACTUATOR (C8400) COMPLETE WITH OPTIONS INCLUDING SWITCHES FITTED ON SCREWED BODY

Drawn	JRD	Date	19.06.13	UNCONTROLLED IN HARD COPY FORMAT
Checked	RND	Date	19.06.13	
First Angle Projection Method E		DO NOT SCALE	Drawing No.	Issue.
			A-ES62-SCREWED	1