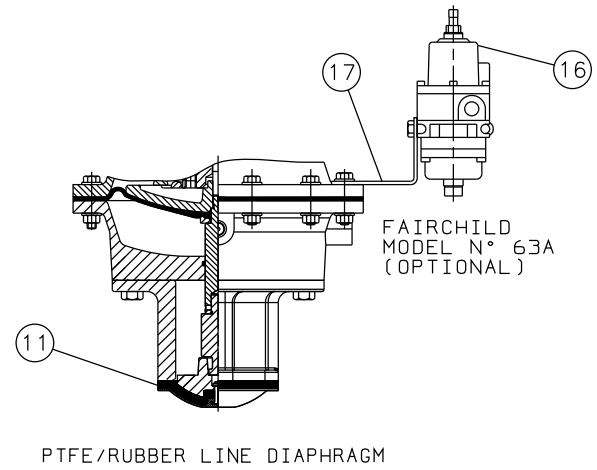
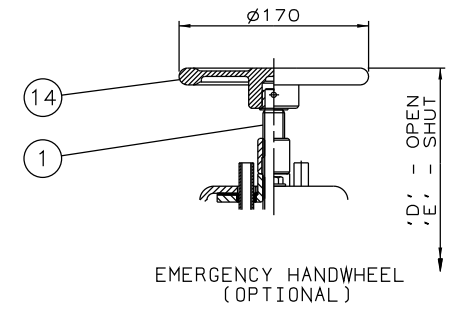


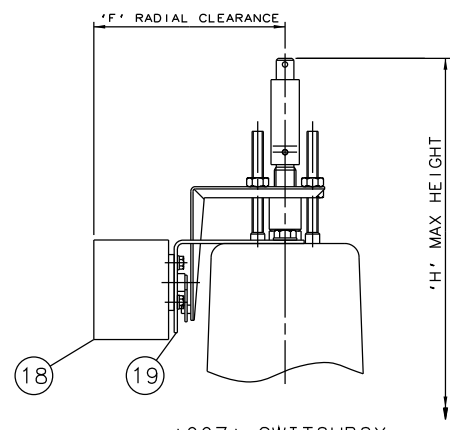
RUBBER LINE DIAPHRAGM



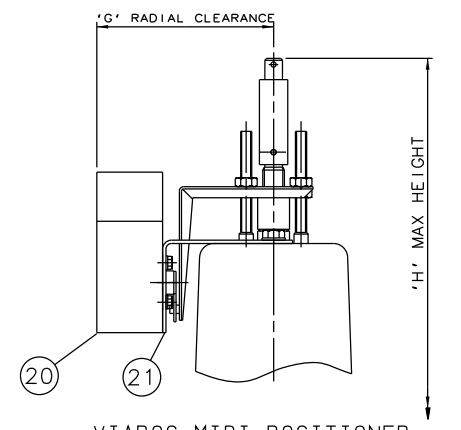
PTFE/RUBBER LINE DIAPHRAGM



EMERGENCY HANDWHEEL (OPTIONAL)



'007' SWITCHBOX (OPTIONAL)



VIAPOS-MIDI POSITIONER (OPTIONAL)

Item	Component	Material	Lining
1	HANDWHEEL SPINDLE	MILD STEEL	
2	UPPER SPRING PLATE	MILD STEEL	
3	SPRINGS	STEEL	
4	COVER	SILICON ALUM.	
5	CYLINDER O RING	NITRILE	
6	DIAPHRAGM PLATE	FORGED STEEL	
7	OPERATING DIAPHRAGM	RUBBER	
8	MASTER SPINDLE	STAINLESS STEEL	
9	BONNET	CAST IRON	
10	COMPRESSOR	CAST IRON	
11	LINE DIAPHRAGM	RUBBER/PTFE	
12	SPINDLE ATTACHMENT	STAINLESS STEEL	
13	LOWER CYLINDER	SILICON ALUM.	
14	HANDWHEEL	CAST IRON	
15	BODY	SG IRON	ETFE LINED PFA LINED PVDF LINED PP LINED
16	FAIRCHILD REGULATOR		
17	MOUNTING BRACKET	STAINLESS STEEL	
18	'007' SWITCHBOX		
19	MOUNTING BRACKET	STAINLESS STEEL	
20	VIAPOS MIDI POSITIONER		
21	MOUNTING BRACKET	STAINLESS STEEL	

Size(DN)	A	B	C	D	E	F	G	H
25	467	127	160	485	472	172	159	546
40	481	159	200	499	477	172	159	560
50	507	190	230	525	493	172	159	586
65	506	216	290	524	490	172	159	585
80	507	254	310	525	488	172	159	586

The information on this sheet is Private and Confidential and is the property of Crane Process Flow Technologies Limited and must not be published directly or indirectly in any manner whatsoever without the written permission of the Company and must not be used in any way detrimental to their interests.
 © Crane Process Flow Technologies

CRANE Process Flow Technologies
A Crane Co. Company

Saunders
The Science Inside

Title
 GENERAL ARRANGEMENT OF 'A' TYPE ES62 SPRING CLOSING MODULAR ACTUATOR (C8400) COMPLETE WITH OPTIONS INCLUDING SWITCHES FITTED ON PLASTIC LINED FLANGED BODY

Drawn JRD Date 19.06.13 UNCONTROLLED IN
 Checked RND Date 19.06.13 HARD COPY FORMAT

First Angle Projection Method E DO NOT SCALE Drawing No. A-ES62-PLASTIC Issue. 1