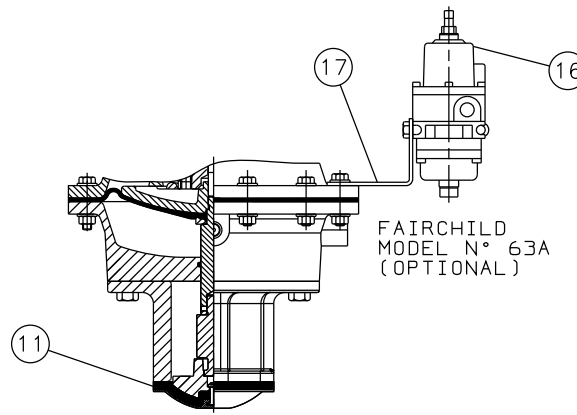
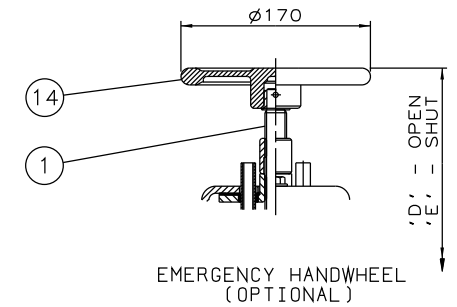


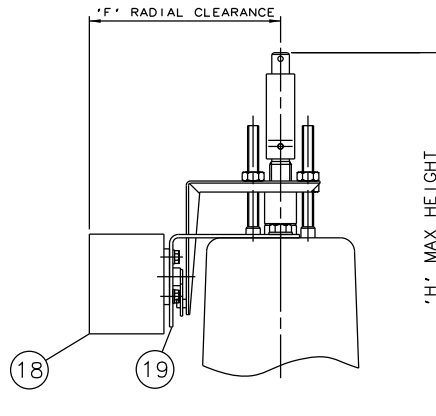
RUBBER LINE DIAPHRAGM



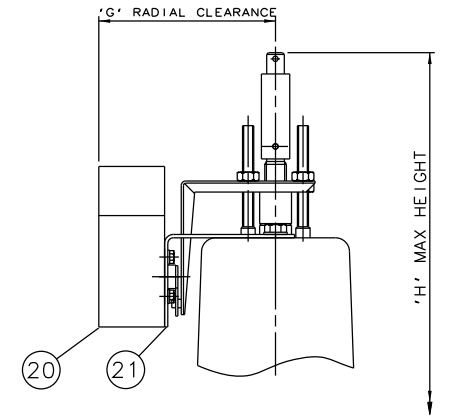
PTFE/RUBBER LINE DIAPHRAGM



EMERGENCY HANDWHEEL (OPTIONAL)



'007' SWITCHBOX (OPTIONAL)



VIAPOS-MIDI POSITIONER (OPTIONAL)

Item	Component	Material	Lining
1	HANDWHEEL SPINDLE	MILD STEEL	
2	UPPER SPRING PLATE	MILD STEEL	
3	SPRINGS	STEEL	
4	COVER	SILICON ALUM.	
5	CYLINDER O RING	NITRILE	
6	DIAPHRAGM PLATE	FORGED STEEL	
7	OPERATING DIAPHRAGM	RUBBER	
8	MASTER SPINDLE	STAINLESS STEEL	
9	BONNET	CAST IRON	
10	COMPRESSOR	CAST IRON	
11	LINE DIAPHRAGM	RUBBER/PTFE	
12	SPINDLE ATTACHMENT	STAINLESS STEEL	
13	LOWER CYLINDER	SILICON ALUM.	
14	HANDWHEEL	CAST IRON	
15	BODY	CAST IRON	GLASS
16	FAIRCHILD REGULATOR		
17	MOUNTING BRACKET	STAINLESS STEEL	
18	'007' SWITCHBOX		
19	MOUNTING BRACKET	STAINLESS STEEL	
20	VIAPOS MIDI POSITIONER		
21	MOUNTING BRACKET	STAINLESS STEEL	

Size(DN)	A	B	C	D	E	F	G	H
25	464	127	160	482	469	172	159	543
40	477	159	200	495	473	172	159	556
50	504	190	230	522	490	172	159	583
65	503	216	290	521	487	172	159	582
80	505	254	310	523	486	172	159	584

The information on this sheet is Private and Confidential and is the property of Crane Process Flow Technologies Limited and must not be published directly or indirectly in any manner whatsoever without the written permission of the Company and must not be used in any way detrimental to their interests.  
© Crane Process Flow Technologies

**CRANE** Process Flow Technologies  
A Crane Co. Company

**Saunders**  
The Science Inside

Title  
GENERAL ARRANGEMENT OF 'A' TYPE ES62 SPRING CLOSING MODULAR ACTUATOR (C8400) COMPLETE WITH OPTIONS INCLUDING SWITCHES FITTED ON GLASS LINED FLANGED BODY

Drawn	JRD	Date	19.06.13	UNCONTROLLED IN HARD COPY FORMAT	
Checked	RND	Date	19.06.13		
First Angle Projection Method E		DO NOT SCALE	Drawing No.	A-ES62-GLASS	Issue.
					1