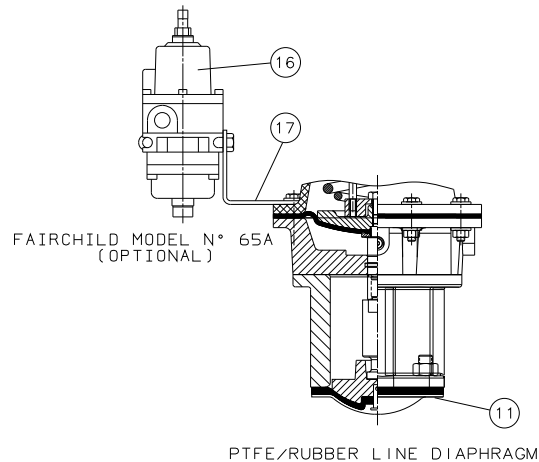
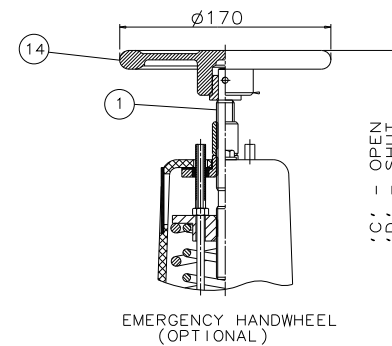


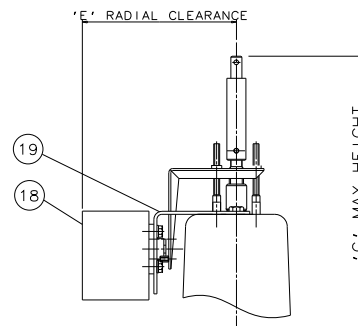
RUBBER LINE DIAPHRAGM



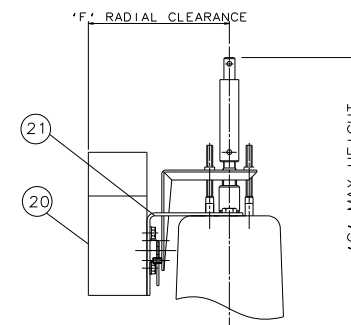
PTFE/RUBBER LINE DIAPHRAGM



EMERGENCY HANDWHEEL (OPTIONAL)



'007' SWITCHBOX (OPTIONAL)



VIAPOS-MIDI POSITIONER (OPTIONAL)

| Item | Component | Material | | | | | | | | |
|------|------------------------|-----------------|----|-----|------|-----|-----|-----|-----|-----|
| 1 | HANWHEEL SPINDLE | MILD STEEL | | | | | | | | |
| 2 | UPPER SPRING PLATE | MILD STEEL | | | | | | | | |
| 3 | SPRINGS | STEEL | | | | | | | | |
| 4 | COVER | SILICON ALUM. | | | | | | | | |
| 5 | CYLINDER O RING | NITRILE | | | | | | | | |
| 6 | DIAPHRAGM PLATE | FORGED STEEL | | | | | | | | |
| 7 | OPERATING DIAPHRAGM | RUBBER | | | | | | | | |
| 8 | MASTER SPINDLE | STAINLESS STEEL | | | | | | | | |
| 9 | BONNET | CAST IRON | | | | | | | | |
| 10 | COMPRESSOR | CAST IRON | | | | | | | | |
| 11 | LINE DIAPHRAGM | RUBBER/PTFE | | | | | | | | |
| 12 | SPINDLE ATTACHMENT | STAINLESS STEEL | | | | | | | | |
| 13 | LOWER CYLINDER | SILICON ALUM. | | | | | | | | |
| 14 | HANDWHEEL | CAST IRON | 15 | 400 | 63.5 | 438 | 419 | 155 | 142 | 501 |
| 15 | BODY | CAST IRON | 20 | 416 | 83 | 431 | 420 | 155 | 142 | 502 |
| 16 | FAIRCHILD REGULATOR | STAINLESS STEEL | 25 | 434 | 111 | 449 | 437 | 155 | 142 | 520 |
| 17 | MOUNTING BRACKET | STAINLESS STEEL | | | | | | | | |
| 18 | '007' SWITCHBOX | STAINLESS STEEL | 40 | 443 | 144 | 458 | 437 | 155 | 142 | 529 |
| 19 | MOUNTING BRACKET | STAINLESS STEEL | | | | | | | | |
| 20 | VIAPOS MIDI POSITIONER | STAINLESS STEEL | 50 | 474 | 168 | 490 | 467 | 155 | 142 | 561 |
| 21 | MOUNTING BRACKET | STAINLESS STEEL | | | | | | | | |

The information on this sheet is Private and Confidential and is the property of Crane Process Flow Technologies Limited and must not be published directly or indirectly in any manner whatsoever without the written permission of the Company and must not be used in any way detrimental to their interests.
© Crane Process Flow Technologies

CRANE Process Flow Technologies
A Crane Co. Company

Saunders
The Science Inside

Title
GENERAL ARRANGEMENT OF 'A' TYPE ES61 SPRING CLOSING MODULAR ACTUATOR (B8400) COMPLETE WITH OPTIONS INCLUDING SWITCHES FITTED ON SCREWED BODY

Drawn NAW Date 26.11.13 UNCONTROLLED IN HARD COPY FORMAT
Checked RND Date 26.11.13

First Angle Projection DO NOT SCALE Drawing No. A-ES61-SCREWED Issue. 1