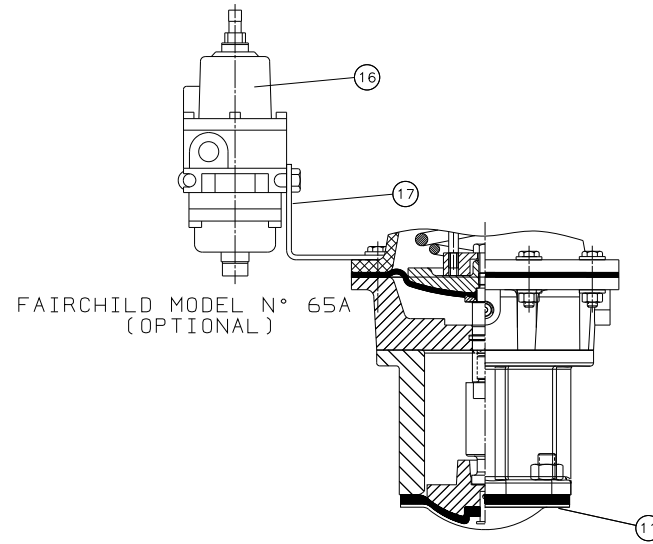
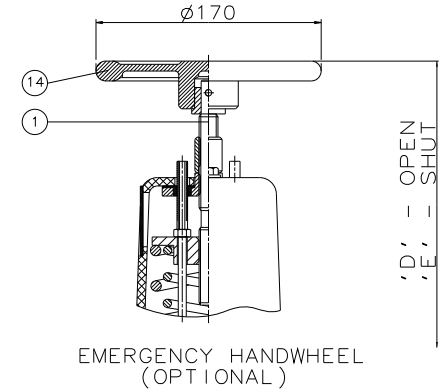


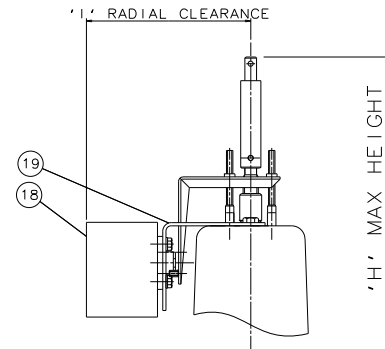
RUBBER LINE DIAPHRAGM



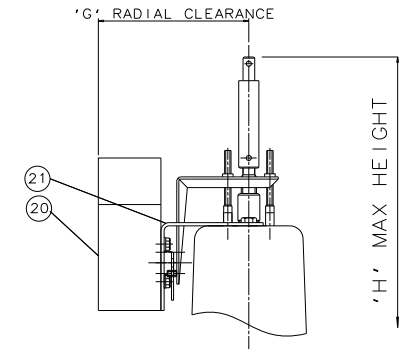
PTFE/RUBBER LINE DIAPHRAGM



EMERGENCY HANDWHEEL (OPTIONAL)



'007' SWITCHBOX (OPTIONAL)



VIAPOS-MIDI POSITIONER (OPTIONAL)

Item	Component	Material	Lining
1	HANWHEEL SPINDLE	MILD STEEL	
2	UPPER SPRING PLATE	MILD STEEL	
3	SPRINGS	STEEL	
4	COVER	SILICON ALUM.	
5	CYLINDER O RING	NITRILE	
6	DIAPHRAGM PLATE	FORGED STEEL	
7	OPERATING DIAPHRAGM	RUBBER	
8	MASTER SPINDLE	STAINLESS STEEL	
9	BONNET	CAST IRON	
10	COMPRESSOR	CAST IRON	
11	LINE DIAPHRAGM	RUBBER/PTFE	
12	SPINDLE ATTACHMENT	STAINLESS STEEL	
13	LOWER CYLINDER	SILICON ALUM.	
14	HANDWHEEL	CAST IRON	
15	BODY	SG IRON	ETFE LINED PFA LINED PVDF LINED PP LINED
16	FAIRCHILD REGULATOR		
17	MOUNTING BRACKET	STAINLESS STEEL	
18	'007' SWITCHBOX		
19	MOUNTING BRACKET	STAINLESS STEEL	
20	VIAPOS MIDI POSITIONER		
21	MOUNTING BRACKET	STAINLESS STEEL	

Size(DN)	A	B	C	D	E	F	G	H
* 15	420	N/A	130	435	424	155	142	506
20	419	117	150	434	423	155	142	505
25	427	127	160	442	430	155	142	513
40	440	159	200	455	434	155	142	526
50	465	190	230	481	458	155	142	552
* PFA LINED ONLY								

The information on this sheet is Private and Confidential and is the property of Crane Process Flow Technologies Limited and must not be published directly or indirectly in any manner whatsoever without the written permission of the Company and must not be used in any way detrimental to their interests.
© Crane Process Flow Technologies

CRANE Process Flow Technologies
A Crane Co. Company

Saunders
The Science Inside

Title			
GENERAL ARRANGEMENT OF 'A' TYPE ES61 SPRING CLOSING MODULAR ACTUATOR (B8400) COMPLETE WITH OPTIONS INCLUDING SWITCHES FITTED ON PLASTIC LINED FLANGED BODY			
Drawn	NAW	Date 25.11.13	UNCONTROLLED IN HARD COPY FORMAT
Checked	RND	Date 25.11.13	
First Angle Projection Method E		DO NOT SCALE	Drawing No. A-ES61-PLASTIC
			Issue. 1