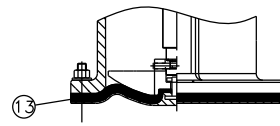
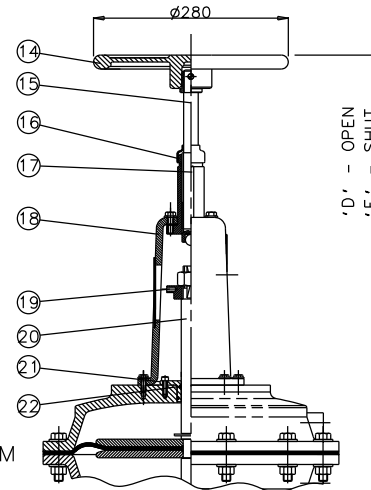


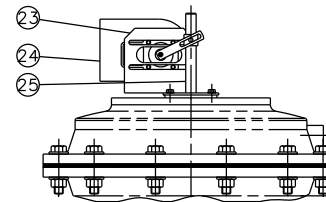
RUBBER LINE DIAPHRAGM



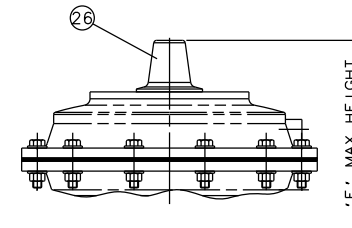
RUBBER / PTFE LINE DIAPHRAGM



MANUAL OVERRIDE WITH HANDWHEEL (OPTIONAL)



'007' SWITCHBOX (OPTIONAL)



Item	Component	Material
1	UPPER CYLINDER	SILICON ALUM.
2	UPPER DIAPHRAGM PLATE	MILD STEEL
3	LOWER DIAPHRAGM PLATE	MILD STEEL
4	OPERATING DIAPHRAGM	RUBBER
5	LOWER CYLINDER	SILICON ALUM.
6	CYLINDER 'O' RING	NITRILE
7	MASTER SPINDLE	STAINLESS STEEL
8	SPINDLE ATTACHMENT	STAINLESS STEEL
9	BONNET	CAST IRON
10	COMPRESSOR	CAST IRON
11	LINE DIAPHRAGM	RUBBER
12	BODY	CAST IRON
		S.G. IRON
		STAINLESS STEEL
		GUNMETAL
13	LINE DIAPHRAGM	RUBBER/PTFE
14	HANDWHEEL	CAST IRON
15	HANDWHEEL SPINDLE	MILD STEEL
16	SPINDLE BUSH	MILD STEEL
17	INDICATOR ROD	MILD STEEL
18	COVER	SILICON ALUM.
19	UPPER SPRING PLATE	MILD STEEL
20	GUIDE ROD	MILD STEEL
21	SEALING PLATE	MILD STEEL
22	SEALING PLT. 'O' RING	RUBBER
23	MOUNTING BRACKET	STAINLESS STEEL
24	'007' SWITCHBOX	
25	LIFTING ROD	STAINLESS STEEL
26	INDICATOR COVER	POLAMIDE

Size (DN)	A	B	C	D	E	F
100	357	305	350	832	771	431
125	385	356	400	860	799	459
150	451	406	480	926	865	525

The information on this sheet is Private and Confidential and is the property of Crane Process Flow Technologies Limited and must not be published directly or indirectly in any manner whatsoever without the written permission of the Company and must not be used in any way detrimental to their interests.  
 © Crane Process Flow Technologies

<b>CRANE</b>	Process Flow Technologies A Crane Co. Company	<b>Saunders</b> The Science Inside
--------------	--	---------------------------------------

Title  
 GENERAL ARRANGEMENT OF 'A' TYPE ES57 DOUBLE ACTING ACTUATOR (E8200) COMPLETE WITH OPTIONS FITTED ON UNLINED FLANGED BODY

Drawn RI	Date 14.08.13	UNCONTROLLED IN HARD COPY FORMAT	
Checked RND	Date 14.08.13	UNCONTROLLED IN HARD COPY FORMAT	
First Angle Projection Method E	DO NOT SCALE	Drawing No. A-ES57-UNLINED	Issue. 1