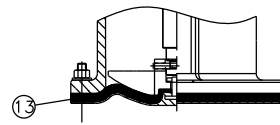
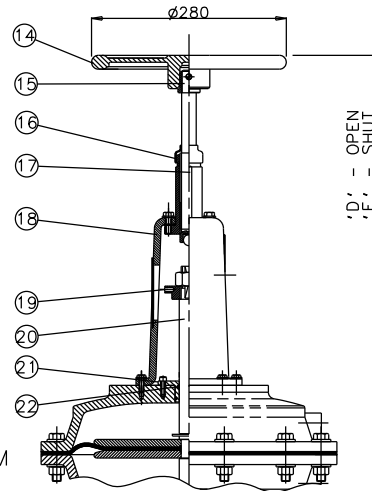


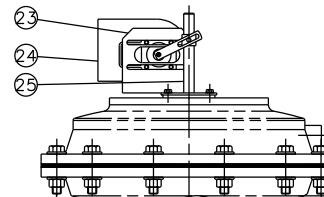
RUBBER LINE DIAPHRAGM



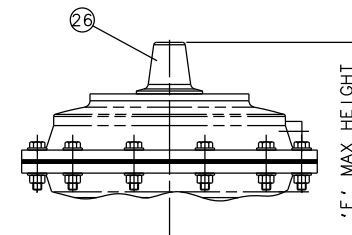
RUBBER / PTFE LINE DIAPHRAGM



MANUAL OVERRIDE WITH HANDWHEEL (OPTIONAL)



'007' SWITCHBOX (OPTIONAL)



'F' MAX HEIGHT

Item	Component	Material	Lining
1	UPPER CYLINDER	SILICON ALUM.	
2	UPPER DIAPHRAGM PLATE	MILD STEEL	
3	LOWER DIAPHRAGM PLATE	MILD STEEL	
4	OPERATING DIAPHRAGM	RUBBER	
5	LOWER CYLINDER	SILICON ALUM.	
6	MASTER SPINDLE	STAINLESS STEEL	
7	CYLINDER 'O' RING	NITRILE	
8	SPINDLE ATTACHMENT	STAINLESS STEEL	
9	BONNET	CAST IRON	
10	COMPRESSOR	CAST IRON	
11	LINE DIAPHRAGM	RUBBER	
12	BODY	CAST IRON	HARD RUBBER
		SG IRON	SOFT RUBBER
		CAST STEEL	BUTYL RUBBER
			NEOPRENE RUBBER
13	LINE DIAPHRAGM	RUBBER/PTFE	
14	HANDWHEEL	CAST IRON	
15	HANDWHEEL SPINDLE	MILD STEEL	
16	SPINDLE BUSH	MILD STEEL	
17	INDICATOR ROD	MILD STEEL	
18	COVER	SILICON ALUM.	
19	UPPER SPRING PLATE	MILD STEEL	
20	GUIDE ROD	MILD STEEL	
21	SEALING PLATE	MILD STEEL	
22	SEALING PLT. 'O' RING	RUBBER	
23	MOUNTING BRACKET	STAINLESS STEEL	
24	'007' SWITCHBOX		
25	LIFTING ROD	STAINLESS STEEL	
26	INDICATOR COVER	POLAMIDE	

Size (DN)	A	B	C	D	E	F
100	360	305	350	835	774	434
125	388	356	400	863	802	462
150	454	406	480	929	868	528

The information on this sheet is Private and Confidential and is the property of Crane Process Flow Technologies Limited and must not be published directly or indirectly in any manner whatsoever without the written permission of the Company and must not be used in any way detrimental to their interests.
© Crane Process Flow Technologies

CRANE	Process Flow Technologies A Crane Co. Company	Saunders The Science Inside
--------------	--	---------------------------------------

Title
GENERAL ARRANGEMENT OF 'A' TYPE ES57 DOUBLE ACTING ACTUATOR (E8200) COMPLETE WITH OPTIONS FITTED ON RUBBER LINED FLANGED BODY

Drawn RI	Date 14.08.13	UNCONTROLLED IN HARD COPY FORMAT	
Checked RND	Date 14.08.13		
First Angle Projection Method E	DO NOT SCALE	Drawing No. A-ES57-RUBBER	Issue. 1