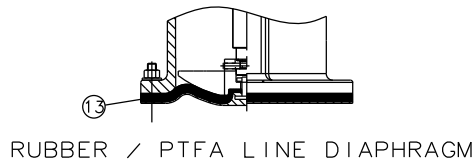
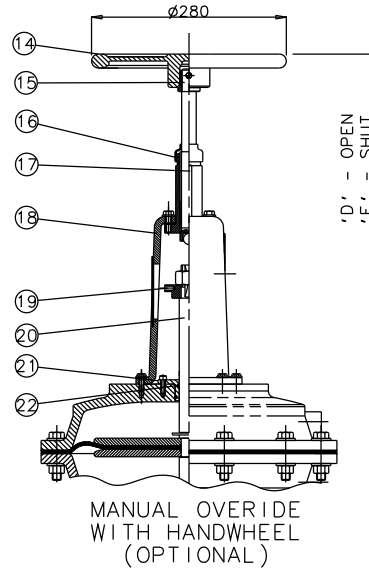


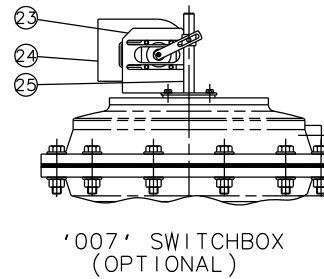
RUBBER LINE DIAPHRAGM



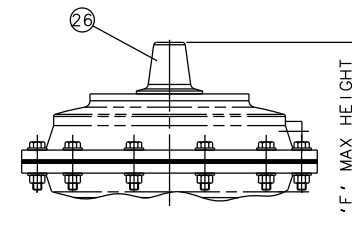
RUBBER / PTFE LINE DIAPHRAGM



MANUAL OVERRIDE WITH HANDWHEEL (OPTIONAL)



'007' SWITCHBOX (OPTIONAL)



Item	Component	Material	Lining
1	UPPER CYLINDER	SILICON ALUM.	
2	UPPER DIAPHRAGM PLATE	MILD STEEL	
3	LOWER DIAPHRAGM PLATE	MILD STEEL	
4	OPERATING DIAPHRAGM	RUBBER	
5	LOWER CYLINDER	SILICON ALUM.	
6	MASTER SPINDLE	STAINLESS STEEL	
7	CYLINDER 'O' RING	NITRILE	
8	SPINDLE ATTACHMENT	STAINLESS STEEL	
9	BONNET	CAST IRON	
10	COMPRESSOR	CAST IRON	
11	LINE DIAPHRAGM	RUBBER	
12	BODY	S.G. IRON	PVDF LINED ETFE LINED PP LINED PFA LINED
13	LINE DIAPHRAGM	RUBBER/PTFE	
14	HANDWHEEL	CAST IRON	
15	HANDWHEEL SPINDLE	MILD STEEL	
16	SPINDLE BUSH	MILD STEEL	
17	INDICATOR ROD	MILD STEEL	
18	COVER	SILICON ALUM.	
19	UPPER SPRING PLATE	MILD STEEL	
20	GUIDE ROD	MILD STEEL	
21	SEALING PLATE	MILD STEEL	
22	SEALING PLT. 'O' RING	RUBBER	
23	MOUNTING BRACKET	STAINLESS STEEL	
24	'007' SWITCHBOX		
25	LIFTING ROD	STAINLESS STEEL	
26	INDICATOR COVER	POLAMIDE	

Size(DN)	A	B	C	D	E	F
100	362	305	350	837	776	436
150	454	406	480	929	868	528

The information on this sheet is Private and Confidential and is the property of Crane Process Flow Technologies Limited and must not be published directly or indirectly in any manner whatsoever without the written permission of the Company and must not be used in any way detrimental to their interests.  
© Crane Process Flow Technologies

<b>CRANE</b>	Process Flow Technologies A Crane Co. Company	<b>Saunders</b> The Science Inside
--------------	--	---------------------------------------

Title  
GENERAL ARRANGEMENT OF 'A' TYPE ES57 DOUBLE ACTING ACTUATOR (E8200) COMPLETE WITH OPTIONS FITTED ON PLASTIC LINED FLANGED BODY

Drawn RI	Date 14.08.13	UNCONTROLLED IN HARD COPY FORMAT	
Checked RND	Date 14.08.13	UNCONTROLLED IN HARD COPY FORMAT	
First Angle Projection Method E	DO NOT SCALE	Drawing No. A-ES57-PLASTIC	Issue. 1