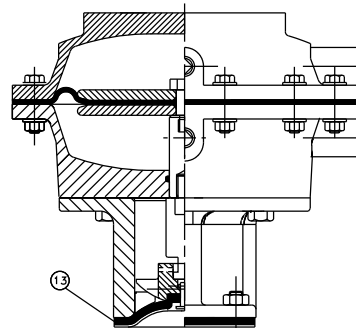
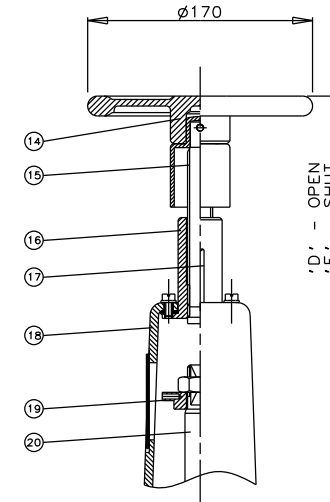


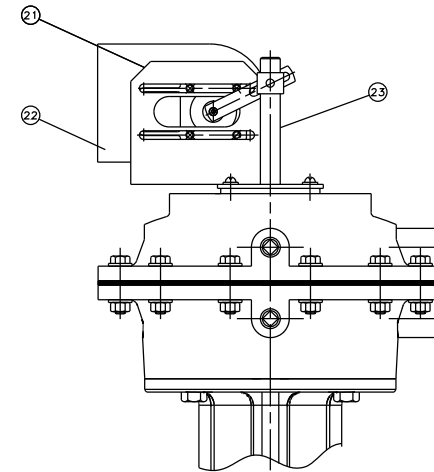
RUBBER LINE DIAPHRAGM



RUBBER/PTFE LINE DIAPHRAGM



MANUAL OVERRIDE WITH HANDWHEEL (OPTIONAL)



'007' SWITCHBOX (OPTIONAL)

Item	Component	Material						
1	UPPER CYLINDER	MILD STEEL						
2	UPPER DIAPHRAGM PLATE	MILD STEEL						
3	LOWER DIAPHRAGM PLATE	MILD STEEL						
4	OPERATING DIAPHRAGM	RUBBER						
5	LOWER CYLINDER	SILICON ALUM.						
6	CYLINDER 'O' RING	NITRILE						
7	SPINDLE	STAINLESS STEEL						
8	SPINDLE ADAPTER	STAINLESS STEEL						
9	BONNET	CAST IRON						
10	COMPRESSOR	CAST IRON						
11	LINE DIAPHRAGM	RUBBER						
12	BODY	CAST IRON						
		SG IRON						
		STAINLESS STEEL						
		GUNMETAL						
13	LINE DIAPHRAGM	RUBBER/PTFE	Size(DN)	A	B	C	D	E
14	HANDWHEEL	CAST IRON	25	222	127	160	543	530
15	HANDWHEEL SPINDLE	MILD STEEL	40	235	159	200	556	534
16	SPINDLE BUSH	MILD STEEL						
17	INDICATOR ROD	MILD STEEL						
18	COVER	SILICON ALUM.	50	261	190	230	583	550
19	UPPER SPRING PLATE	MILD STEEL						
20	GUIDE ROD	MILD STEEL						
21	MOUNTING BRACKET	STAINLESS STEEL	65	261	217	290	583	550
22	'007' SWITCHBOX							
23	LIFTING ROD	STAINLESS STEEL	80	262	254	310	584	551

The information on this sheet is Private and Confidential and is the property of Crane Process Flow Technologies Limited and must not be published directly or indirectly in any manner whatsoever without the written permission of the Company and must not be used in any way detrimental to their interests.  
© Crane Process Flow Technologies

**CRANE** Process Flow Technologies  
A Crane Co. Company

**Saunders**  
The Science Inside

Title			
GENERAL ARRANGEMENT OF 'A' TYPE ES55 DOUBLE ACTING MODULAR ACTUATOR (C8200) COMPLETE WITH OPTIONS INCLUDING SWITCHES FITTED ON UNLINED FLANGED BODY			
Drawn	NAW	Date	02.12.13
Checked	RND	Date	02.12.13
First Angle Projection Method E		DO NOT SCALE	
Drawing No.		Issue.	
A-ES55-UNLINED		1	

UNCONTROLLED IN HARD COPY FORMAT