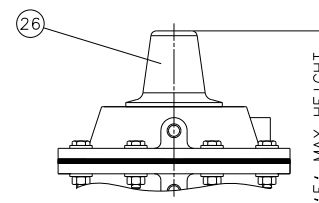
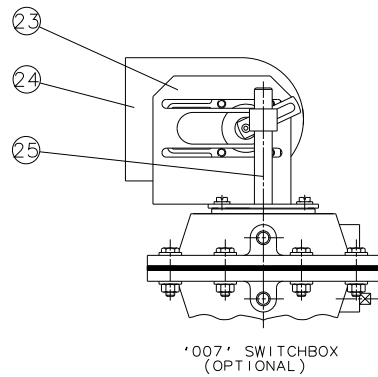
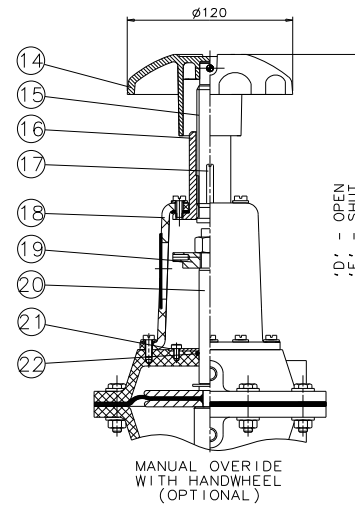
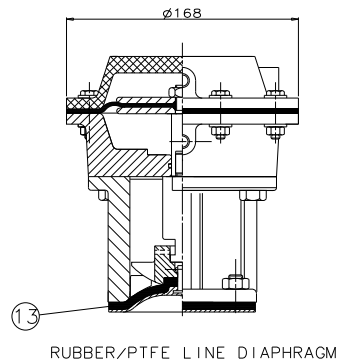


RUBBER LINE DIAPHRAGM



Item	Component	Material
1	UPPER CYLINDER	SILICON ALUM.
2	UPPER DIAPHRAGM PLATE	MILD STEEL
3	LOWER DIAPHRAGM PLATE	MILD STEEL
4	OPERATING DIAPHRAGM	RUBBER
5	LOWER CYLINDER	SILICON ALUM.
6	CYLINDER 'O' RING	NITRILE
7	MASTER SPINDLE	STAINLESS STEEL
8	SPINDLE ADAPTOR	STAINLESS STEEL
9	BONNET	CAST IRON
10	COMPRESSOR	CAST IRON
11	LINE DIAPHRAGM	RUBBER
12	BODY	CAST IRON
		SG IRON
		STAINLESS STEEL
		GUNMETAL
CAST STEEL		
13	PTFE LINE DIAPHRAGM	RUBBER/PTFE
14	HANDWHEEL	CAST IRON
15	HANDWHEEL SPINDLE	MILD STEEL
16	SPINDLE BUSH	MILD STEEL
17	INDICATOR ROD	MILD STEEL
18	COVER	SILICON ALUM.
19	UPPER SPRING PLATE	MILD STEEL
20	GUIDE ROD	MILD STEEL
21	SEALING PLATE	MILD STEEL
22	SEALING PLATE 'O' RING	RUBBER
23	MOUNTING BRACKET	STAINLESS STEEL
24	'007' SWITCHBOX	
25	LIFTING ROD	STAINLESS STEEL
26	INDICATOR COVER	POLYAMIDE

Size(DN)	A	B	C	D	E	F
15	156	108	130	367	346	211
20	162	117	150	373	352	217
25	171	127	160	382	361	226
40	183	159	200	394	373	238
50	208	190	230	419	398	263

The information on this sheet is Private and Confidential and is the property of Crane Process Flow Technologies Limited and must not be published directly or indirectly in any manner whatsoever without the written permission of the Company and must not be used in any way detrimental to their interests.
© Crane Process Flow Technologies

CRANE	Process Flow Technologies A Crane Co. Company	Saunders The Science Inside
--------------	--	---------------------------------------

Title
GENERAL ARRANGEMENT OF 'A' TYPE ES54 DOUBLE ACTING MODULAR ACTUATOR (B8200) COMPLETE WITH OPTIONS FITTED ON UNLINED FLANGED BODY

Drawn	RI	Date	14.08.13	UNCONTROLLED IN HARD COPY FORMAT
Checked	JRD	Date	14.08.13	
First Angle Projection Method E		DO NOT SCALE	Drawing No.	Issue.
			A-ES54-UNLINED	1