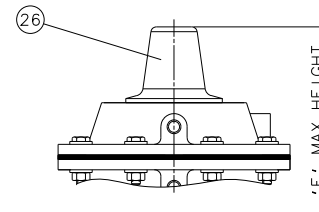
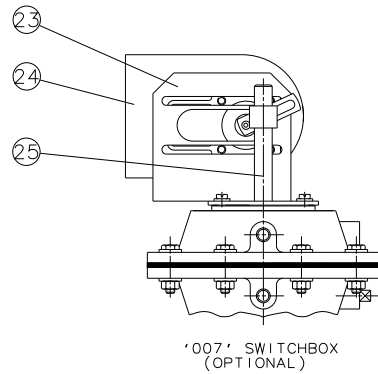
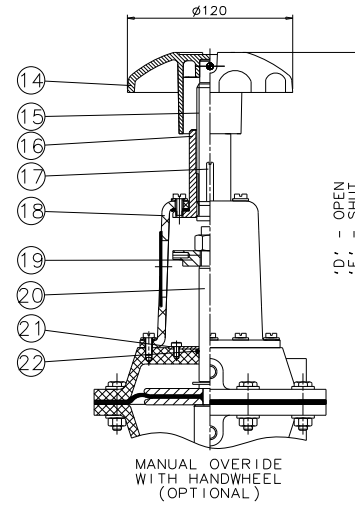
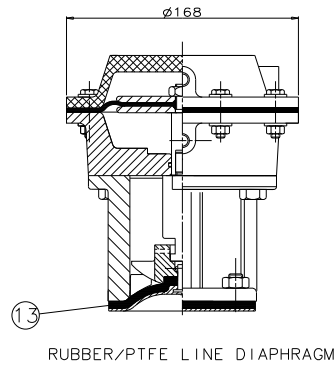


RUBBER LINE DIAPHRAGM



Item	Component	Material	Lining
1	UPPER CYLINDER	SILICON ALUM.	
2	UPPER DIAPHRAGM PLATE	MILD STEEL	
3	LOWER DIAPHRAGM PLATE	MILD STEEL	
4	OPERATING DIAPHRAGM	RUBBER	
5	LOWER CYLINDER	SILICON ALUM.	
6	CYLINDER 'O' RING	NITRILE	
7	MASTER SPINDLE	STAINLESS STEEL	
8	SPINDLE ADAPTOR	STAINLESS STEEL	
9	BONNET	CAST IRON	
10	COMPRESSOR	CAST IRON	
11	LINE DIAPHRAGM	RUBBER	
12	BODY	CAST IRON	HARD RUBBER
		SG IRON	SOFT RUBBER
		CAST STEEL	BUTYL RUBBER
			NEOPRENE RUBBER
13	PTFE LINE DIAPHRAGM	RUBBER/PTFE	
14	HANDWHEEL	CAST IRON	
15	HANDWHEEL SPINDLE	MILD STEEL	
16	SPINDLE BUSH	MILD STEEL	
17	INDICATOR ROD	MILD STEEL	
18	COVER	SILICON ALUM.	
19	UPPER SPRING PLATE	MILD STEEL	
20	GUIDE ROD	MILD STEEL	
21	SEALING PLATE	MILD STEEL	
22	SEALING PLATE 'O' RING	RUBBER	
23	MOUNTING BRACKET	STAINLESS STEEL	
24	'007' SWITCHBOX		
25	LIFTING ROD	STAINLESS STEEL	
26	INDICATOR COVER	POLYAMIDE	

Size (DN)	A	B	C	D	E	F
20	168	117	150	379	358	223
25	174	127	160	385	364	229
40	186	159	200	397	376	241
50	210	190	230	421	400	265

The information on this sheet is Private and Confidential and is the property of Crane Process Flow Technologies Limited and must not be published directly or indirectly in any manner whatsoever without the written permission of the Company and must not be used in any way detrimental to their interests.
© Crane Process Flow Technologies

CRANE	Process Flow Technologies A Crane Co. Company	Saunders The Science Inside
--------------	--	---------------------------------------

Title
GENERAL ARRANGEMENT OF 'A' TYPE ES54 DOUBLE ACTING MODULAR ACTUATOR (B8200) COMPLETE WITH OPTIONS FITTED ON RUBBER LINED FLANGED BODY

Drawn	RI	Date	14.08.13	UNCONTROLLED IN HARD COPY FORMAT
Checked	JRD	Date	14.08.13	
First Angle Projection Method E		DO NOT SCALE	Drawing No. A-ES54-RUBBER	Issue. 1