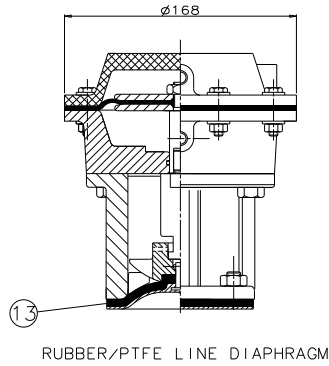
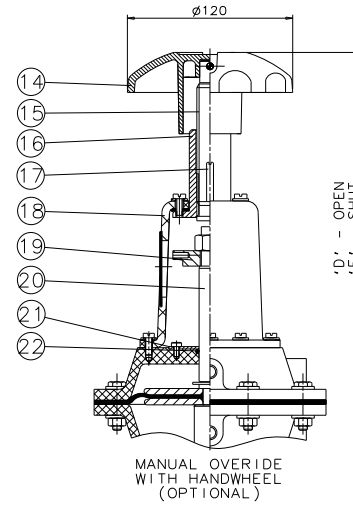


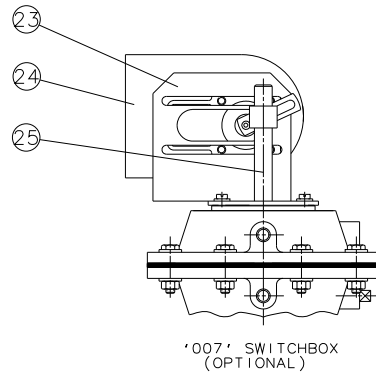
RUBBER LINE DIAPHRAGM



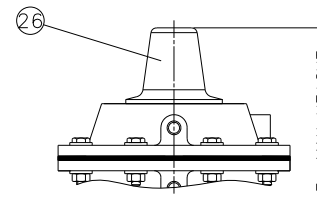
RUBBER/PTFE LINE DIAPHRAGM



MANUAL OVERRIDE WITH HANDWHEEL (OPTIONAL)



.007" SWITCHBOX (OPTIONAL)



'F' - MAX HEIGHT

Item	Component	Material	Lining
1	UPPER CYLINDER	SILICON ALUM.	
2	UPPER DIAPHRAGM PLATE	MILD STEEL	
3	LOWER DIAPHRAGM PLATE	MILD STEEL	
4	OPERATING DIAPHRAGM	RUBBER	
5	LOWER CYLINDER	SILICON ALUM.	
6	CYLINDER 'O' RING	NITRILE	
7	MASTER SPINDLE	STAINLESS STEEL	
8	SPINDLE ADAPTOR	STAINLESS STEEL	
9	BONNET	CAST IRON	
10	COMPRESSOR	CAST IRON	
11	LINE DIAPHRAGM	RUBBER	
12	BODY	CAST IRON	GLASS LINED
13	PTFE LINE DIAPHRAGM	RUBBER/PTFE	
14	HANDWHEEL	CAST IRON	
15	HANDWHEEL SPINDLE	MILD STEEL	
16	SPINDLE BUSH	MILD STEEL	
17	INDICATOR ROD	MILD STEEL	
18	COVER	SILICON ALUM.	
19	UPPER SPRING PLATE	MILD STEEL	
20	GUIDE ROD	MILD STEEL	
21	SEALING PLATE	MILD STEEL	
22	SEALING PLATE 'O' RING	RUBBER	
23	MOUNTING BRACKET	STAINLESS STEEL	
24	.007" SWITCHBOX		
25	LIFTING ROD	STAINLESS STEEL	
26	INDICATOR COVER	POLYAMIDE	

Size (DN)	A	B	C	D	E	F
15	157	108	130	368	347	212
20	163	117	150	374	353	218
25	172	127	160	383	362	227
40	184	159	200	395	374	239
50	209	190	230	420	399	264

The information on this sheet is Private and Confidential and is the property of Crane Process Flow Technologies Limited and must not be published directly or indirectly in any manner whatsoever without the written permission of the Company and must not be used in any way detrimental to their interests.  
© Crane Process Flow Technologies

<b>CRANE</b>	Process Flow Technologies A Crane Co. Company	<b>Saunders</b> The Science Inside
--------------	--	---------------------------------------

Title  
GENERAL ARRANGEMENT OF 'A' TYPE ES54 DOUBLE ACTING MODULAR ACTUATOR (B8200) COMPLETE WITH OPTIONS FITTED ON GLASS LINED FLANGED BODY

Drawn	RI	Date	14.08.13	UNCONTROLLED IN HARD COPY FORMAT		
Checked	JRD	Date	14.08.13			
First Angle Projection Method	E	DO NOT SCALE	Drawing No.	A-ES54+GLASS	Issue.	1