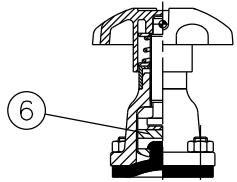
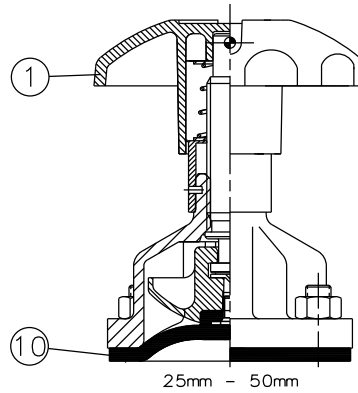


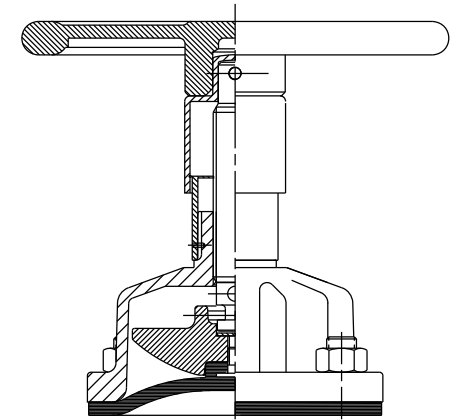
RUBBER LINE DIAPHRAGM



15mm - 20mm

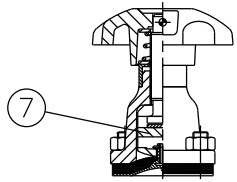


25mm - 50mm

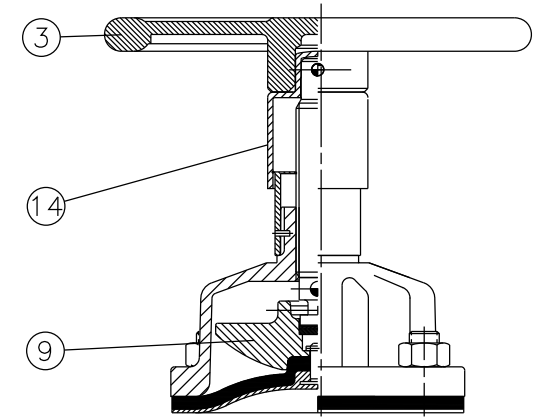
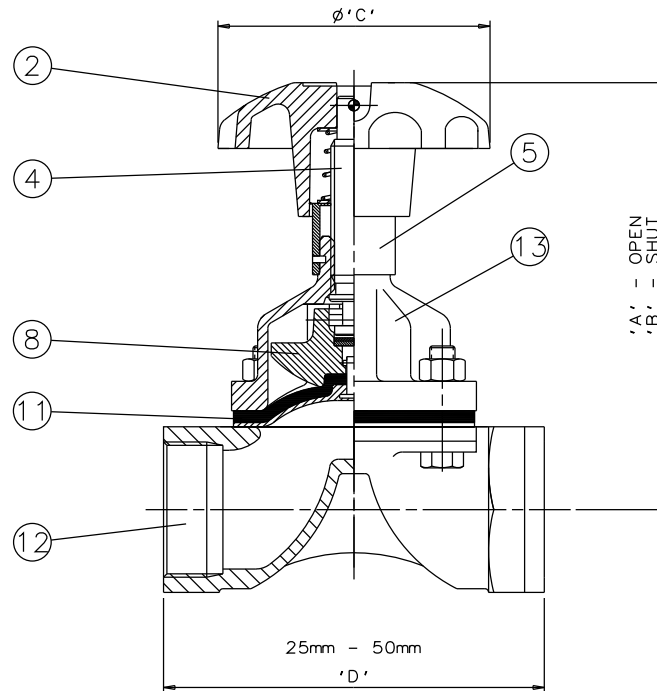


65mm - 80mm

RUBBER/PTFE LINE DIAPHRAGM



15mm - 20mm



65mm - 80mm

Item	Component	Material	Where Used						
1		ABS	15mm-50mm						
2	HANDWHEEL	CAST IRON	15mm-50mm						
3		CAST IRON	65mm-80mm						
4	SPINDLE	MILD STEEL							
5	BONNET SLEEVE	POLYPROPYLENE							
6		MILD STEEL	15mm-20mm						
7	COMPRESSOR	SILICON ALUM.	15mm-50mm						
8		CAST IRON	25mm-80mm	Size(DN)	A	B	C	D	
9		CAST IRON	65mm-80mm	15	92	85	62	63,5	
10	LINE DIAPHRAGM	RUBBER		20	94	88	62	83	
11		RUBBER/PTFE		25	119	108	80	111	
12	BODY	CAST IRON		32	154	140	120	124*	
		S.G. IRON		40	165	148	120	143	
		STAINLESS STEEL		50	188	164	120	168	
		GUNMETAL		65	241	209	170	206	
13	BONNET	CAST IRON		80	262	227	230	257	
14	HANDWHEEL BOSS	POLYPROPYLENE	65mm-80mm	*CPFT USE 114mm FOR STAINLESS STEEL BODIES					

The information on this sheet is Private and Confidential and is the property of Crane Process Flow Technologies Limited and must not be published directly or indirectly in any manner whatsoever without the written permission of the Company and must not be used in any way detrimental to their interests.
© Crane Process Flow Technologies

CRANE	Process Flow Technologies A Crane Co. Company	Saunders The Science Inside
Title GENERAL ARRANGEMENT OF 'A' TYPE RISING HANDWHEEL INDICATOR BONNET ASSEMBLY (9000) FITTED ON SCREWED BODY		
Drawn RI	Date 19.06.13	UNCONTROLLED IN HARD COPY FORMAT
Checked RND	Date 19.03.13	
First Angle Projection Method E		DO NOT SCALE
Drawing No. A-CI-RHI-SCREWED		Issue. 1