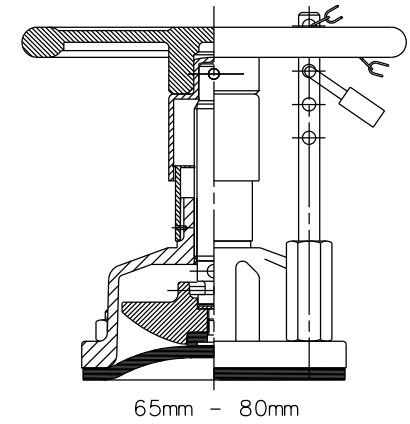
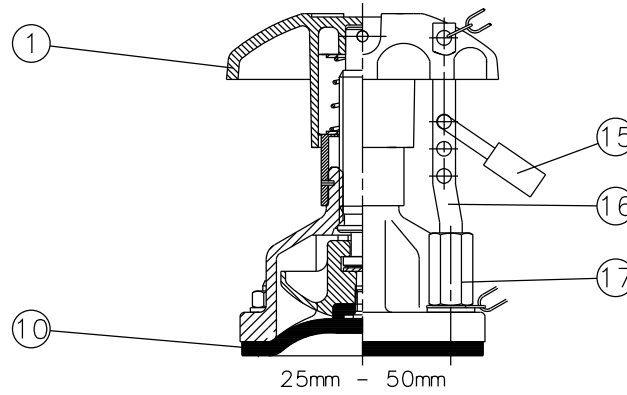
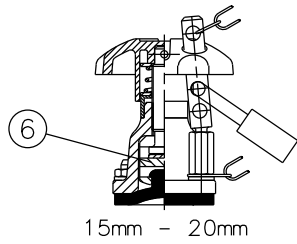
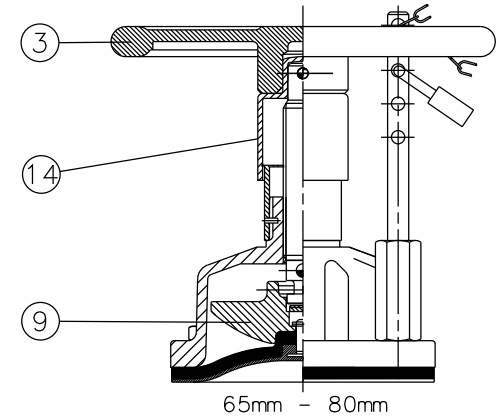
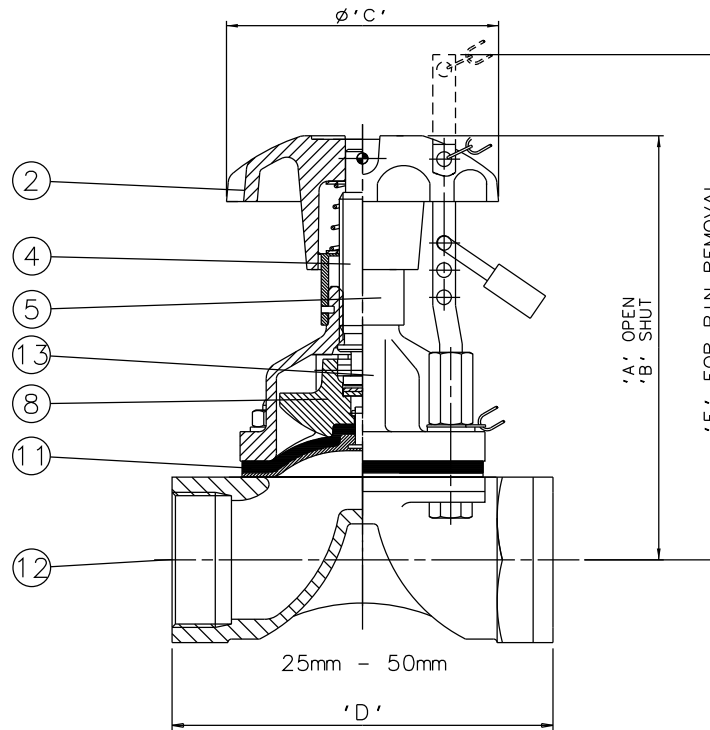
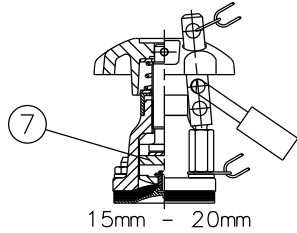


### RUBBER LINE DIAPHRAGM



### RUBBER/PTFE LINE DIAPHRAGM



Item	Component	Material	Where Used
1	HANDWHEEL	ABS	15mm-50mm
2		CAST IRON	15mm-50mm
3		CAST IRON	65mm-80mm
4	SPINDLE	MILD STEEL	
5	BONNET SLEEVE	POLYPROPYLENE	
6	COMPRESSOR	MILD STEEL	15mm-20mm
7		SILICON ALUM.	15mm-50mm
8		CAST IRON	65mm-80mm
9		CAST IRON	25mm-80mm
10	LINE DIAPHRAGM	RUBBER	
11		RUBBER/PTFE	
12	BODY	CAST IRON	Size(DN)
		S.G. IRON	A B C D E
		STAINLESS STEEL	15 92 85 62 63.5 157
		GUNMETAL	20 94 88 62 83 153
13	BONNET	CAST IRON	25 119 108 80 111 201
14	HANDWHEEL BOSS	POLYPROPYLENE	32 154 140 120 124* 261
15	PADLOCK		40 165 148 120 143 278
16	PADLOCK PIN	MILD STEEL	50 188 164 120 168 303
17	PADLOCK NUT	STEEL	65 241 209 170 206 274
		STAINLESS STEEL	80 262 227 230 257 319

\* CPFT USE 114mm FOR STAINLESS STEEL BODIES

The information on this sheet is Private and Confidential and is the property of Crane Process Flow Technologies Limited and must not be published directly or indirectly in any manner whatsoever without the written permission of the Company and must not be used in any way detrimental to their interests.  
 © Crane Process Flow Technologies

<b>CRANE</b>	Process Flow Technologies A Crane Co. Company	<b>Saunders</b> The Science Inside
Title GENERAL ARRANGEMENT OF 'A' TYPE RISING HANDWHEEL INDICATOR BONNET ASSEMBLY WITH SIMPLE PADLOCKING (9300) FITTED ON SCREWED BODY.		
Drawn R1	Date 20.06.13	UNCONTROLLED IN HARD COPY FORMAT
Checked RND	Date 20.06.13	
First Angle Projection Method E	DO NOT SCALE	Drawing No. A-C1-RHI-PLOCK-SCREWED
		Issue. A