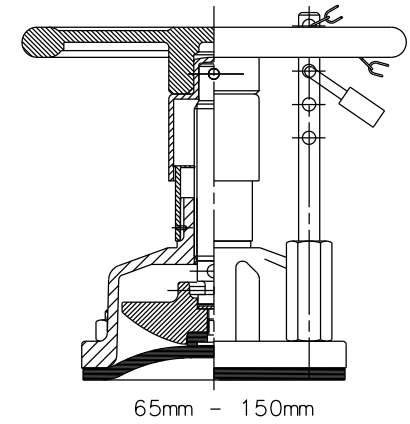
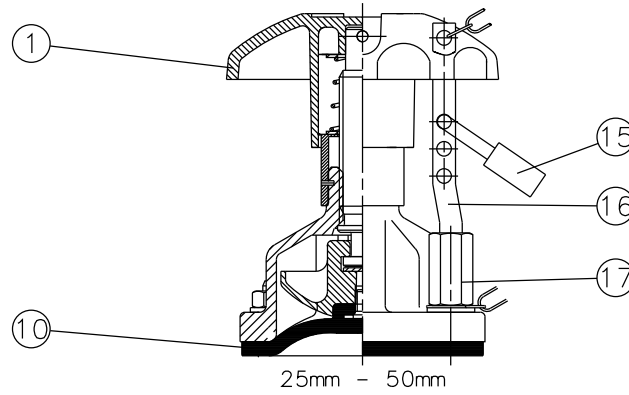
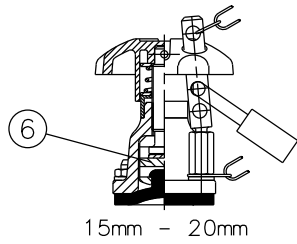
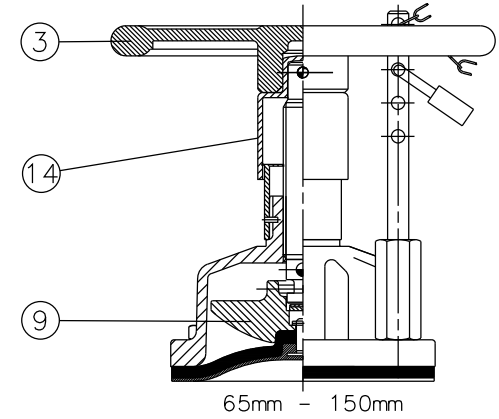
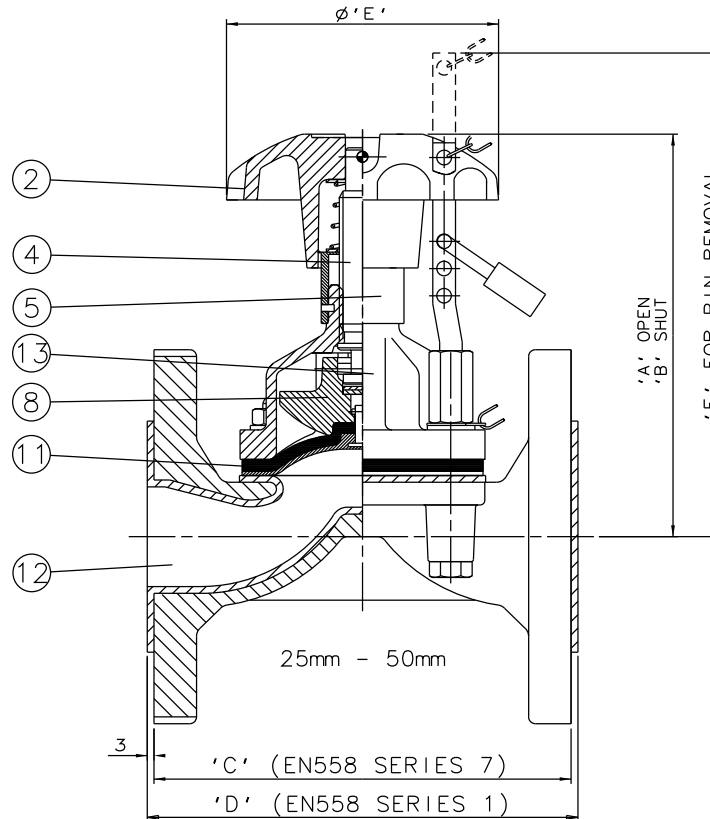
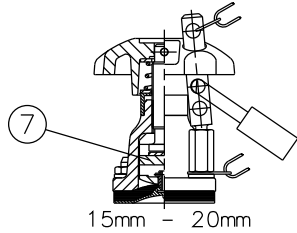


### RUBBER LINE DIAPHRAGM



### RUBBER/PTFE LINE DIAPHRAGM



Item	Component	Material	Lining	Where Used							
1	HANDWHEEL	ABS		15mm-50mm							
2		CAST IRON		15mm-50mm							
3		CAST IRON		65mm-150mm							
4	SPINDLE	MILD STEEL									
5	BONNET SLEEVE	POLYPROPYLENE									
6	COMPRESSOR	MILD STEEL		15mm-20mm							
7		SILICON ALUM.		15mm-50mm							
8		CAST IRON		65mm-150mm							
9		CAST IRON		25mm-150mm							
10	LINE DIAPHRAGM	RUBBER									
11	LINE DIAPHRAGM	RUBBER/PTFE									
12	BODY	S.G. IRON	PVDF LINED	Size(DN)	A	B	C	D	E	F	
			ETFE LINED	15	103	97	108	130	62	169	
			PP LINED	20	97	91	117	150	62	156	
			PFA LINED	25	112	101	127	160	80	194	
13	BONNET	CAST IRON		32	147	133	146	180	120	254	
14	HANDWHEEL BOSS	POLYPROPYLENE		40	162	145	159	200	120	275	
15	PADLOCK			65mm-150mm	50	179	155	190	230	120	294
16	PADLOCK PIN	MILD STEEL			65	230	198	216	290	170	263
17	PADLOCK NUT	STEEL			80	246	211	254	310	230	303
					100	313	267	305	350	280	355
			STAINLESS STEEL		150	450	374	406	480	368	467

The information on this sheet is Private and Confidential and is the property of Crane Process Flow Technologies Limited and must not be published directly or indirectly in any manner whatsoever without the written permission of the Company and must not be used in any way detrimental to their interests.  
 © Crane Process Flow Technologies

**CRANE** Process Flow Technologies  
 A Crane Co. Company

**Saunders**  
 The Science Inside

Title  
 GENERAL ARRANGEMENT OF 'A' TYPE RISING HANDWHEEL INDICATOR BONNET ASSEMBLY WITH SIMPLE PADLOCKING (9300) FITTED ON PLASTIC LINED FLANGED BODY.

Drawn R1 Date 20.06.13 UNCONTROLLED IN HARD COPY FORMAT  
 Checked RND Date 20.06.13

First Angle Projection Method E DO NOT SCALE Drawing No. A-CI-RHI-PLOCK-PLASTIC Issue. A