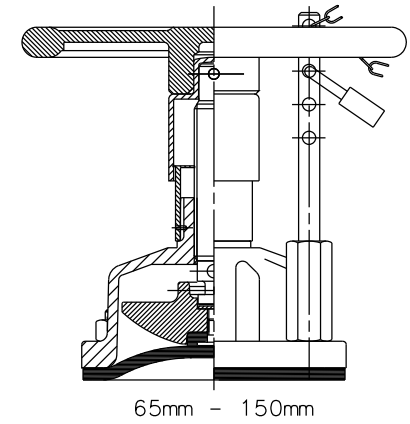
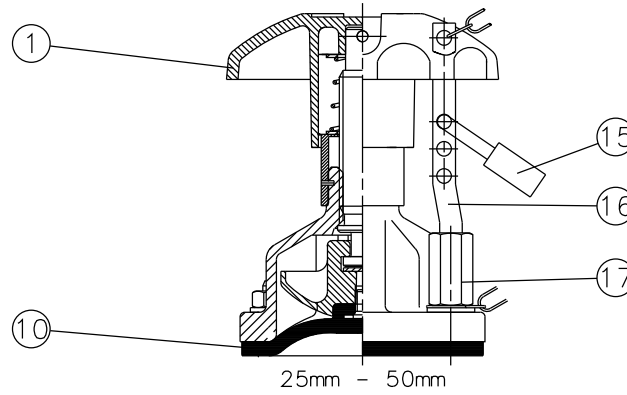
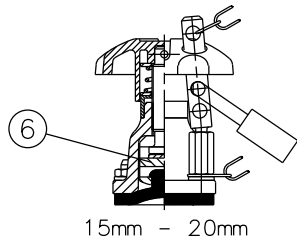
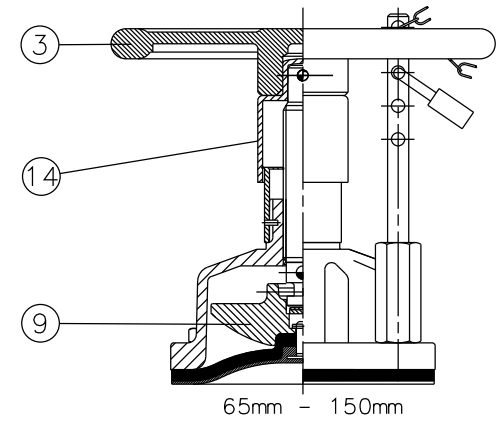
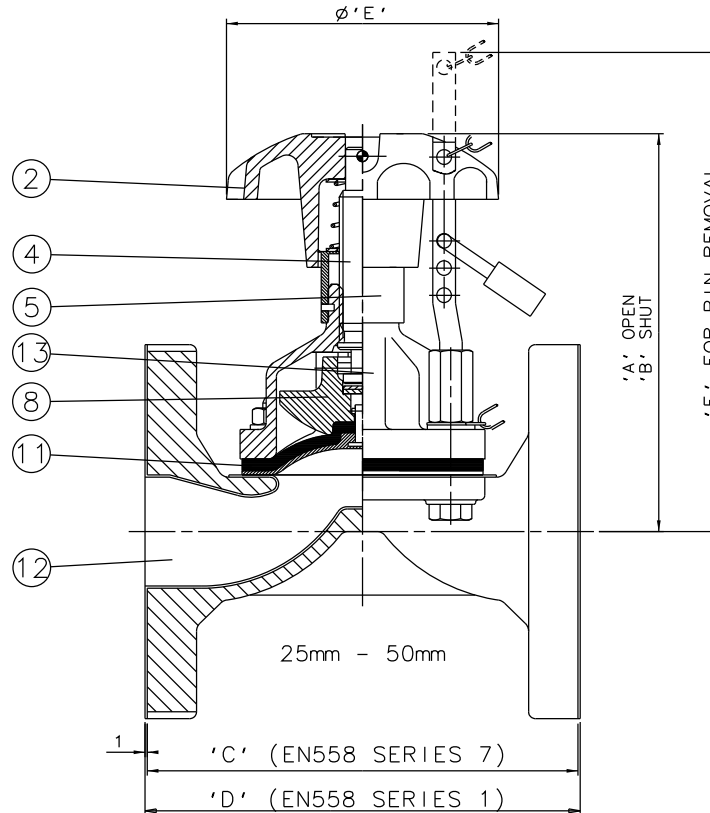
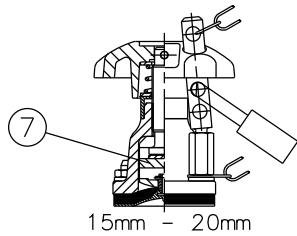


# RUBBER LINE DIAPHRAGM



# RUBBER/PTFE LINE DIAPHRAGM



Item	Component	Material	Lining	Where Used							
1	HANDWHEEL	ABS		15mm-50mm							
2		CAST IRON		15mm-50mm							
3		CAST IRON		65mm-150mm							
4	SPINDLE	MILD STEEL									
5	BONNET SLEEVE	POLYPROPYLENE									
6	COMPRESSOR	MILD STEEL		15mm-20mm							
7		SILICON ALUM.		15mm-50mm	Size(DN)	A	B	C	D	E	F
8		CAST IRON		65mm-150mm	15	101	94	108	130	62	166
9		CAST IRON		25mm-150mm	20	92	86	117	150	62	151
10	LINE DIAPHRAGM	RUBBER			25	109	98	127	160	80	191
11		RUBBER/PTFE			32	144	130	146	180	120	251
12	BODY	CAST IRON	GLASS LINED		40	158	141	159	200	120	271
13	BONNET	CAST IRON			50	176	152	190	230	120	291
14	HANDWHEEL BOSS	POLYPROPYLENE		65mm-150mm	65	227	195	216	290	170	261
15	PADLOCK				80	244	209	254	310	230	301
16	PADLOCK PIN	MILD STEEL			100	309	262	305	350	280	351
17	PADLOCK NUT	STEEL			125	389	323	356	400	280	401
		STAINLESS STEEL		15mm-150mm	150	443	368	406	480	368	461

The information on this sheet is Private and Confidential and is the property of Crane Process Flow Technologies Limited and must not be published directly or indirectly in any manner whatsoever without the written permission of the Company and must not be used in any way detrimental to their interests.  
 © Crane Process Flow Technologies

**CRANE** Process Flow Technologies  
 A Crane Co. Company

**Saunders**  
 The Science Inside

Title  
 GENERAL ARRANGEMENT OF 'A' TYPE RISING HANDWHEEL INDICATOR BONNET ASSEMBLY WITH SIMPLE PADLOCKING (9300) FITTED ON GLASS LINED FLANGED BODY.

Drawn R1	Date 20.06.13	UNCONTROLLED IN HARD COPY FORMAT
Checked RND	Date 20.06.13	
First Angle Projection Method E	DO NOT SCALE	Drawing No. A-CI-RH1-PLOCK-GLASS
		Issue. A