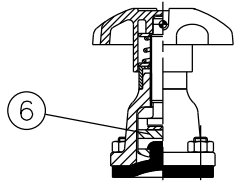
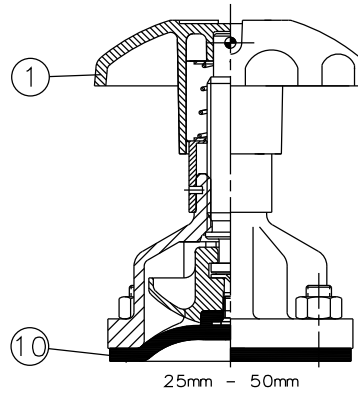


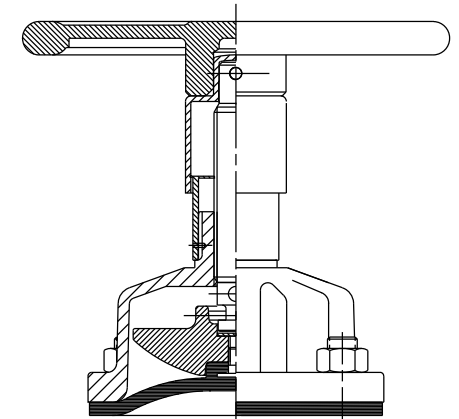
RUBBER LINE DIAPHRAGM



15mm - 20mm

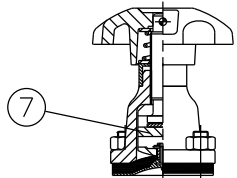


25mm - 50mm

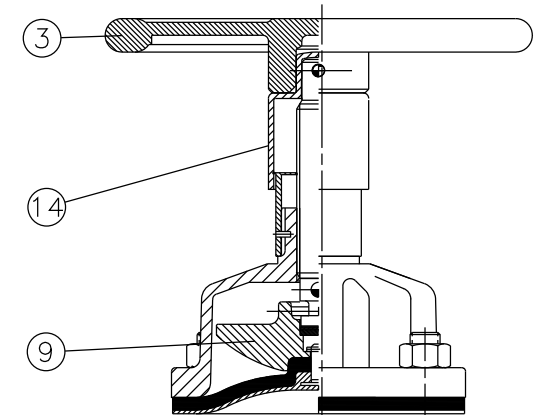
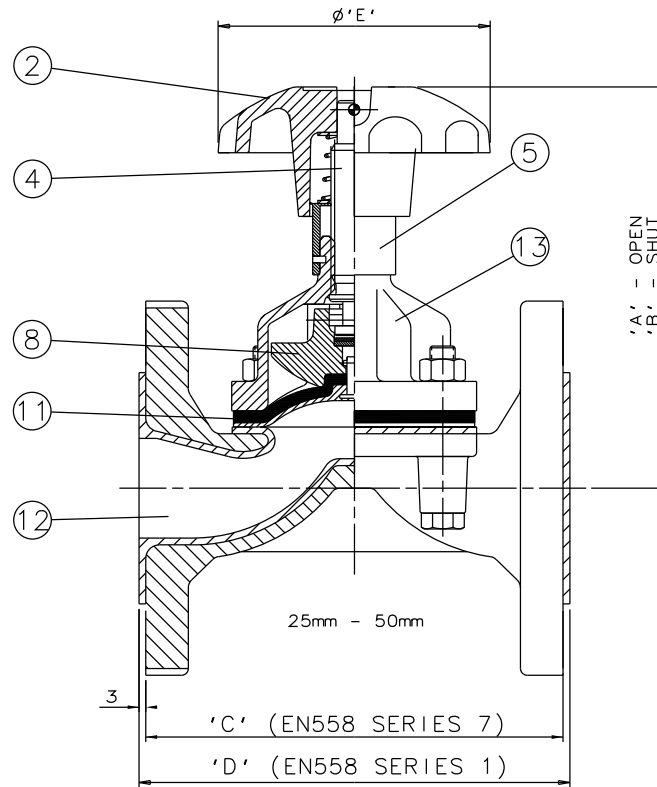


65mm - 150mm

RUBBER/PTFE LINE DIAPHRAGM



15mm - 20mm



65mm - 150mm

Item	Component	Material	Lining	Where Used
1	HANDWHEEL	ABS		15mm-50mm
2		CAST IRON		15mm-50mm
3		CAST IRON		65mm-150mm
4	SPINDLE	MILD STEEL		
5	BONNET SLEEVE	POLYPROPYLENE		
6	COMPRESSOR	MILD STEEL		15mm-20mm
7		SILICON ALUM.		15mm-50mm
8		CAST IRON		25mm-150mm
9		CAST IRON		65mm-150mm
10	LINE DIAPHRAGM	RUBBER		25 112 101 127 160 80
11		RUBBER/PTFE		32 147 133 146 180 120
12	BODY	S.G. IRON	PVDF LINED	40 162 145 159 200 120
			ETFE LINED	50 179 155 190 230 120
			PP LINED	65 230 198 216 290 170
			PFA LINED	80 246 211 254 310 230
13	BONNET	CAST IRON		100 313 267 305 350 280
14	HANDWHEEL BOSS	POLYPROPYLENE		65mm-150mm 150 450 374 406 480 368

The information on this sheet is Private and Confidential and is the property of Crane Process Flow Technologies Limited and must not be published directly or indirectly in any manner whatsoever without the written permission of the Company and must not be used in any way detrimental to their interests.
© Crane Process Flow Technologies

CRANE Process Flow Technologies
A Crane Co. Company

Saunders
The Science Inside

Title
GENERAL ARRANGEMENT OF 'A' TYPE RISING
HANDWHEEL INDICATOR BONNET ASSEMBLY (9000)
FITTED ON PLASTIC LINED FLANGED BODY

Drawn RI Date 19.06.13

Checked RND Date 19.03.13

First Angle Projection Method E

DO NOT SCALE

UNCONTROLLED IN HARD COPY FORMAT

Drawing No. A-CI-RHI-PLASTIC Issue. 1