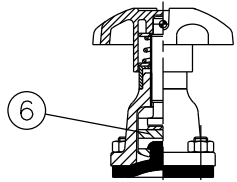
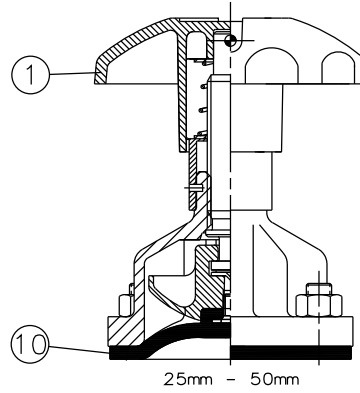


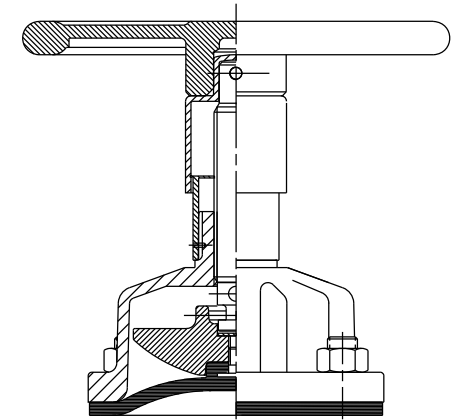
RUBBER LINE DIAPHRAGM



15mm - 20mm

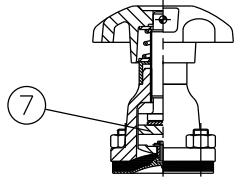


25mm - 50mm

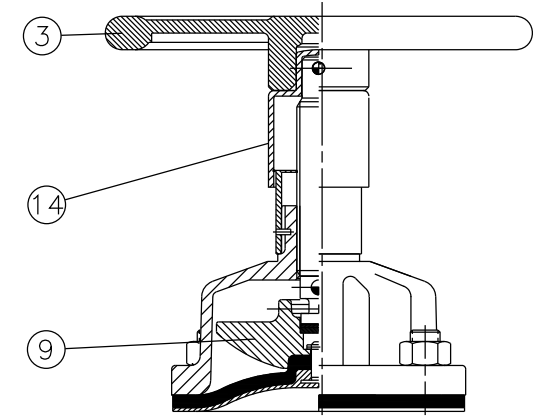
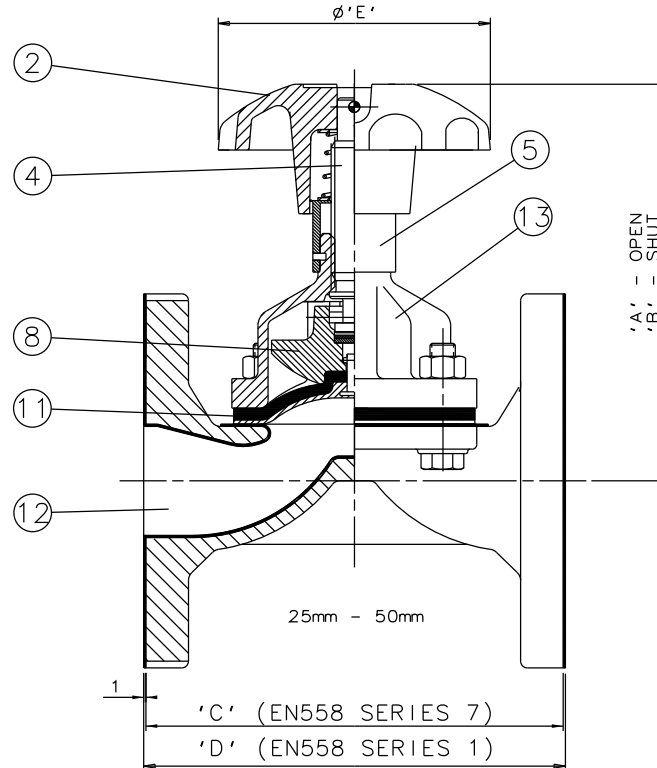


65mm - 150mm

RUBBER/PTFE LINE DIAPHRAGM



15mm - 20mm



65mm - 150mm

Item	Component	Material	Lining	Where Used	Size(DN)	A	B	C	D	E
1	HANDWHEEL	ABS		15mm-50mm						
2		CAST IRON		15mm-50mm						
3		CAST IRON		65mm-150mm						
4	SPINDLE	MILD STEEL			15	101	94	108	130	62
5	BONNET SLEEVE	POLYPROPYLENE			20	92	86	117	150	62
6	COMPRESSOR	MILD STEEL		15mm-20mm	25	109	98	127	160	80
7		SILICON ALUM.		15mm-50mm	32	144	130	146	180	120
8		CAST IRON		25mm-150mm	40	158	141	159	200	120
9		CAST IRON		65mm-150mm	50	176	152	190	230	120
10	LINE DIAPHRAGM	RUBBER			65	227	195	216	290	170
11		RUBBER/PTFE			80	244	209	254	310	230
12	BODY	CAST IRON	GLASS LINED		100	309	263	305	350	280
13	BONNET	CAST IRON			125	389	323	356	358	280
14	HANDWHEEL BOSS	POLYPROPYLENE		65mm-150mm	150	443	368	406	480	368

The information on this sheet is Private and Confidential and is the property of Crane Process Flow Technologies Limited and must not be published directly or indirectly in any manner whatsoever without the written permission of the Company and must not be used in any way detrimental to their interests.  
© Crane Process Flow Technologies

**CRANE** Process Flow Technologies  
A Crane Co. Company

**Saunders**  
The Science Inside

Title  
GENERAL ARRANGEMENT OF 'A' TYPE RISING  
HANDWHEEL INDICATOR BONNET ASSEMBLY (9000)  
FITTED ON GLASS LINED FLANGED BODY

Drawn RI Date 19.06.13

UNCONTROLLED IN  
HARD COPY FORMAT

Checked RND Date 19.03.13

First Angle Projection Method E

Drawing No. A-CI-RHI-GLASS Issue. 1