

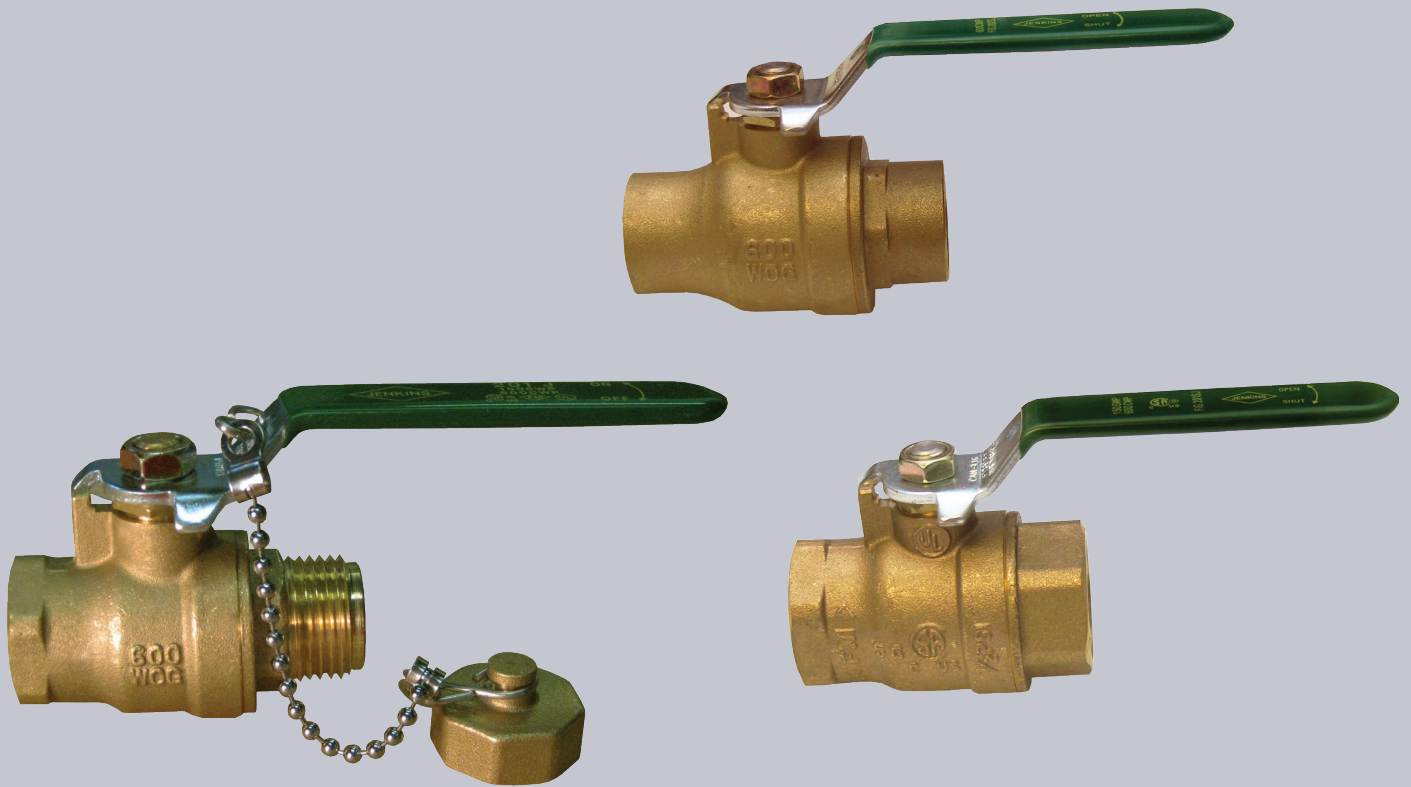
SINCE

1864

JENKINS

®

brands you trust.



JENKINS® Ball Valves

CRANE

Energy Flow Solutions

www.cranecpe.com

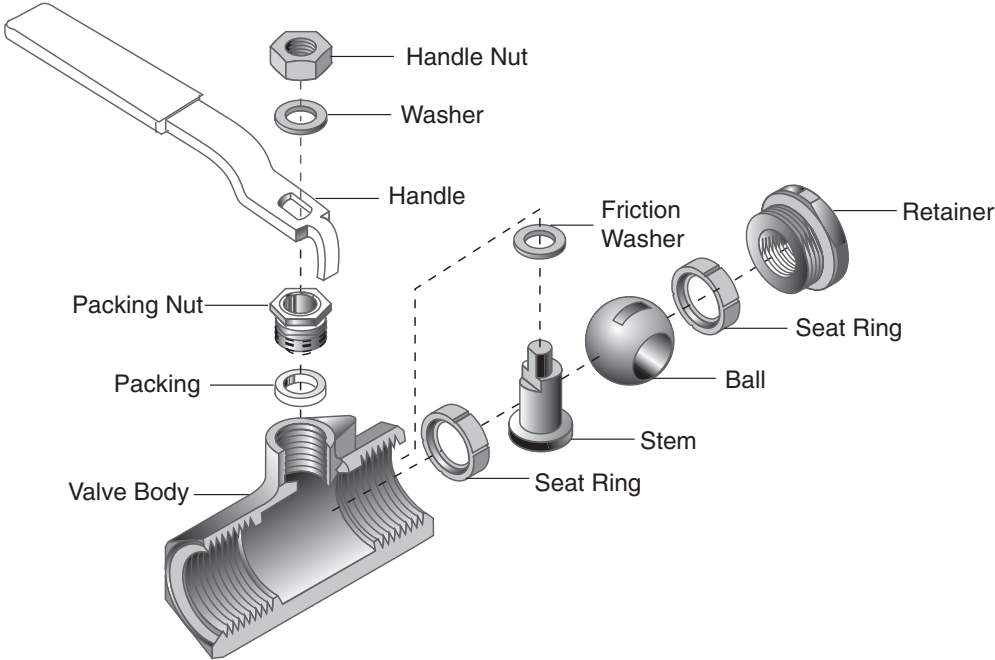


Figure Number Index

Fig No.	Page
201J.....	4
202J.....	5
201SJ.....	6
202SJ.....	7
201CJ.....	8
202CJ.....	9
201CSJ.....	10
202CSJ.....	11

Key Features, Options and Pressure-Temperature Ratings

Jenkins® ball valves are general purpose two-piece end entry ball valves that covers the full spectrum of industrial and commercial applications.



Jenkins® Ball Valve Key Features and Options:

Blow-Out Proof Stem

The internally loaded stem has an integral thrust collar which prevents stem removal while the valve is installed.

Adjustable Packing

The packing may be tightened to compensate for wear throughout the life of the valve.

Lever Handle

Heavy duty lever handles are standard for easy operation. All handles include a vinyl insulator sleeve for protection from high or low temperatures.

Options Include

- Memory Stop
- Extension Stems
- Tee Handles
- Stainless Steel Lever Handles
- Locking Handles

CGA Approved

Jenkins® threaded ends ball valves are Canadian Gas Association Approved.

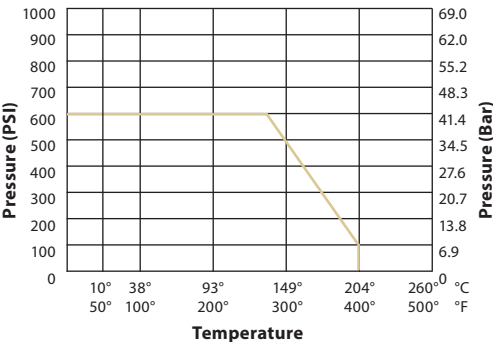
AGA Approved

Jenkins® threaded end ball valves are American Gas Association Approved.

UL/FM Approved

Figures 201J & 201SJ, size ¼" – 2" are Underwriter's Laboratory/ Factory Mutual Approved.

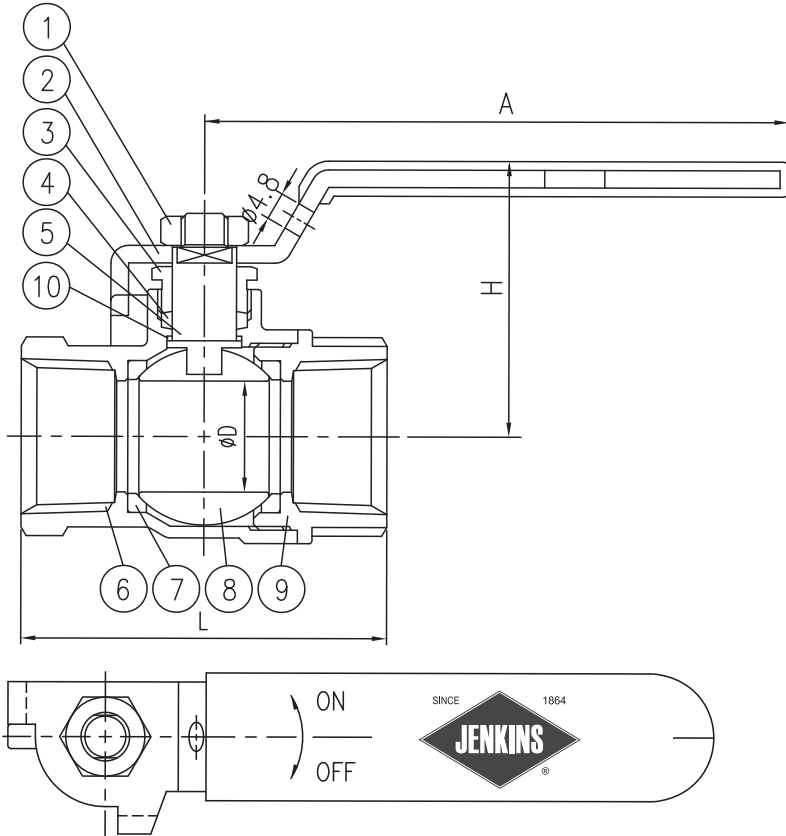
Pressure-Temperature Ratings



600 CWP/150 SWP • Full Port • Threaded Ends

201J

Forged Brass, 2-Piece Body, Meets MSS SP-110,
CSA/UL/FM Approval (½ - 2" only)



MH46785
Listed
2L73

Approvals:

UL Approved

- YSDT (LP-Gas Shut-off valves)
- YRBX (Flammable Liquid Shut-off valves)
- MHKZ (Manual valves)

CSA Approved

- CLASS 3371 94 - Manually Operated Metallic for Use in Piping Systems
Certified to US Standards
- CLASS 3371 92 - Manually Operated Metallic for Use in House
Piping Systems - Certified to US Standards
- CLASS 3371 88 - General Use - Certified to US Standards
- CLASS 3371 12 - Manually Operated for Use on Piping
- CLASS 3371 10 - Lever Operated Non-Lubricated Shut-off
- CLASS 3371 08 - General Use

Materials of Construction

No.	Description	Material
1	Nut	AISI-1010
2	Handle	A283-D
3	Stem Gland Screw	B16-C36000
4	Stem Packing	PTFE
5	Stem	B16-C36000
6	Body	B124-C37700 B584-C85700 (2" - 4")
7	Seat	PTFE
8	Ball	B16-C36000 or B124-C37700 (1" - 4")
9	End Plug	B124-C37700
10	Thrust Washer	PTFE (2" - 4")

Dimensions and Weights

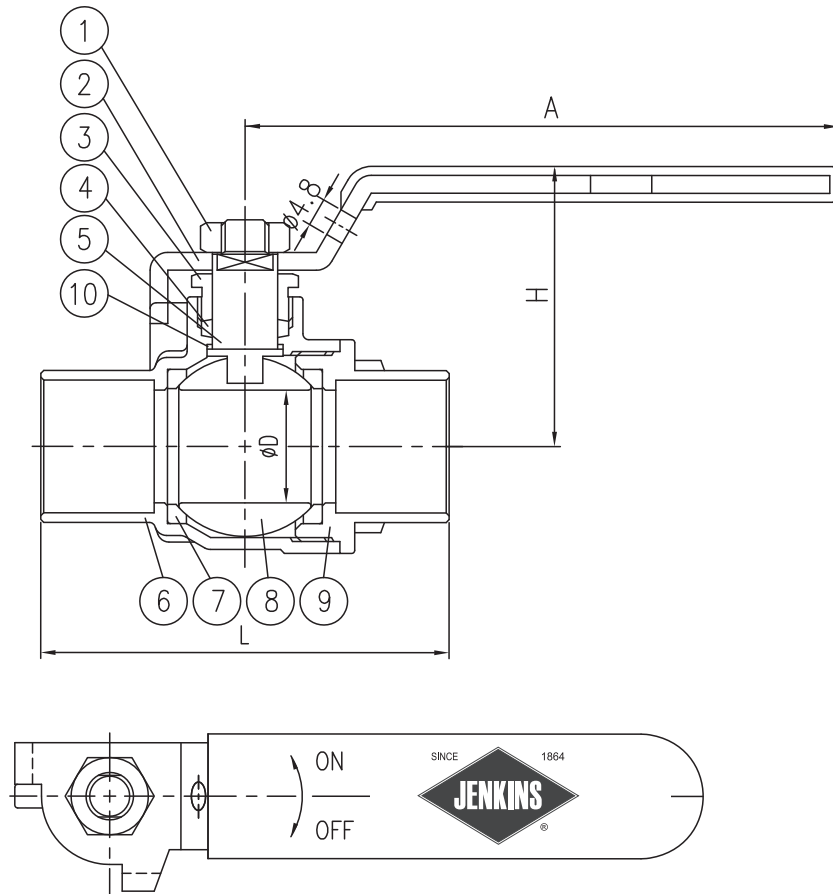
Inches (millimeters) - Pounds (kilograms)

Valve Size	Dimensions				Wt.
	A	D	H	L	
¼	3.15	0.35	1.42	1.69	0.35
	(80)	(9)	(36)	(43)	(0.16)
⅜	3.15	0.39	1.46	1.81	0.35
	(80)	(10)	(37)	(46)	(0.16)
½	3.15	0.50	1.50	2.13	0.42
	(80)	(13)	(38)	(54)	(0.19)
¾	4.33	0.75	1.85	2.48	0.84
	(110)	(19)	(47)	(63)	(0.38)
1	4.33	0.98	2.05	2.99	1.25
	(110)	(25)	(52)	(76)	(0.57)
1¼	5.11	1.25	2.36	3.35	1.83
	(130)	(32)	(60)	(85)	(0.83)
1½	5.12	1.50	2.56	3.62	2.49
	(130)	(38)	(65)	(92)	(1.13)
2	7.87	1.97	3.11	4.25	4.58
	(200)	(50)	(79)	(108)	(2.08)
2½	7.87	2.48	3.50	5.16	7.71
	(200)	(63)	(89)	(131)	(3.50)
3	7.87	2.95	3.86	5.91	10.64
	(200)	(75)	(98)	(150)	(4.83)
4	7.87	2.95	3.86	6.26	13.22
	(200)	(75)	(98)	(159)	(6.00)

600 CWP • Full Port • Solder Ends

202J

Forged Brass, 2-Piece Body, Meets MSS SP-110



Materials of Construction

No.	Description	Material
1	Nut	AISI-1010
2	Handle	A283-D
3	Stem Gland Screw	B16-C36000
4	Stem Packing	PTFE
5	Stem	B16-C36000
6	Body	B124-C37700 B584-C85700 (2" - 3")
7	Seat	PTFE
8	Ball	B16-C36000 or B124-C37700 (3/4" - 3")
9	End Plug	B124-C37700
10	Thrust Washer	PTFE (2" - 3")

Dimensions and Weights

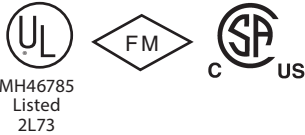
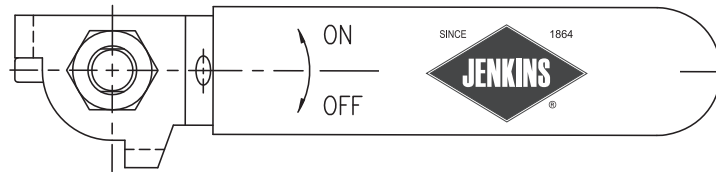
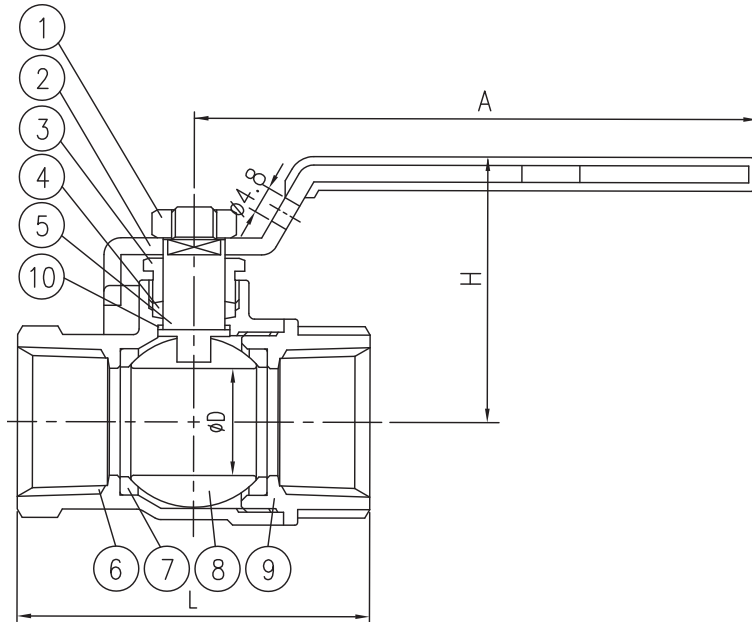
Inches (millimeters) - Pounds (kilograms)

Valve Size	Dimensions				Wt.
	A	D	H	L	
½	3.15 (80)	0.50 (13)	1.50 (38)	1.93 (49)	0.37 (0.17)
	4.33 (110)	0.75 (19)	1.85 (47)	2.72 (69)	0.79 (0.36)
1	4.33 (110)	0.98 (25)	2.05 (52)	3.31 (84)	1.16 (0.53)
	5.12 (130)	1.25 (32)	2.36 (60)	3.78 (96)	1.65 (0.75)
1½	5.12 (130)	1.50 (38)	2.56 (65)	4.29 (109)	2.20 (1.00)
	7.87 (200)	1.97 (50)	3.11 (79)	5.35 (136)	4.40 (2.00)
2½	7.87 (200)	2.48 (63)	3.50 (89)	6.18 (157)	6.90 (3.13)
	7.87 (200)	2.95 (75)	3.86 (98)	7.09 (180)	9.92 (4.50)

600 CWP/150 SWP • Full Port • Threaded Ends

201SJ

Stainless Steel Ball and Stem, 2-Piece Body, Meets MSS SP-110, CSA/UL/FM Approval (½ - 2" only)



Approvals:

UL Approved

- YSDT (LP-Gas Shut-off valves)
- YRBX (Flammable Liquid Shut-off valves)
- MHKZ (Manual valves)

CSA Approved

- CLASS 3371 94 - Manually Operated Metallic for Use in Piping Systems Certified to US Standards
- CLASS 3371 92 - Manually Operated Metallic for Use in House Piping Systems - Certified to US Standards
- CLASS 3371 88 - General Use - Certified to US Standards
- CLASS 3371 12 - Manually Operated for Use on Piping
- CLASS 3371 10 - Lever Operated Non-Lubricated Shut-off
- CLASS 3371 08 - General Use

Materials of Construction

No.	Description	Material
1	Nut	AISI-1010
2	Handle	A283-D
3	Stem Gland Screw	B16-C36000
4	Stem Packing	PTFE
5	Stem	Type 304 SS
6	Body	B124-C37700 B584-C85700 (2" - 4")
7	Seat	PTFE
8	Ball	Type 304 SS
9	End Plug	B124-C37700
10	Thrust Washer	PTFE (2" - 4")

Dimensions and Weights

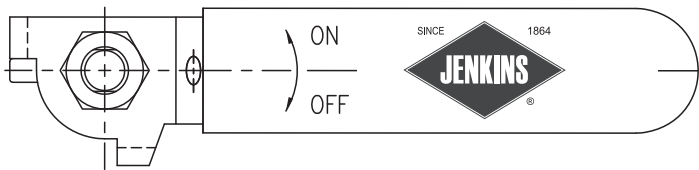
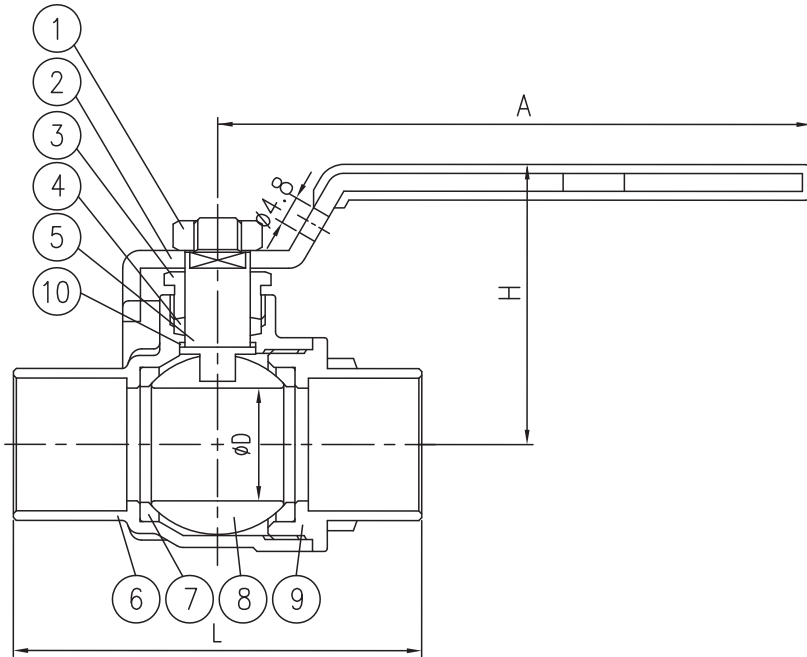
Inches (millimeters) - Pounds (kilograms)

Valve Size	Dimensions				Wt.
	A	D	H	L	
¼	3.15	0.35	1.26	1.69	0.35
	(80)	(9)	(36)	(43)	(0.16)
⅜	3.15	0.39	1.46	1.81	0.35
	(80)	(10)	(37)	(46)	(0.16)
½	3.15	0.50	1.50	2.13	0.42
	(80)	(13)	(38)	(54)	(0.19)
¾	4.33	0.75	1.85	2.48	0.84
	(110)	(19)	(47)	(63)	(0.38)
1	4.33	0.98	2.05	2.99	1.25
	(110)	(25)	(52)	(76)	(0.57)
1¼	5.12	1.25	2.36	3.35	1.83
	(130)	(32)	(60)	(85)	(0.83)
1½	5.12	1.50	2.56	3.62	2.49
	(130)	(38)	(65)	(92)	(1.13)
2	7.87	1.97	3.11	4.25	4.58
	(200)	(50)	(79)	(108)	(2.08)
2½	7.87	2.48	3.50	5.16	7.71
	(200)	(63)	(89)	(131)	(3.50)
3	7.87	2.95	3.86	5.91	10.64
	(200)	(75)	(98)	(150)	(4.83)
4	7.87	2.95	3.86	6.26	13.22
	(200)	(75)	(98)	(159)	(6.00)

600 CWP • Full Port • Solder Ends

202SJ

Stainless Steel Ball and Stem, 2-Piece Body,
Meets MSS SP-110, NSF 61.8 (½ - 3")



Materials of Construction

No.	Description	Material
1	Nut	AISI-1010
2	Handle	A283-D
3	Stem Gland Screw	B16-C36000
4	Stem Packing	PTFE
5	Stem	Type 304 SS
6	Body	B124-C37700 B584-C85700 (2" - 3")
7	Seat	PTFE
8	Ball	Type 304 SS
9	End Plug	B124-C37700
10	Thrust Washer	PTFE (2" - 3")

Dimensions and Weights

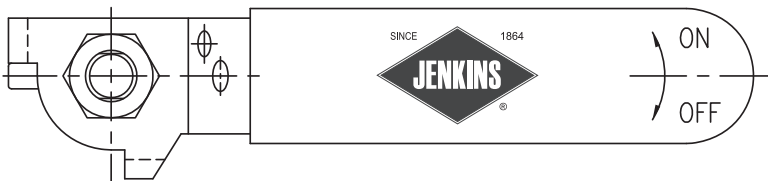
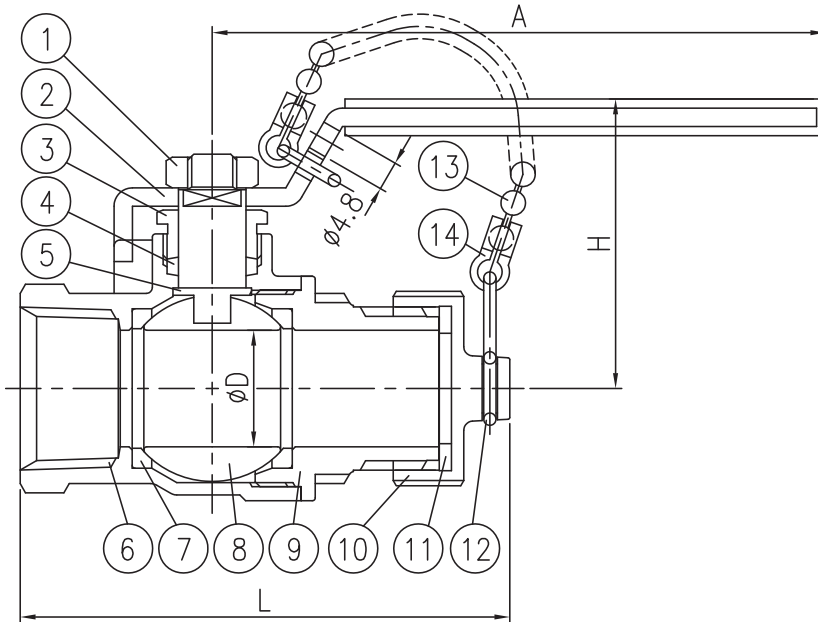
Inches (millimeters) - Pounds (kilograms)

Valve Size	Dimensions				Wt.
	A	D	H	L	
½	3.15 (80)	0.50 (13)	1.50 (38)	1.93 (49)	0.37 (0.17)
	4.33 (110)	0.75 (19)	1.85 (47)	2.72 (69)	0.79 (0.36)
¾	4.33 (110)	0.98 (25)	2.05 (52)	3.31 (84)	1.16 (0.53)
	5.12 (130)	1.25 (32)	2.36 (60)	3.78 (96)	1.65 (0.75)
1	5.12 (125)	1.50 (38)	2.56 (65)	4.29 (109)	2.20 (1.00)
	7.87 (200)	1.97 (50)	3.11 (79)	5.35 (136)	4.40 (2.00)
1½	7.87 (200)	2.48 (63)	3.50 (89)	6.18 (157)	6.90 (3.13)
	7.87 (200)	2.95 (75)	3.86 (98)	7.09 (180)	9.92 (4.50)

600 CWP • Full Port • Threaded Ends

201CJ

Forged Brass, Hose Cap and Chain, Pressure Rated
Hose Cap*, 2-Piece Body, Meets MSS SP-110



Materials of Construction

No.	Description	Material
1	Nut	AISI-1010
2	Handle	A283-D
3	Stem Gland Screw	B16-C36000
4	Stem Packing	PTFE
5	Stem	B16-C36000
6	Body	B124-C37700
7	Seat	PTFE
8	Ball Disc	B16-C36000
9	End Plug	B124-C37700
10	Cap Nut	B124-C37700
11	Nut Packing	NBR
12	Ring	S30400
13	Chain	BRASS PLATED CR
14	Plate	S4300

*Hose cap pressure rated to 150 psi W.O.G.

Dimensions and Weights

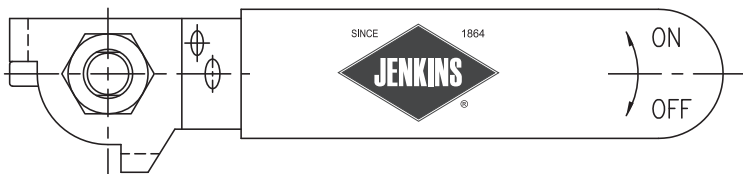
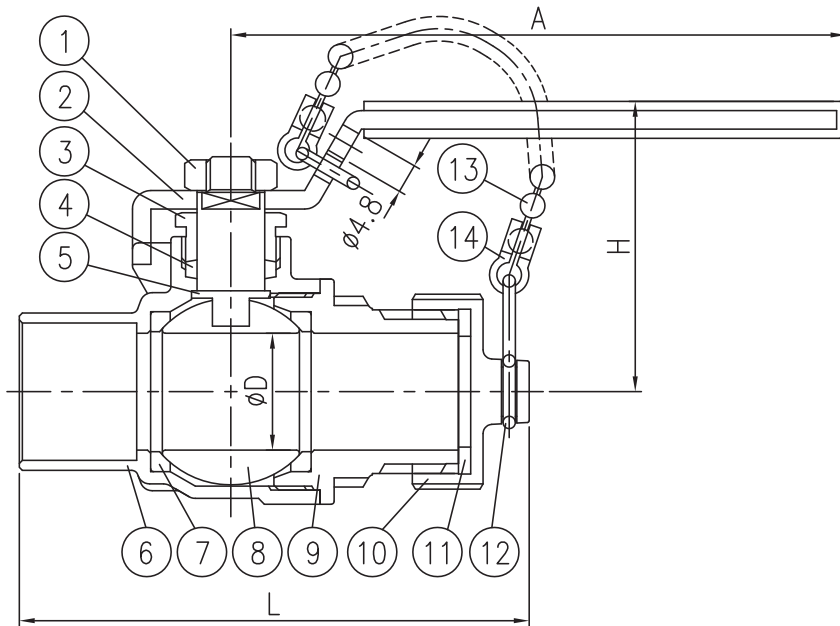
Inches (millimeters) - Pounds (kilograms)

Valve Size	Dimensions				Wt.
	A	D	H	L	
½	3.15	.50	1.50	2.83	0.57
	(80)	(13)	(38)	(72)	(0.26)
¾	4.33	.75	1.85	3.15	1.03
	(110)	(19)	(47)	(80)	(0.47)

600 CWP • Full Port • Solder Ends

202CJ

Forged Brass, Hose Cap and Chain, Pressure Rated
Hose Cap*, 2-Piece Body, Meets MSS SP-110



Materials of Construction

No.	Description	Material
1	Nut	AISI-1010
2	Handle	A283-D
3	Stem Gland Screw	B16-C36000
4	Stem Packing	PTFE
5	Stem	B16-C36000
6	Body	B124-C37700
7	Seat	PTFE
8	Ball Disc	B16-C36000
9	End Plug	B124-C37700
10	Cap Nut	B124-C37700
11	Nut Packing	NBR
12	Ring	S30400
13	Chain	BRASS PLATED CR
14	Plate	S43000

*Hose cap pressure rated to 150 psi W.O.G.

Dimensions and Weights

Inches (millimeters) - Pounds (kilograms)

Valve Size	Dimensions				Wt.
	A	D	H	L	
½	3.15	.50	1.50	2.71	0.57
	(80)	(13)	(38)	(69)	(0.26)
¾	4.33	.75	1.85	3.27	0.99
	(110)	(19)	(47)	(83)	(0.45)

600 CWP • Full Port • Threaded Ends

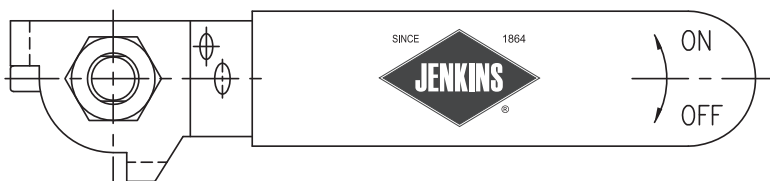
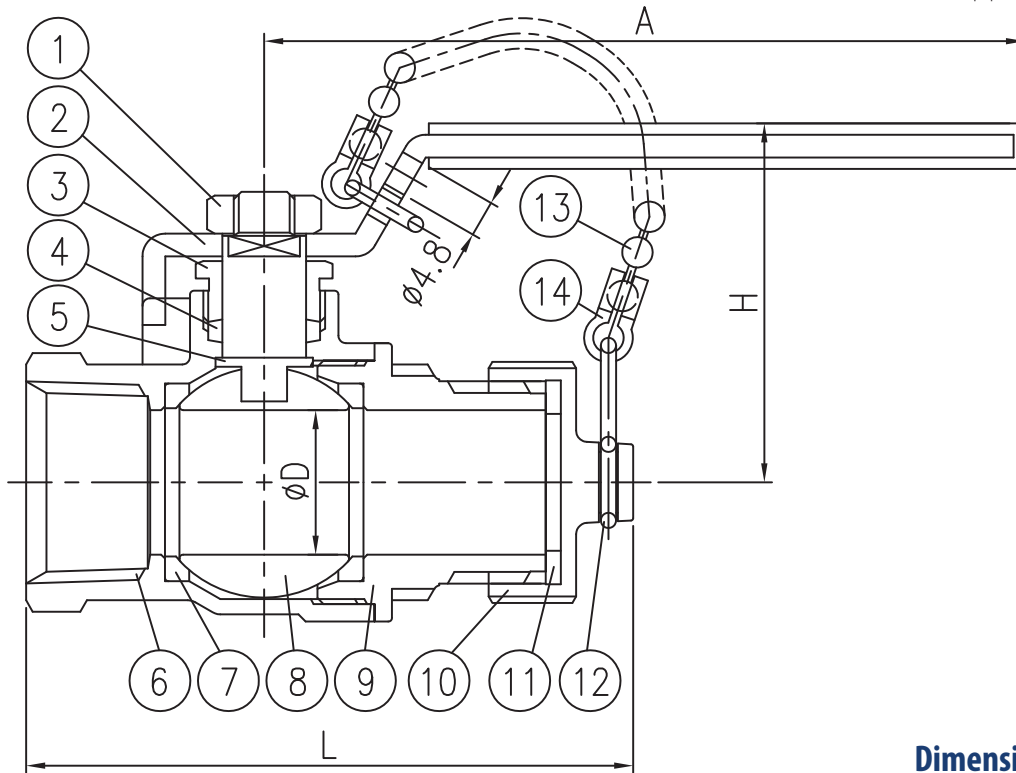
201CSJ

Stainless Steel Ball and Trim, Hose Cap and Chain, Pressure Rated Hose Cap*, 2-Piece Body, Meets MSS SP-110

Materials of Construction

No.	Description	Material
1	Nut	AISI-1010
2	Handle	A283-D
3	Stem Gland Screw	B16-C36000
4	Stem Packing	PTFE
5	Stem	Type 304 SS
6	Body	B124-C37700
7	Seat	PTFE
8	Ball Disc	Type 304 SS
9	End Plug	B124-C37700
10	Cap Nut	B124-C37700
11	Nut Packing	NBR
12	Ring	A227M
13	Chain	BRASS PLATED CR
14	Plate	S43000

*Hose cap pressure rated to 150 psi W.O.G.



Dimensions and Weights

Inches (millimeters) - Pounds (kilograms)

Valve Size	Dimensions				Wt.
	A	D	H	L	
½	3.15	.50	1.50	2.83	0.57
	(80)	(13)	(38)	(72)	(0.26)
¾	4.33	.75	1.85	3.15	1.03
	(110)	(19)	(47)	(80)	(0.47)

600 CWP • Full Port • Solder Ends

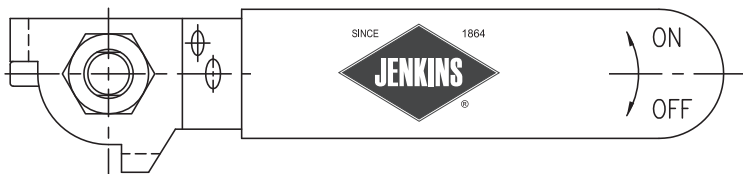
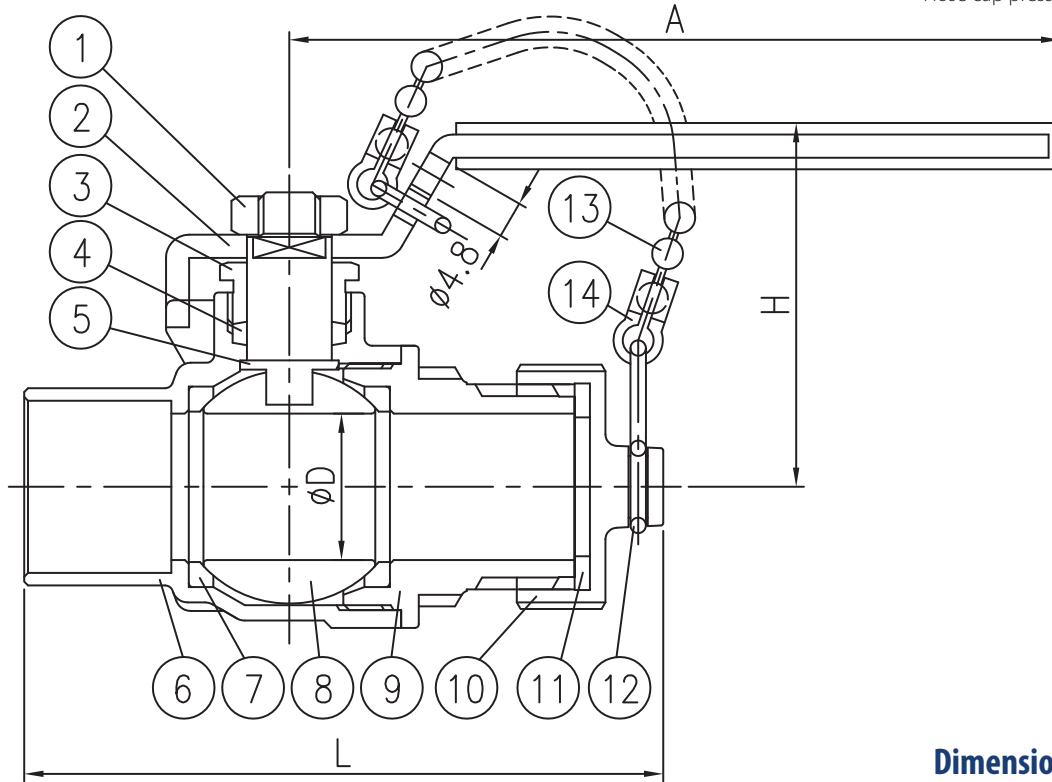
202CSJ

Stainless Steel Ball and Trim, Hose Cap and Chain, Pressure Rated Hose Cap*, 2-Piece Body, Meets MSS SP-110

Materials of Construction

No.	Description	Material
1	Nut	AISI-1010
2	Handle	A283-D
3	Stem Gland Screw	B16-C36000
4	Stem Packing	PTFE
5	Stem	Type 304 SS
6	Body	B124-C37700
7	Seat	PTFE
8	Ball Disc	Type 304 SS
9	End Plug	B124-C37700
10	Cap Nut	B124-C37700
11	Nut Packing	NBR
12	Ring	A227
13	Chain	BRASS PLATED CR
14	Plate	S43000

*Hose cap pressure rated to 150 psi W.O.G.



Dimensions and Weights

Inches (millimeters) - Pounds (kilograms)

Valve Size	Dimensions				Wt.
	A	D	H	L	
½	2.95	.50	1.50	2.71	0.57
	(75)	(13)	(38)	(69)	(0.26)
¾	3.94	.75	1.85	3.27	0.99
	(100)	(19)	(47)	(83)	(0.45)

Accessories

Extension Stems

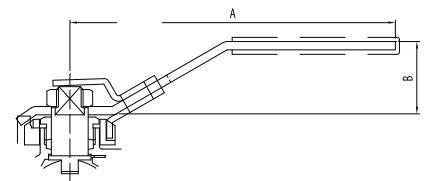
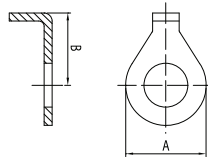
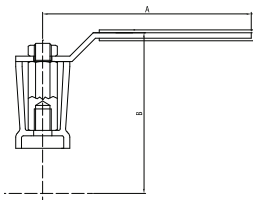
Extension stems may be needed when ball valves are installed in piping requiring insulation or in other special circumstances.

Memory Stop

Continuous operation of a ball valve in partially open position is not recommended. Jenkins does not recommend that a ball valve be used in a position less than 50% full open.

Lever Lock Handles

Lever Lock handles are suitable for use on Lever Lock ball valves. They can be latched for maintenance or operation lockout or for low security protection. Valves may be locked in open and closed positions. Available only in brass as an accessory. Other handle options (not shown): Stainless Steel Handles.



2 1/4" Extension Stems Dimensions

Inches (millimeters)

Valve Size	Dimensions	
	A	B
1/4	2.95	4.29
	(75)	(109)
3/8	2.95	4.29
	(75)	(109)
1/2	2.95	4.37
	(75)	(111)
3/4	3.94	4.72
	(100)	(120)
1	3.94	4.92
	(100)	(125)
1 1/4	4.92	5.31
	(125)	(135)
1 1/2	4.92	5.51
	(125)	(140)
2	7.87	6.10
	(200)	(155)
2 1/2	7.87	6.50
	(200)	(165)
3	7.87	6.85
	(200)	(174)

Available for valves: 201J, 202J, 2015J, 2025J, LF201J, LF202J

Memory Stop Dimensions

Inches (millimeters)

Valve Size	Dimensions	
	A	B
1/4	0.55	0.47
	(14)	(12)
3/8	0.55	0.47
	(14)	(12)
1/2	0.55	0.47
	(14)	(12)
3/4	0.63	0.55
	(16)	(14)
1	0.63	0.55
	(16)	(14)
1 1/4	0.71	0.67
	(18)	(17)
1 1/2	0.71	0.67
	(18)	(17)
2	0.98	0.87
	(25)	(22)
2 1/2	0.98	0.87
	(25)	(22)
3	0.98	0.87
	(25)	(22)

Available for valves: 201J, 202J

Lever Lock Handles Dimensions

Inches (millimeters)

Valve Size	Dimensions	
	A	B
1/4	3.19	0.55
	(81)	(14)
3/8	3.19	0.55
	(81)	(14)
1/2	3.19	0.55
	(81)	(14)
3/4	4.33	0.71
	(110)	(18)
1	4.33	0.71
	(110)	(18)
1 1/4	5.20	0.87
	(132)	(22)
1 1/2	5.20	0.87
	(132)	(22)
2	7.91	0.98
	(201)	(25)
2 1/2	7.91	0.98
	(201)	(25)
3	7.91	0.98
	(201)	(25)

Available for valves: 201J, 202J, 2015J, 2025J, LF201J, LF202J

Notes



CRANE Energy Flow Solutions®

CRANE Energy Global Headquarters
4526 Research Forest Drive, Suite 400
The Woodlands, Texas 77381 U.S.A.
Tel.: (1) 936-271-6500
Fax.: (1) 936-271-6510

Jenkins Customer Service
5 Cherry Blossom Road, Unit 4
Cambridge, Ontario N3H 4R7
Tel: +1 800 563 6302
Fax: +1 519 623 7635

www.cranecpe.com



Energy Flow Solutions



brands you trust.



COMPAC-NOZ®



DEPA®

ELRO® DUO-CHEK®



KROMBACH
ARMATUREN

NOZ-CHEK®



RESISTOFLEX®



Saunders®
the science inside

STOCKHAM®



UNI-CHEK®

Wta®

XOMOX®

Crane Co., and its subsidiaries cannot accept responsibility for possible errors in catalogues, brochures, other printed materials, and website information. Crane Co. reserves the right to alter its products without notice, including products already on order provided that such alteration can be made without changes being necessary in specifications already agreed. All trademarks in this material are property of the Crane Co. or its subsidiaries. The Crane and Crane brands logotype, in alphabetical order, (ALOYCO®, CENTER LINE®, COMPAC-NOZ®, CRANE®, DEPA®, DUO-CHEK®, ELRO®, FLOWSEAL®, JENKINS®, KROMBACH®, NOZ-CHEK®, PACIFIC VALVES®, RESISTOFLEX®, REVO®, SAUNDERS®, STOCKHAM®, TRIANGLE®, UNI-CHEK®, WTA®, and XOMOX®) are registered trademarks of Crane Co. All rights reserved.