

SINCE

1864

JENKINS

®

brands you trust.



Lead Free Ball Valves

CRANE

Crane ChemPharma & Energy

www.cranecpe.com

Lead Free Ball Valve

Features & Benefits

- 1 Certified to NSF/ANSI/CAN 61 & 372.
- 2 Quick delivery, in stock and offered for shipment within 3 days.
- 3 Meets Lead Free Safe Water Drinking requirements.

Potable Water Usage

Jenkin's Lead Free Ball Valves are certified for potable water applications to meet the requirements of NSF/ANSI/CAN 61 & 372, in accordance with the lead free Safe Water Drinking Act. The chemical composition of major wetted parts is given below.

MSS SP-110 Conformance

Jenkin's Lead Free Ball Valves are designed to MSS SP-110 for workmanship and dimensionality only. MSS SP-110 does not cover any materials that meet the requirements of NSF-61 and NSF-372. We have designed these valves for a Cold Working Pressure of 600 PSI, at 100 °F.

Material Properties:

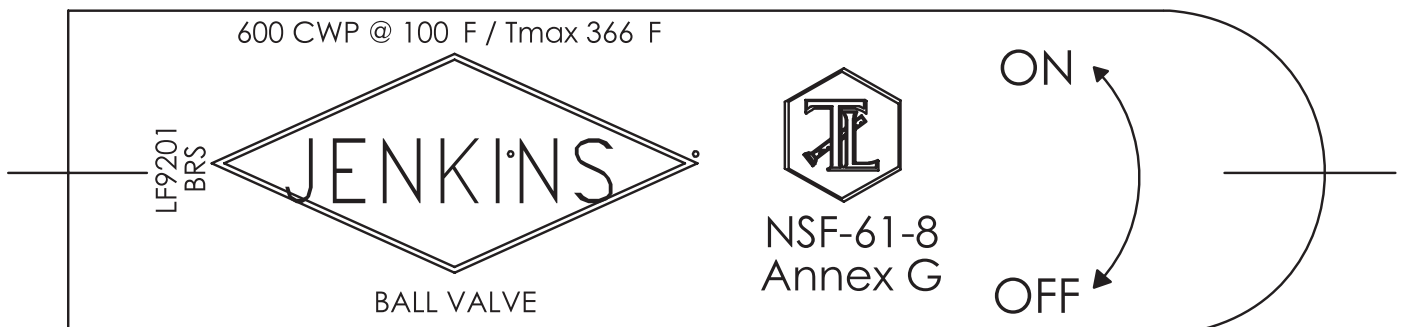
ASTM Designation	Copper	Lead	Tin	Iron	Zinc
B283-C46400	59.0-62.0	.02 (Max)	0.50-1.0	0.10 (Max)	Remainder

ASTM Designation	Tensile Strength	Yield Strength
B283-C46400	63.8 KSI (440 MPa)	26.1 KSI (180 MPa)



Certified to NSF/ANSI/CAN 61 & 372

Sleeve Drawing:



600 CWP • Full Port • Threaded End

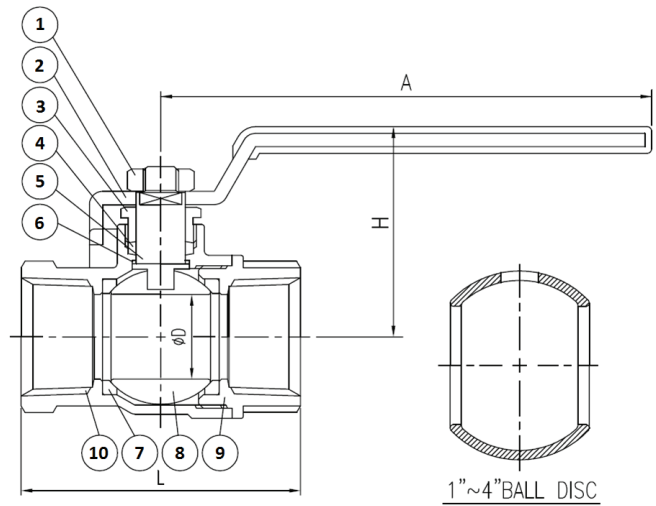
LF201J

Brass Body, 2-Piece body, PTFE Seats

Dimensions and workmanship conform to meet MSS SP-110
Complies with NSF/ANSI/CAN 61 & 372



Certified to NSF/
ANSI/CAN 61 & 372



Materials of Construction:

No.	Description	Material
1	Nut	ANSI-1010
2	Handle	AISI A283-D
3	Stem Gland Screw	ASTM B16-C36000
4	Stem Packing	Teflon PTFE
5	Stem	ASTM B16-C36000
6	Thrust Washer	Teflon PTFE Only 2"-4"
7	Seat	Teflon PTFE
8	Ball Disc	ASTM-B283-C46400
9	End Plug	ASTM-B283-C46400
10	Body	ASTM-B283-C46400

Dimensions & Weights

Inches (millimeters) - Pounds (kilograms)

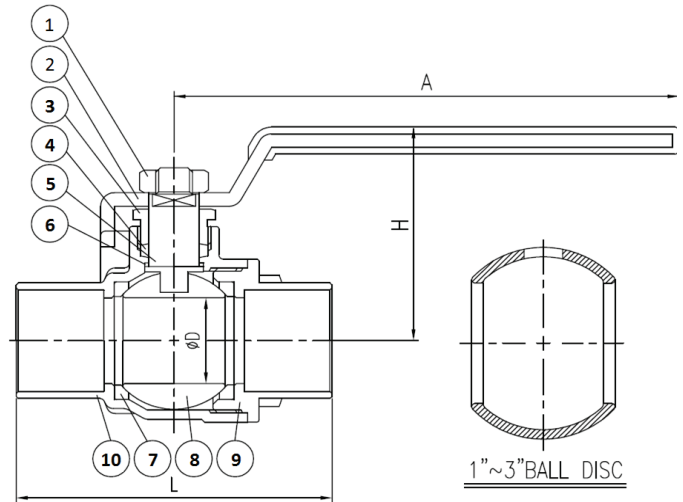
Valve Size	Dimensions				Wt.
	L	H	D	A	
1/2	2.13	1.50	0.5	3.15	0.40
	(54)	(38)	(13)	(80)	(0.18)
3/4	2.48	1.85	0.75	4.33	0.64
	(63)	(47)	(19)	(110)	(0.29)
1	2.99	2.05	0.98	4.33	1.19
	(76)	(52)	(25)	(110)	(0.54)
1 1/4	3.45	2.36	1.26	5.12	1.74
	(88)	(60)	(32)	(130)	(0.79)
1 1/2	3.62	2.56	1.50	5.12	2.27
	(92)	(65)	(38)	(130)	(1.03)
2	4.25	3.11	1.97	7.87	4.14
	(108)	(79)	(50)	(200)	(1.90)
2 1/2	5.16	3.50	2.48	7.87	7.03
	(131)	(89)	(63)	(200)	(1.90)
3	5.16	3.50	2.48	7.87	7.03
	(150)	(98)	(75)	(200)	(3.19)
4	6.26	3.86	2.95	7.87	12.34
	(159)	(98)	(75)	(200)	(5.59)

600 CWP • Full Port • Solder End

LF202J

Brass Body, 2-Piece body, PTFE Seats

Dimensions and workmanship conform to meet MSS SP-110
Complies with NSF/ANSI/CAN 61 & 372



Materials of Construction:

No.	Description	Material
1	Nut	ANSI-1010
2	Handle	AISI A283-D
3	Stem Gland Screw	ASTM B16-C36000
4	Stem Packing	Teflon PTFE
5	Stem	ASTM B16-C36000
6	Thrust Washer	Teflon PTFE
7	Seat	Teflon PTFE
8	Ball Disc	ASTM-B283-C46400
9	End Plug	ASTM-B283-C46400
10	Body	ASTM-B283-C46400

Dimensions & Weights

Inches (millimeters) - Pounds (kilograms)

Valve Size	Dimensions				Wt.
	L	H	D	A	
½	1.92	1.50	0.5	3.15	0.33
	(49)	(38)	(13)	(80)	(0.15)
¾	2.72	1.85	0.75	4.33	0.73
	(69)	(47)	(19)	(110)	(0.33)
1	3.31	2.05	0.98	4.33	1.08
	(84)	(52)	(25)	(110)	(0.49)
1¼	3.78	2.36	1.26	5.12	1.50
	(96)	(60)	(32)	(130)	(0.68)
1½	4.29	2.56	1.50	5.12	2.07
	(109)	(65)	(38)	(130)	(0.68)
2	5.35	3.11	1.97	7.87	4.01
	(136)	(79)	(50)	(200)	(1.82)
2½	6.18	3.50	2.48	7.87	6.46
	(157)	(89)	(63)	(200)	(2.93)
3	7.09	3.86	2.95	7.87	9.06
	(180)	(98)	(75)	(200)	(4.11)



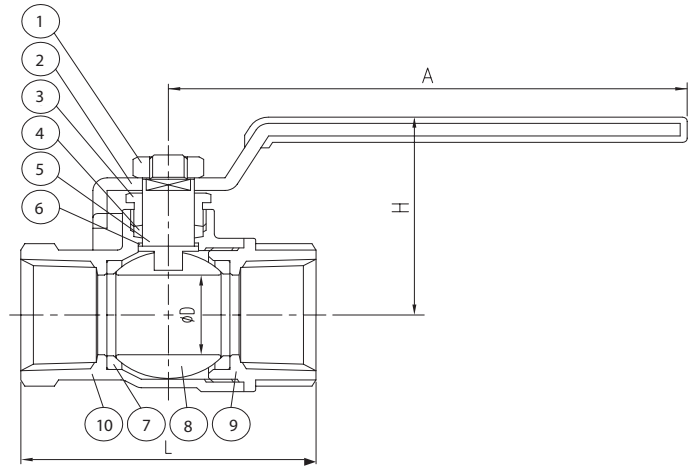
Certified to NSF/
ANSI/CAN 61 & 372

600 CWP • Full Port • Threaded End

LF201SJ

Stainless Steel Ball and Stem, 2-Piece body, PTFE Seats

Dimensions and workmanship conform to MSS SP-110
Complies with NSF/ANSI/CAN 61 & 372



Materials of Construction:

No.	Description	Material
1	Nut	AISI- 1010
2	Handle	ASTM A283-D
3	Stem Gland Screw	ASTM B16-C36000
4	Stem Packing	Teflon PTFE
5	Stem	ASTM S30400
6	Thrust Washer	Teflon PTFE Only 2" - 4"
7	Seat	Teflon PTFE
8	Ball Disc	ASTM S30400
9	End Plug	ASTM-B283-C46400
10	Body	ASTM-B283-C46400

Dimensions & Weights

Inches (millimeters) - Pounds (kilograms)

Valve Size	Dimensions				Wt.
	L	H	D	A	
½	2.12	1.5	0.5	3.15	0.40
	(54)	(38)	(12.7)	(80)	(0.18)
¾	2.48	1.85	0.75	4.33	0.75
	(63)	(47)	(19)	(110)	(0.34)
1	2.99	2.05	0.98	4.33	1.17
	(76)	(52)	(25)	(110)	(0.53)
1¼	3.35	2.36	1.26	5.12	1.94
	(85)	(60)	(32)	(130)	(0.88)
1½	3.62	2.56	1.50	5.12	2.49
	(92)	(65)	(38)	(130)	(1.13)
2	4.25	3.11	1.97	7.87	5.05
	(108)	(79)	(50)	(200)	(2.29)
2½	5.16	3.50	2.48	7.87	9.17
	(131)	(89)	(63)	(200)	(4.16)
3	5.91	3.86	2.95	7.87	13.30
	(150)	(98)	(75)	(200)	(5.58)
4	6.26	3.86	2.95	7.87	15.37
	(159)	(98)	(75)	(200)	(6.97)



Certified to NSF/
ANSI/CAN 61 & 372

600 CWP • Full Port • Solder End

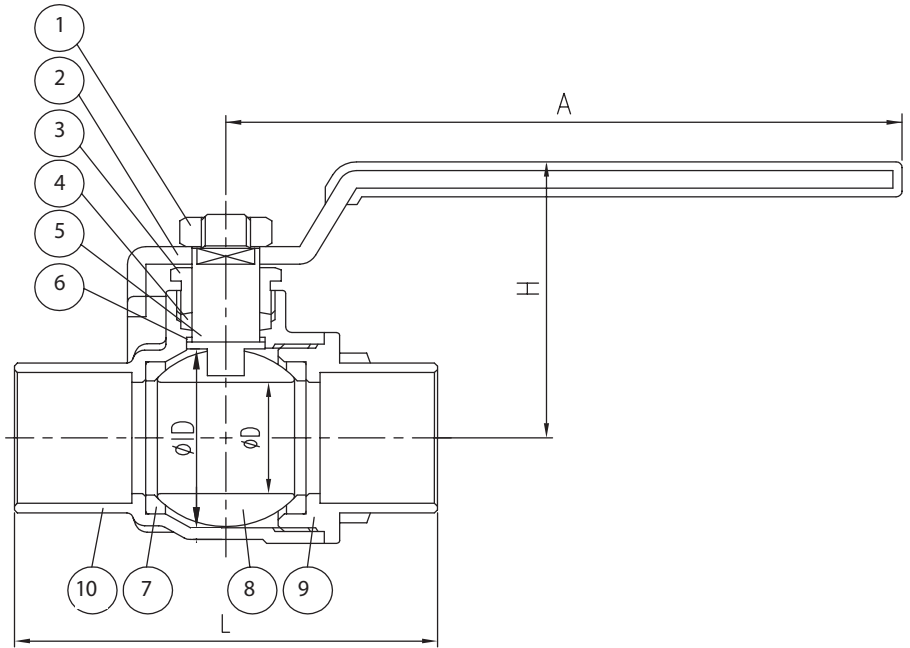
LF202SJ

Stainless Steel Ball and Stem, 2-Piece body, PTFE Seats

Dimensions and workmanship conform to
MSS SP-110
Complies with NSF/ANSI/CAN 61 & 372



Certified to NSF/
ANSI/CAN 61 & 372



Materials of Construction:

No.	Description	Material
1	Nut	AISI- 1010
2	Handle	ASTM A283-D
3	Stem Gland Screw	ASTM B16-C36000
4	Stem Packing	Teflon PTFE
5	Stem	ASTM S30400
6	Thrust Washer	Teflon PTFE Only 2" - 3"
7	Seat	Teflon PTFE
8	Ball Disc	ASTM S30400
9	End Plug	ASTM-B283-C46400
10	Body	ASTM-B283-C46400

Dimensions & Weights

Inches (millimeters) - Pounds (kilograms)

Valve Size	Dimensions				Wt.
	L	H	D	A	
½	1.93	1.50	0.5	3.15	0.31
	(49)	(38)	(12.7)	(80)	(0.14)
¾	2.72	1.85	0.75	4.33	0.68
	(69)	(47)	(19)	(110)	(0.31)
1	3.31	2.05	0.98	4.33	1.01
	(84)	(52)	(25)	(110)	(0.46)
1¼	3.78	2.36	1.26	5.12	1.74
	(96)	(60)	(32)	(130)	(0.79)
1½	4.29	2.56	1.50	5.12	2.29
	(109)	(65)	(38)	(130)	(1.04)
2	5.35	3.11	1.97	7.87	4.96
	(136)	(79)	(50)	(200)	(2.25)
2½	6.18	3.50	2.48	7.87	8.58
	(157)	(89)	(63)	(200)	(3.89)
3	7.09	3.86	2.95	7.87	12.28
	(180)	(98)	(75)	(200)	(5.57)

600 CWP • Full Port • Threaded End

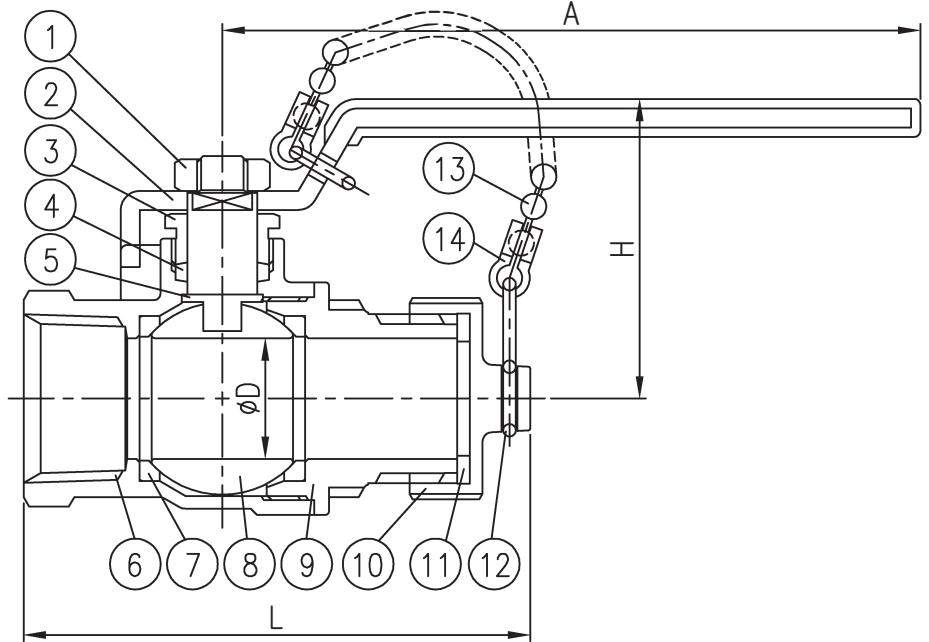
LF201CJ

Hose Cap and Chain, Pressure Rated Hose Cap*, 2-Piece body

Dimensions and workmanship conform to MSS SP-110
Complies with NSF/ANSI/CAN 61 & 372



Certified to NSF/
ANSI/CAN 61 & 372



Materials of Construction:

No.	Description	Material
1	Nut	AISI-1010
2	Handle	AS1M A283-D
3	Stem Gland Screw	ASTM B1 6-C36000
4	Stem Packing	Teflon PTFE
5	Stem	ASTM S30400
6	Body	ASTM-B283-C46400
7	Ball Disc Packing	Teflon PTFE
8	Ball Disc	ASIM S30400
9	End Plug	ASTM-B283-C46400
10	Cap Nut	ASTM B124-C37700
11	Nut Packing	NBR
12	Ring	ASIM S30400
13	Chain	Chrome Plated Brass
14	Plate	AS1M S43000

Dimensions & Weights

Inches (millimeters) - Pounds (kilograms)

Valve Size	Dimensions				Wt.
	L	H	D	A	
1/2"	2.83	1.5	0.5	3.15	0.55
	(72)	(38)	(12.7)	(80)	(.25)
3/4"	3.15	1.85	0.75	4.33	0.95
	(80)	(47)	(19)	(110)	(.43)

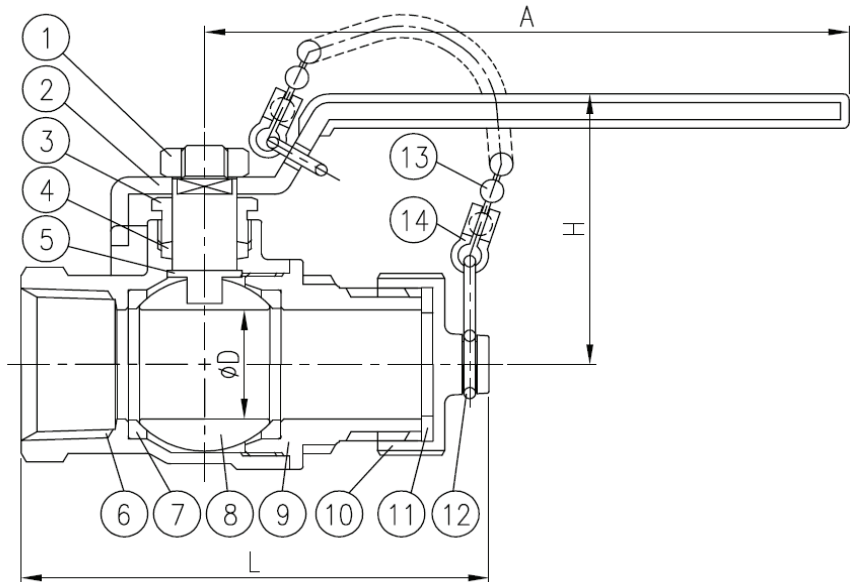
* Hose cap pressure rated to 150 psi W.O.G.

600 CWP • Full Port • Threaded End

LF201CSJ

**Stainless Steel Ball and Trim,
Hose Cap and Chain, Pressure
Rated Hose Cap*, 2-Piece body**

Dimensions and workmanship conform to
MSS SP-110
Complies with NSF/ANSI/CAN 61 & 372



Materials of Construction:

No.	Description	Material
3	Stem Gland Screw	B16-C36000
4	Stem Packing	PTFE
5	Stem	ASTM S30400
6	Body	ASTM-B283-C46400
7	Ball Disc Packing	PTFE
8	Ball Disc	ASTM S30400
9	End Plug	ASTM-B283-C46400
10	Cap Nut	ASTM-B283-C46400
11	Nut Packing	NBR
12	Ring	ASTM S30400
13	Chain	Chrome Plated Brass
14	Plate	ASTM S43000

Dimensions & Weights

Inches (millimeters) - Pounds (kilograms)

Valve Size	Dimensions				Wt.
	L	H	D	A	
1/2"	2.83	1.5	0.5	3.15	0.55
	(72)	(38)	(12.7)	(80)	(.25)
3/4"	3.15	1.85	0.75	4.33	0.95
	(80)	(47)	(19)	(110)	(.43)

* Hose cap pressure rated to 150 psi W.O.G.

600 CWP • Full Port • Solder End

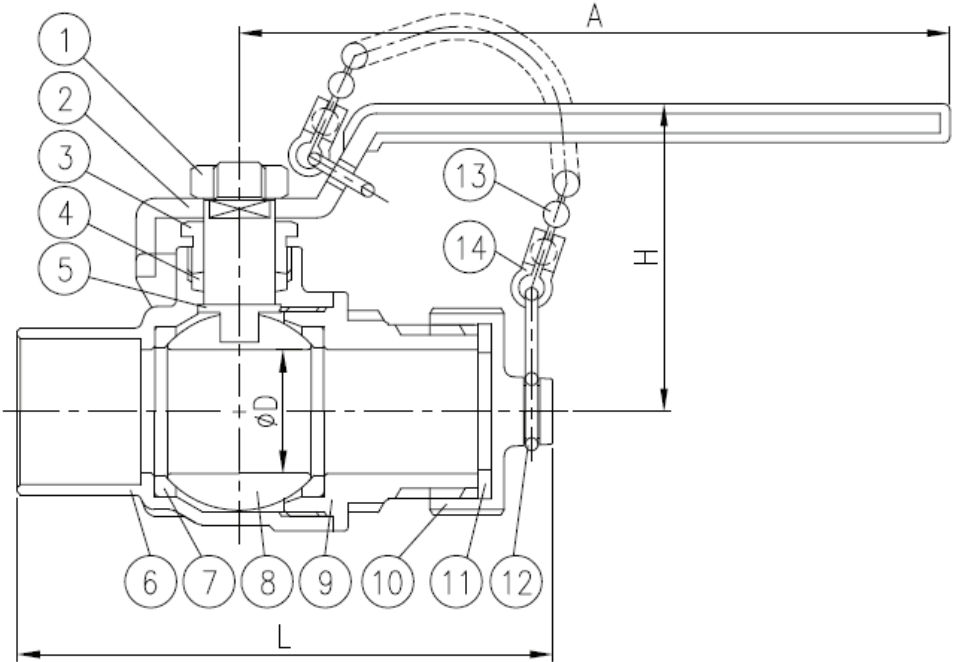
LF202CJ

Hose Cap and Chain, Pressure, Rated Hose Cap*, 2-Piece body

Dimensions and workmanship conform to MSS SP-110
Complies with NSF/ANSI/CAN 61 & 372



Certified to NSF/ANSI/CAN 61 & 372



Materials of Construction:

No.	Description	Material
1	Nut	AISI-1010
2	Handle	ASIM A283-D
3	Stem Gland Screw	ASJM B16-C36000
4	Stem Packing	Teflon PTFE
5	Stem	ASIM S30400
6	Body	ASTM-B283-C46400
7	Ball Disc Packing	Teflon PTFE
8	Ball Disc	ASIM S30400
9	End Plug	ASTM-B283-C46400
10	Cap Nut	ASJM B124-C37700
11	Nut Packing	NBR
12	Ring	ASIM S30400
13	Chain	Chrome Plated Brass
14	Plate	ASIM S43000

Dimensions & Weights

Inches (millimeters) - Pounds (kilograms)

Valve Size	Dimensions				Wt.
	L	H	D	A	
1/2"	2.71	1.5	0.5	3.15	0.51
	(69)	(38)	(12.7)	(80)	(.24)
3/4"	3.27	1.85	0.75	4.33	0.90
	(83)	(47)	(19)	(110)	(.41)

* Hose cap pressure rated to 150 psi W.O.G.

600 CWP • Full Port • Solder End

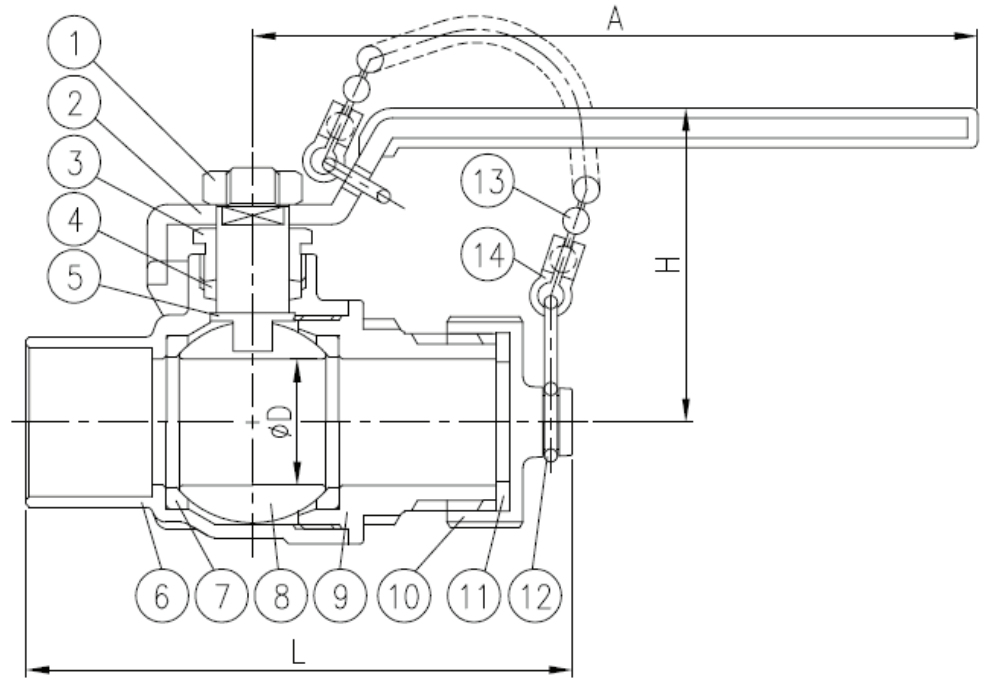
LF202CSJ

Stainless Steel Ball and Trim, Hose Cap and Chain, Pressure, Rated Hose Cap*, 2-Piece body

Dimensions and workmanship conform to
MSS SP-110
Complies with NSF/ANSI/CAN 61 & 372



Certified to NSF/
ANSI/CAN 61 & 372



Materials of Construction:

No.	Description	Material
1	Nut	AISI-1010
2	Handle	A283-D
3	Stem Gland Screw	B16-C36000
4	Stem Packing	PTFE
5	Stem	ASTM S30400
6	Body	ASTM-B283-C46400
7	Ball Disc Packing	PTFE
8	Ball Disc	ASTM S30400
9	End Plug	ASTM-B283-C46400
10	Cap Nut	ASTM B124-C37700
11	Nut Packing	NBR
12	Ring	ASTM S30400
13	Chain	Chrome Plated Brass
14	Plate	ASTM S43000

Dimensions & Weights

Inches (millimeters) - Pounds (kilograms)

Valve Size	Dimensions				Wt.
	L	H	D	A	
1/2"	2.71	1.5	0.5	3.15	0.51
	(69)	(38)	(12.7)	(80)	(.24)
3/4"	3.27	1.85	0.75	4.33	0.90
	(83)	(47)	(19)	(110)	(.41)

* Hose cap pressure rated to 150 psi W.O.G.



Crane ChemPharma & Energy
5 Cherry Blossom Road, Unit 4
Cambridge, Ontario N3H 4R7
Tel: +1 800 563 6302
Fax: +1 519 623 7635
www.cranecpe.com



brands you trust.



COMPAC-NOZ



DEPA

ELRO DUO-CHEK



NOZ-CHEK



RESISTOFLEX



Saunders
the science inside

STOCKHAM



UNI-CHEK

w.ta

XOMOX

Crane Co., and its subsidiaries cannot accept responsibility for possible errors in catalogues, brochures, other printed materials, and website information. Crane Co. reserves the right to alter its products without notice, including products already on order provided that such alteration can be made without changes being necessary in specifications already agreed. All trademarks in this material are property of the Crane Co. or its subsidiaries. The Crane and Crane brands logotype, in alphabetical order, (ALOYCO, CENTER LINE, COMPAC-NOZ, CRANE, DEPA, DUO-CHEK, ELRO, FLOWSEAL, JENKINS, KROMBACH, NOZ-CHEK, PACIFIC VALVES, RESISTOFLEX, REVO, SAUNDERS, STOCKHAM, TRIANGLE, UNI-CHEK, WESTLOCK CONTROLS, WTA, and XOMOX) are registered trademarks of Crane Co. All rights reserved.