



brands you trust.



High Performance Butterfly Valves

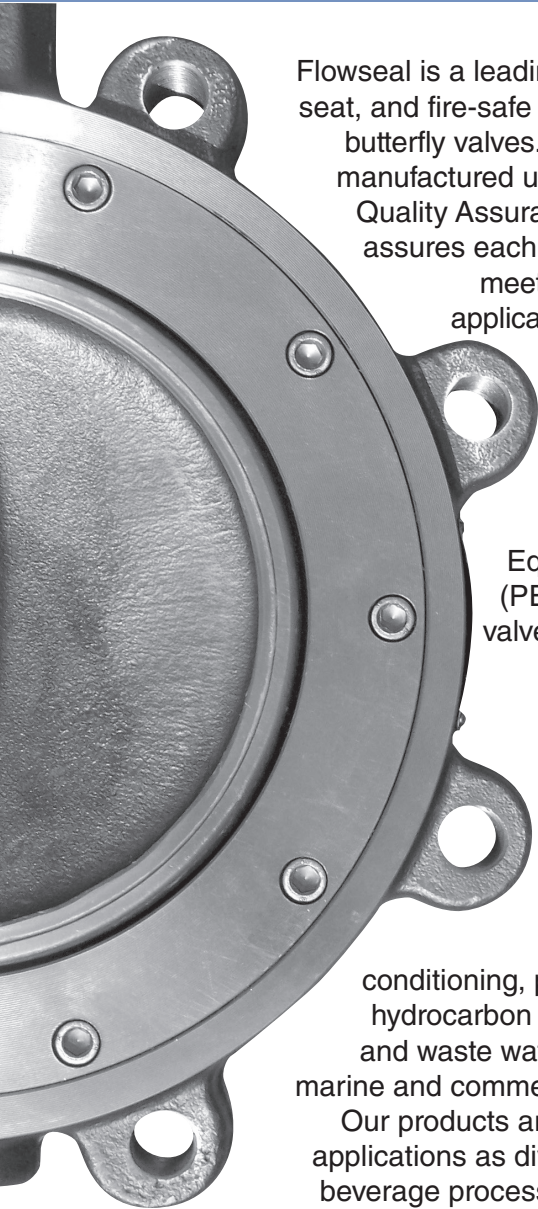


Crane ChemPharma & Energy

www.cranecpe.com



Key Features & Applications



Flowseal is a leading provider of soft seat, and fire-safe high performance butterfly valves. Our products are manufactured under an ISO 9001 Quality Assurance Program that assures each valve we produce meets or exceeds your application requirements.

Additionally, our Design and Manufacturing facility is certified to the Pressure Equipment Directive (PED), and Flowseal valves can be ordered as CE marked.

Flowseal high performance butterfly valves are a standard in many industries including heating, ventilating and air conditioning, power generation, hydrocarbon processing, water and waste water treatment, and marine and commercial shipbuilding. Our products are also installed in applications as diverse as food and beverage processing, snowmaking and pulp and paper production.

Configurations are available for harsh conditions as well as applications requiring nominal pressure and temperature ratings.

As part of Crane Valve Group, Flowseal high performance butterfly valves are backed by the resources and experience of one of the world's largest valve producers with a delivery and quality track record that is unparalleled in the industries we serve.

Key Features & Benefits

- 1 High performance shutoff and modulating service for standard industrial process lines
- 2 Materials of construction options include Carbon and Stainless Steels
- 3 Sizes up to 48", both wafer and lugged body styles available, classes 150 – 600

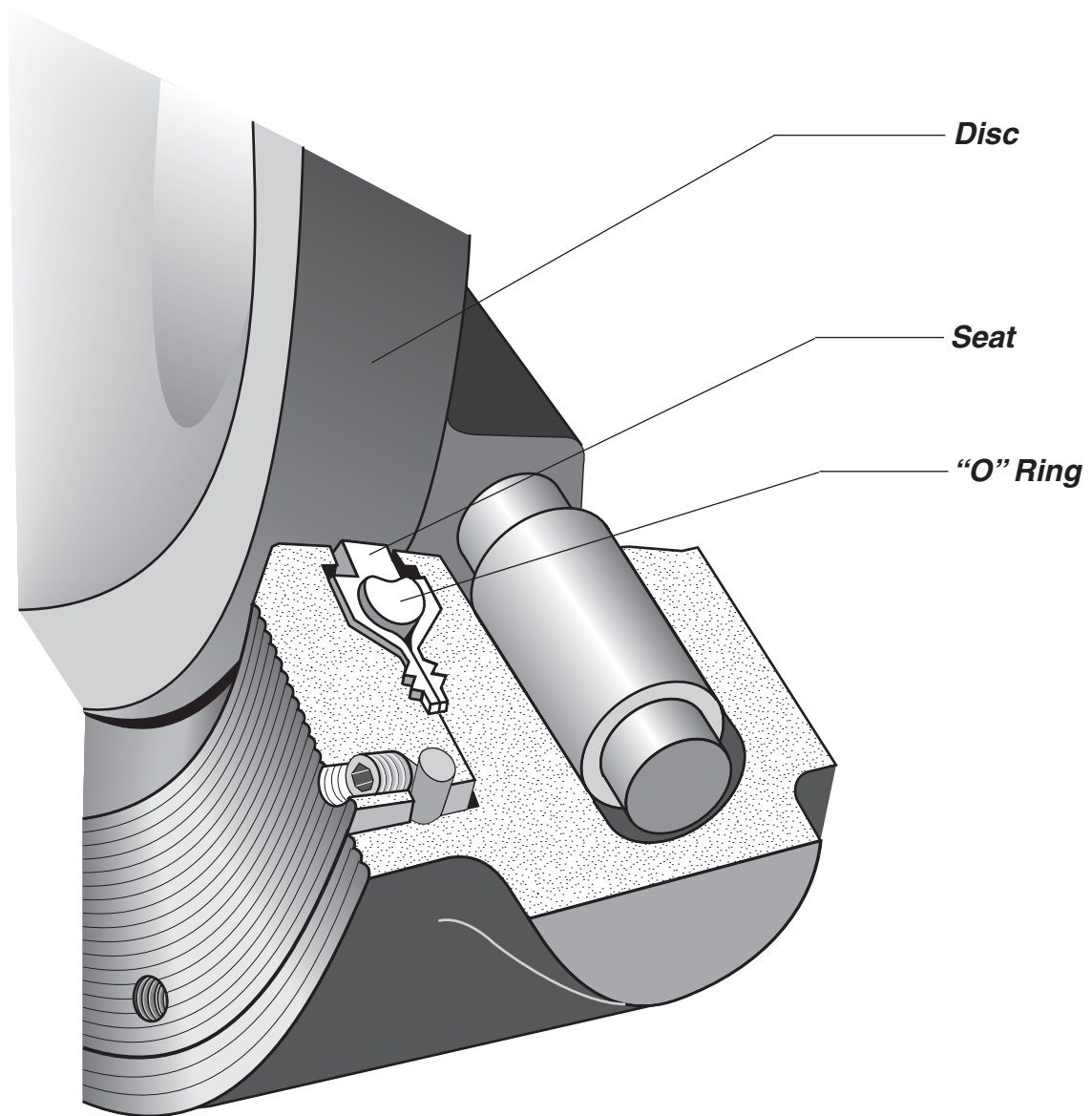
Typical Applications

- Hydrocarbon Processing
- Chemical/Petrochemical Processing
- Marine and Commercial Shipbuilding
- Power and Utilities
- Pulp and Paper

NOTE: In keeping with our policy of continuing improvement, we reserve the right to institute changes in design, material, dimensions, or specifications without notice and without incurring any obligation to make such changes and modifications on product previously or subsequently sold.

* For valves supplied with a chainwheel, the positive restraint option is recommended.

Unique Valve Seat Design **Soft Seat**



Flowseal is one of the world's leading manufacturers of high performance butterfly valves. Based on many years of research, development, and field experience, the Flowseal design is superior to, and more versatile than, the High Performance Butterfly Valve design offered by other manufacturers.

The Flowseal soft seat valve provides a bi-directional bubble tight shutoff (zero leakage) by the use of a patented seat. This unique seat design creates a self-energized seal in vacuum-to-low pressure applications.

Under higher pressure conditions, the seat is also designed to permit, confine, and direct movement of the soft seat against the disc edge, up to the full ASME Class 150, 300 and 600 Cold Working Pressures.

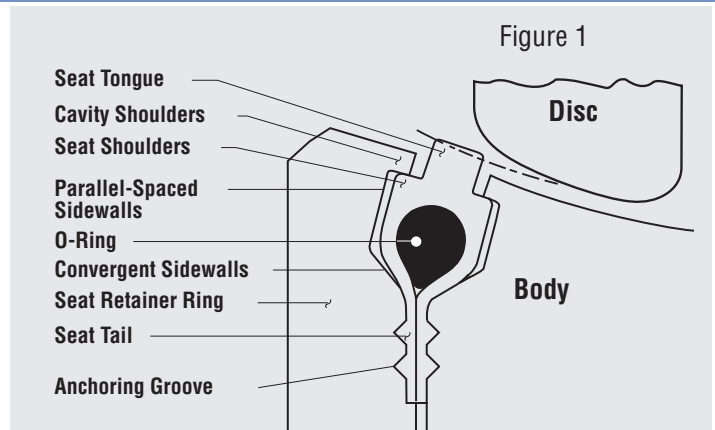
The soft seat is designed for high services with minimal wear and low torque. Seat replacement is a simple operation, requiring no special tools.

Principle of Seat Sealing Soft Seat

DISC OPEN

In Figure 1, the disc and seat are not engaged. In this position, the shoulders of the seat are forced against the cavity shoulders by the compression of the o-ring.

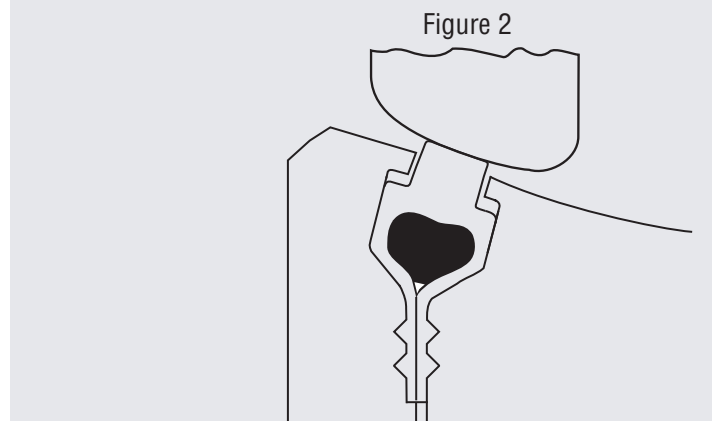
The seat is recessed inside the seat cavity and acts as a gasket in the anchoring groove area. The seat cavity is sealed from exposure from the process fluid and protects the seat from abrasion and wear. The o-ring, which is completely encapsulated by the seat, is also isolated from exposure to the process fluid.



DISC CLOSED, Self-Energized Seal

In Figure 2, the Flowseal disc and seat are engaged, and the process fluid is under low pressure. The edge of the disc, with a larger diameter than the seat tongue, directs movement of the seat radially outward, causing the seat to compress against the convergent sidewalls of the cavity. The elastomeric o-ring imparts a mechanical pre-load between the disc and seat tongue as it is compressed and flattened by the disc; this is the self-energized mode for sealing at vacuum-to-60 psig.

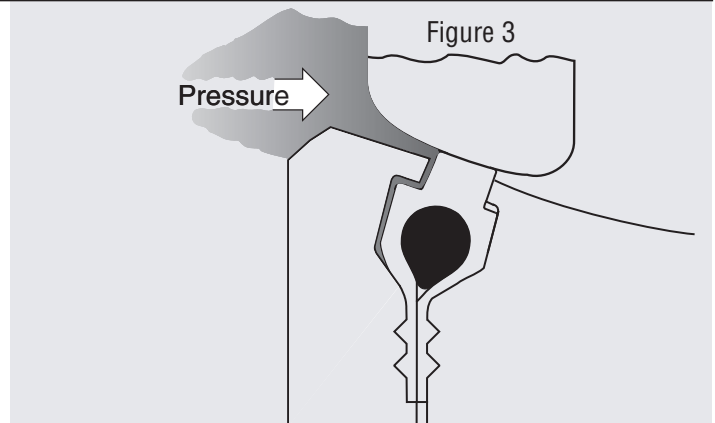
As the seat moves radially outward, the seat shoulders move away from the cavity shoulders and open the cavity to the process media.



DISC CLOSED, Pressure-Energized Seal (Seat Upstream)

As line pressure increases, the process fluid enters the sidewall area and applies a load against the parallel-spaced sidewall and convergent sidewall of the seat. The seat and cavity design permits the seat to move axially to the downstream sidewall, but confines the movement and directs the movement radially inward towards the disc; the higher the line pressure, the tighter the seal between the disc and seat. Because the o-ring is elastic, it is able to flex and deform under loads and return to original shape after removal of the load; it is the rubber which deforms, not the thermoplastic material.

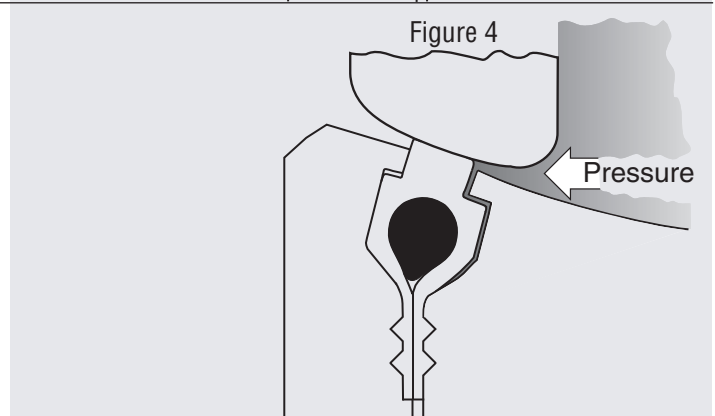
This dynamic seal, patented by Flowseal, is totally unique among high performance butterfly valves.



DISC CLOSED, Pressure-Energized Seal (Seat Downstream)

The Flowseal valve is bi-directional (in some instances, modifications may be required to operate this arrangement for dead end service). The cavity and seat sidewalls are symmetrically designed to permit, confine, and direct movement of the seat to the disc to dynamically seal with line pressure in the reverse direction. The disc edge is the segment of a sphere, and the seat is angled towards the disc edge to seal with pipeline pressure in either direction.

Recommended installation direction is "SUS" (seat upstream), as in Figure 3.



Valve Components Soft Seat

KEY

Square key valve-to-operator connection provides an externally controlled failure point upon over-torquing.

GLAND FLANGE

Applies load against packing gland to prevent external leakage. Fully adjustable.

PACKING

Chevron design TFE prevents external leakage out valve neck to full ASME hydrostatic shell test pressures (150% of C.W.P.).

WEDGE RING

Stainless steel band wedged between valve body and retainer ring by set screws to lock seat and retainer ring in position on valve sizes 2" through 30". Socket head cap screws are used on valve sizes 36" and larger.

SET SCREWS

Cone point screws force wedge ring outward to lock seat retainer in position on valve sizes 2" through 30" wafer. Socket head cap screws are used on valve sizes 36" and larger and all DDES lug valves.

OVERTRAVEL STOP

Prevents disc from rotating into the wrong quadrant.

SOFT-SEAT

Patented bi-directional seat with encapsulated elastomeric o-ring core for resiliency. Common seat materials include TFE, RTFE and UHMWPE.

BLOW OUT PROOF SHAFT

Solid shaft provides alignment and rigid support for disc.

PACKING GLAND

Separate part from gland flange, preventing uneven load distribution against packing.

BEARINGS

Both above and below the disc, bearings are of composite design: PTFE bonded to epoxy-glass filament wound ring. Used to align shaft, with high capacity, low wear, and low friction coefficient.

DISC SPACERS

Disc is centered by use of thrust spacers around shaft in sizes 2" to 5". Disc position stops or thrust bolt arrangements are used for larger valve sizes.

WEDGE PINS

Provide positive mechanical attachment of disc to shaft.

BODY

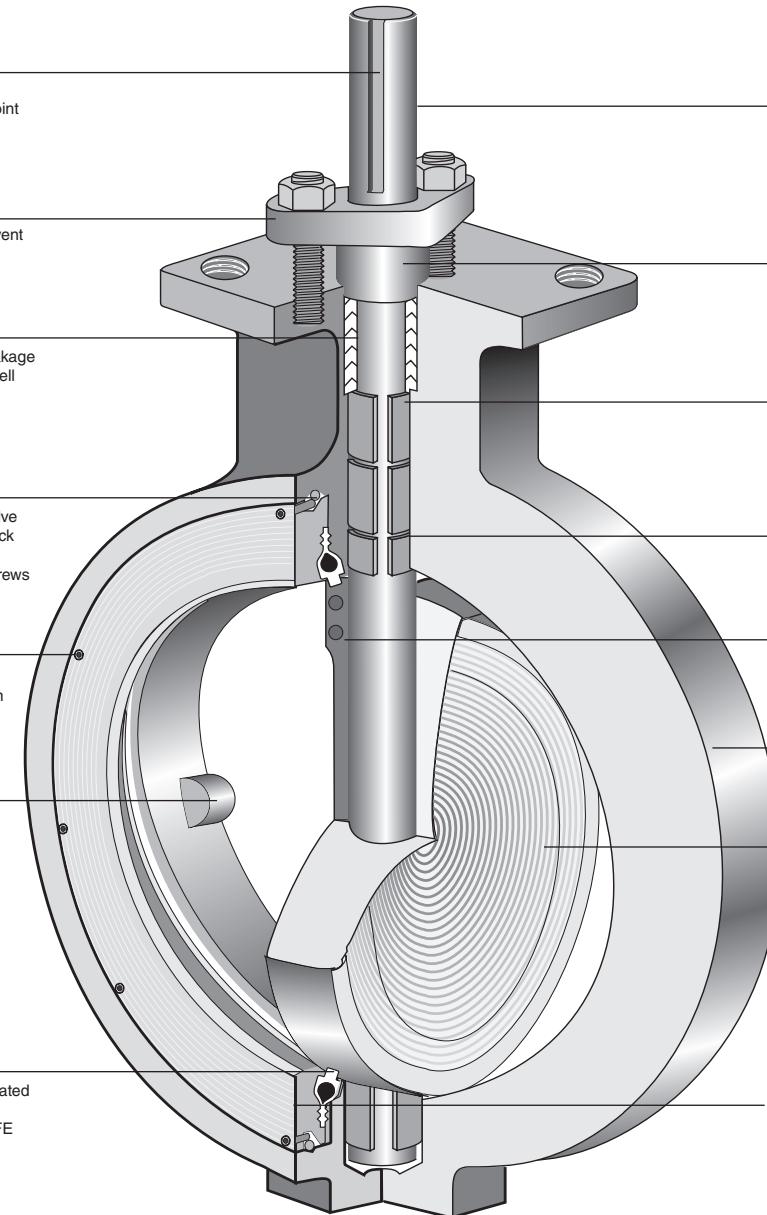
ASME B16.34 design in either wafer or lug configuration.

DISC

360° uninterrupted spherical edge for sealing. Profile is designed for maximum flow and equal percentage control.

RETAINER RING

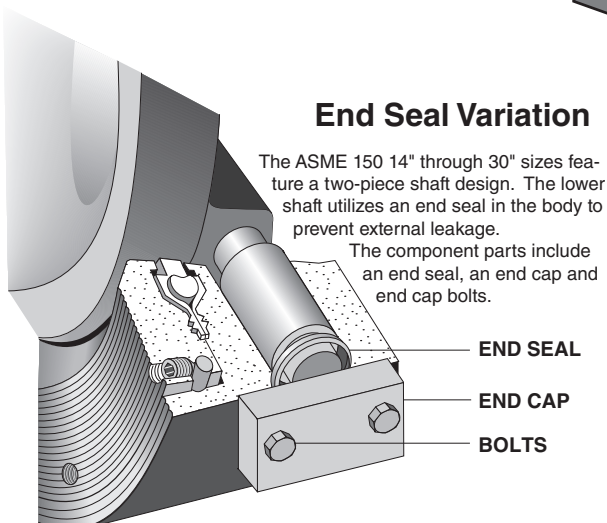
Retains seat in valve. Standard surface finish is 125 to 200 AARH and is compatible with both standard gaskets and spiral wound gasket designs. Outside diameter is recessed within gasket sealing surface to prevent external leakage.



End Seal Variation

The ASME 150 14" through 30" sizes feature a two-piece shaft design. The lower shaft utilizes an end seal in the body to prevent external leakage.

The component parts include an end seal, an end cap and end cap bolts.

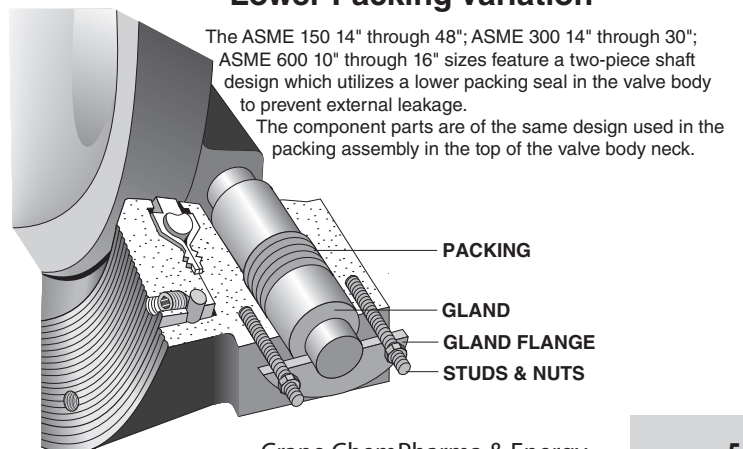


- END SEAL
- END CAP
- BOLTS

Lower Packing Variation

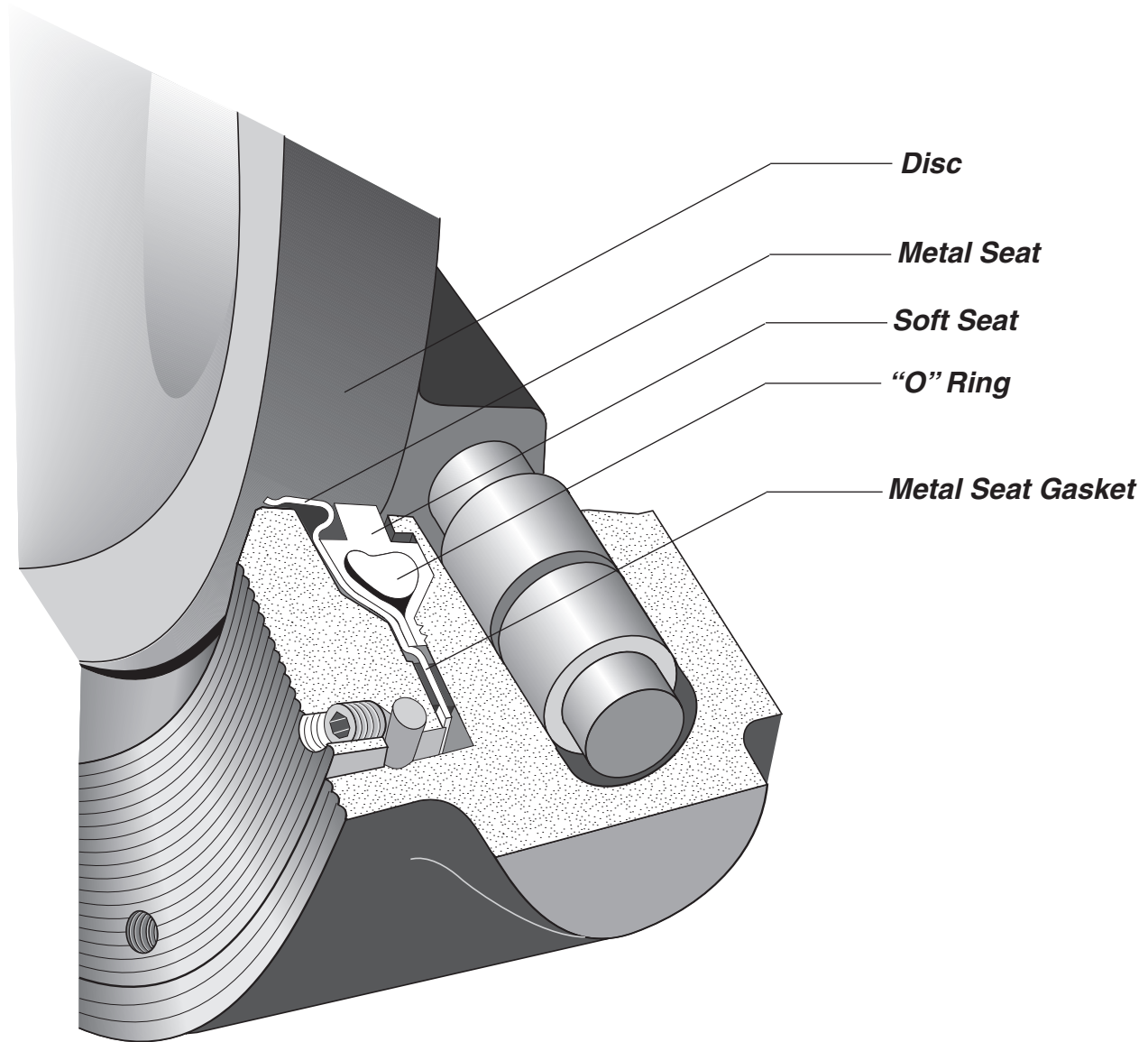
The ASME 150 14" through 48"; ASME 300 14" through 30"; ASME 600 10" through 16" sizes feature a two-piece shaft design which utilizes a lower packing seal in the valve body to prevent external leakage.

The component parts are of the same design used in the packing assembly in the top of the valve body neck.



- PACKING
- GLAND
- GLAND FLANGE
- STUDS & NUTS

Unique Valve Seat Design Fire Flow



The Flowseal Fire-Flow™ high performance butterfly valve (HPBV) is a fire-safe, soft seat quarter-turn valve. The Fire-Flow™ design incorporates two patented seats which function together to seal off pipeline flow. In normal operation, the soft seat provides a bi-directional “bubble tight” shutoff (zero leakage); the metal seat provides bi-directional shutoff in the event of a fire, in conformance to industry fire-safe requirements.

With little or no pressure, the Fire-Flow seat creates a self-energized seal against the disc. Higher line pressures act on

the geometry of both seats to dynamically load them against the disc, creating higher sealing forces in either direction.

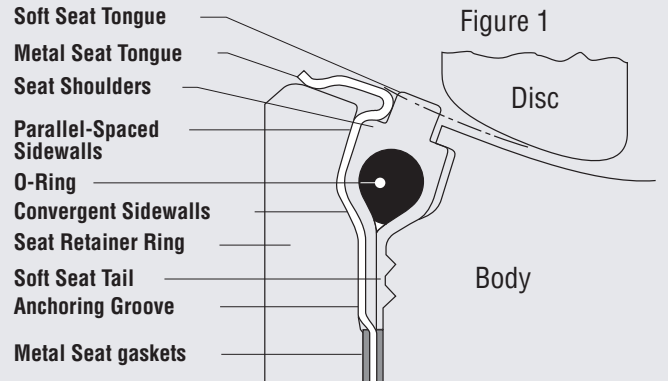
The Fire-Flow™ metal seat is made of Inconel® material which is shaped by a proprietary hydroforming process into its unique, patented design. Stainless steel outer bearings are included for post-fire disc and shaft alignment. Fireproof packing is used to prevent external shaft leakage.

Principle of Seat Sealing Fire Flow

DISC OPEN, Normal Operation

In Figure 1, the disc and seat assembly are not engaged. In this position, the metal seat acts to keep the soft seat inside the seat cavity while the soft seat shoulders seal the cavity from exposure to the process fluid. (The o-ring is under tension and imparts a load against the soft seat.)

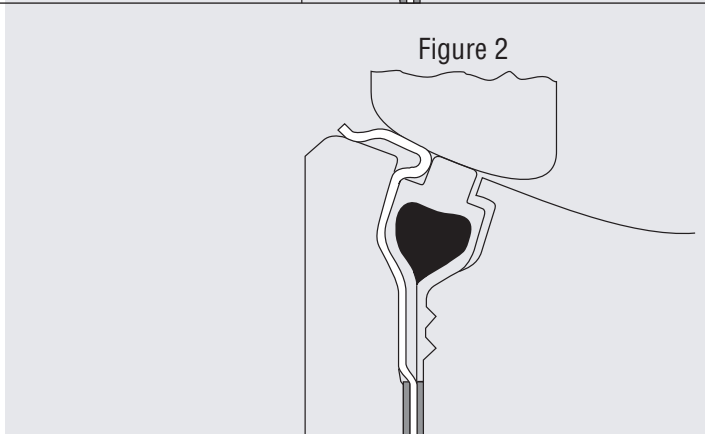
The soft seat is protected from abrasion and wear because it is recessed inside the seat cavity area. The o-ring is isolated from exposure to the fluid because it is completely encapsulated by the seat tails which act as a (soft) gasket in the anchoring groove area. The metal seat gaskets add further high temperature protection past the anchoring grooves.



DISC CLOSED, Normal Operation

In Figure 2, the disc and seat assembly are engaged; both the metal seat and the soft seat are in contact with the disc. Under little to no pressure conditions, both seats are self-energized. The disc edge, with a larger diameter than the seat tongues, moves the seats radially outward; the metal seat shape, with a mechanical and dynamic flexibility, is designed to be hoop-loaded and impart a spring force against the disc, while the soft seat o-ring is stretched and flattened (without deformation of the material) and imparts a mechanical pre-load against the disc.

With increased line pressure, the process fluid enters the cavity sidewall area and applies loads against the seat sidewalls. The cavity design allows the seats to move toward the downstream sidewalls, but confines and directs the movement radially inward towards the disc; the higher the pressure the tighter the seal. The symmetrical shape and angle of the cavity permit the seal to be bi-directional.

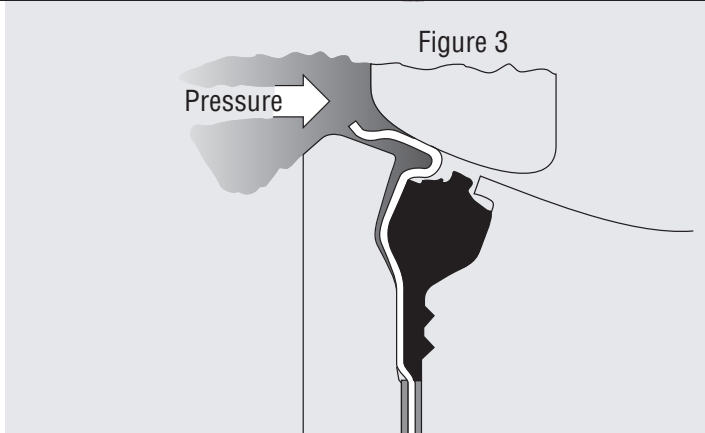


DISC CLOSED, After Fire (Seat Upstream)

After a fire, with partial or complete destruction of the soft seat, the metal seat maintains metal-to-metal contact with the disc and restricts leakage of the process fluid in conformance to industry fire-safe requirements.

With little or no line pressure, the spring force and hoop load of the metal seat maintain a “line contact” seal against the disc edge. Under higher pressures, the process fluid enters the cavity sidewall areas and applies loads against the seat sidewalls (Figure 3). The geometry of the metal seat permits the seat to move axially, but directs the movement radially inward toward the disc. The higher the pressure, the tighter the line contact seal.

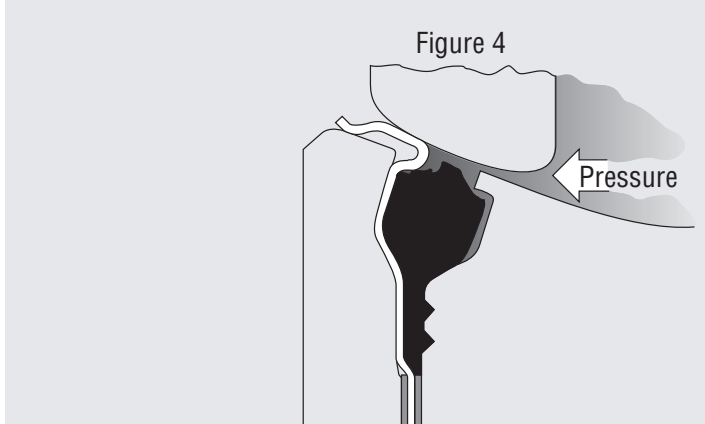
Graphite gaskets, on both sides of the metal seat tail, seal the anchoring groove and prevent leakage of the process fluid.



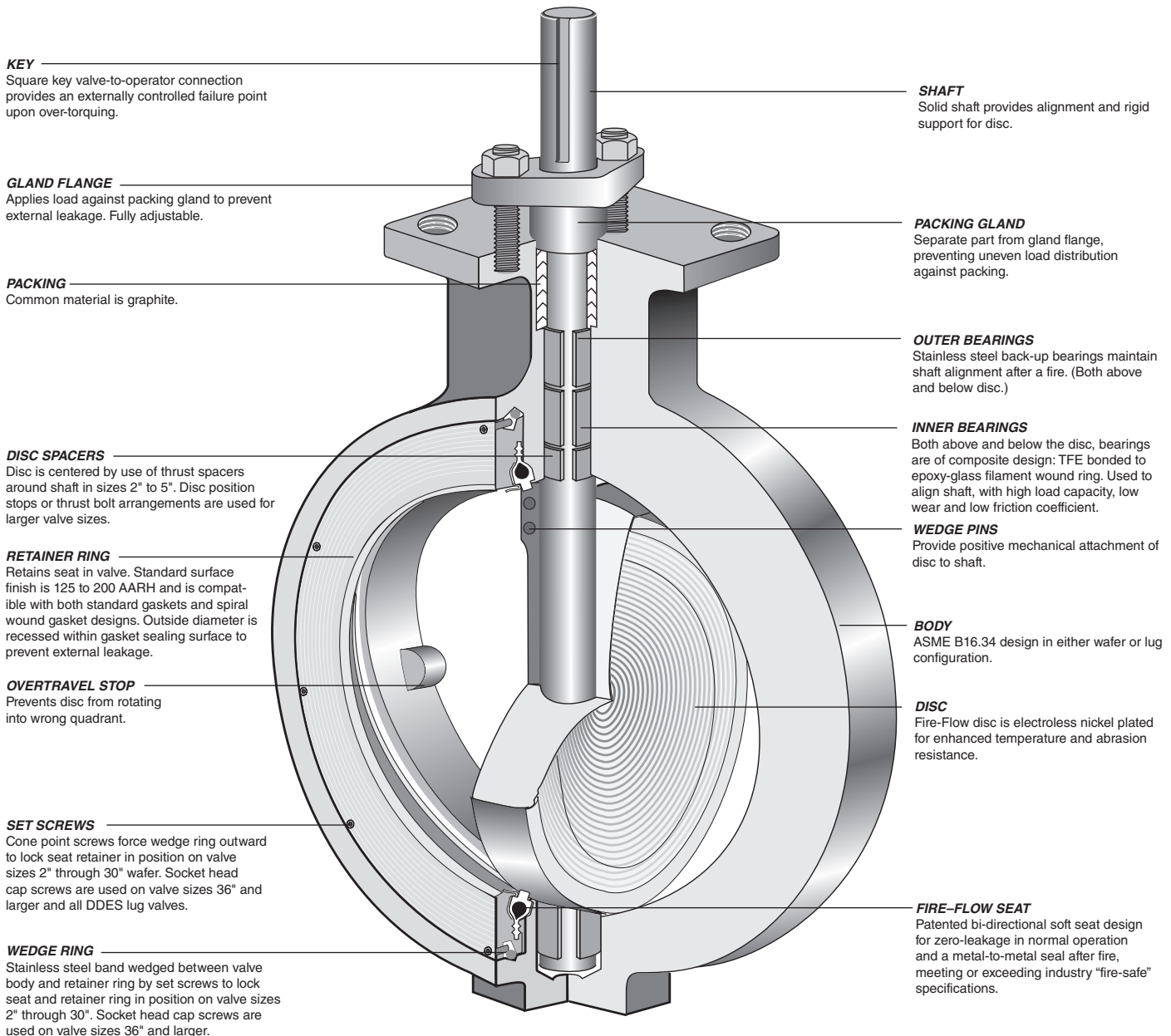
DISC CLOSED, After Fire (Seat Downstream)

The Flowseal Fire-Flow™ valve is bi-directional; however, modifications are required to operate for bi-directional dead end service. The angle and shape of the cavity and metal seat maintains metal-to-metal contact in the event of partial or complete soft seat destruction with line pressure in the reverse direction (Figure 4).

While the preferred flow direction is “seat upstream” (SUS), the bi-directional seat design is both self-energized and pressure-energized if the flow direction is “seat downstream” (SDS).

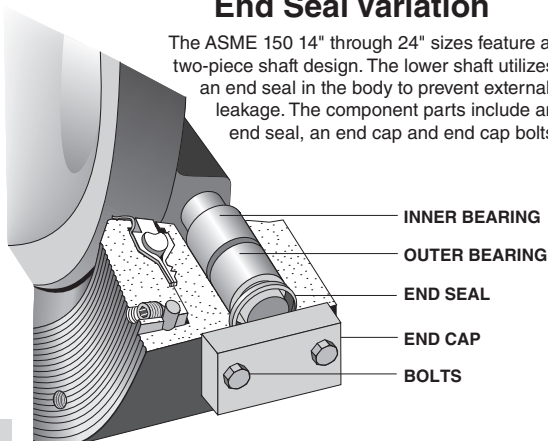


Valve Components Fire Flow



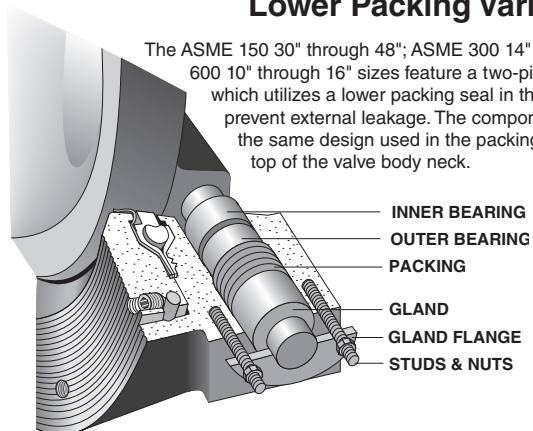
End Seal Variation

The ASME 150 14" through 24" sizes feature a two-piece shaft design. The lower shaft utilizes an end seal in the body to prevent external leakage. The component parts include an end seal, an end cap and end cap bolts.

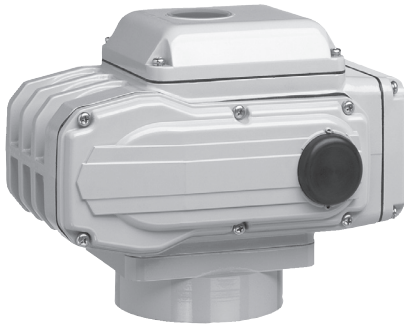


Lower Packing Variation

The ASME 150 30" through 48"; ASME 300 14" through 30"; ASME 600 10" through 16" sizes feature a two-piece shaft design which utilizes a lower packing seal in the valve body to prevent external leakage. The component parts are of the same design used in the packing assembly in the top of the valve body neck.



Actuators



ELECTRIC-ON-OFF

Standard Features:

Torque Range— 347 lb ins to 17,359 lb ins
 Housing— NEMA4 & 4X
 Electric Motor —120VAC, 1 PHASE, 60Hz
 Thermal Overload—Auto re-set
 Limit Switches— Adjustable cam operated
 Position Indicator—Mechanical Dial Type
 Space Heater—Located in the control compartment
 Terminal Strip— Pre-wired for motor & limit switches
 Manual Override— Directing acting
 Brake—“Lock-cut” gear arrangement
 Adjustable Mechanical Travel Stops
 Temperature Range— -13°F to 131°F (-25°C to 55°C)
 Mounting— Direct mount to Center Line valves
 Certification/Approvals— CSA-NRTL/C

Optional Features:

AC Voltages— 220VAC, 1 PHASE, 60 Hz
 AC Voltages— 24 VAC 44005-44400
 DC Voltages— 12/24 VDC 4005-44300
 Additional Limit Switches—2 SPDT
 Torque Switches— Adjustable open and close
 Feedback Potentiometer— 500 ohm
 Feedback Transmitter—4-20 mA
 De-clutchable Handwheel Override

ELECTRIC-MODULATING

Standard Features:

Process Control Signal—4-20 mA, 0-10 V DC
 Torque Range—347 lb ins to 17,359 lb ins
 Housing— NEMA4 & 4X
 Electric Motor —120VAC, 1 PHASE, 60 Hz
 Thermal Overload—Auto re-set
 Resolution—400 increments through 90 degrees
 Position Indicator— Mechanical Dial Type
 Space Heater—Located in the control compartment
 Terminal Strip— Pre-wired for motor & limit switches
 Manual Override— Directing acting
 Brake—“Lock-cut” gear arrangement
 Adjustable Mechanical Travel Stops
 Temperature Range— -13°F to 131°F (-25°C to 55°C)
 Mounting— Direct mount to Center Line valves
 Certification/Approvals— CSA-NRTL/C

Optional Features

AC Voltages— 220VAC, 1 PHASE, 60 Hz
 AC Voltages— 24 VAC 44010M- 44200M
 Torque Switches— Adjustable open and close
 De-clutchable Handwheel Override



PNEUMATIC-DOUBLE ACTING

Standard Features:

Torque Range—80 lb ins to 60,623 lb ins
 Housing— Castalloy aluminum, polyurethane coated
 Mounting— ISO5211
 Top and Solenoid Mounting Pad— NAMUR
 Position Indicator— Mechanical “Cap” Type
 Operating Pressure— 20 to 120 PSIG
 Temperature Range— 4°F to 175°F (-15°C to 79°C)
 Size Range—12 models to choose from
 Adjustable Travel Stops— Both directions
 Mounting— Direct mount to Center Line valves

Optional Features:

Temperature Range— 4°F to 250°F, -40°F to 175°F
 (-15°C to 121°C, -40°C to 79°C)
 Solenoid Valves— 3 or 4 way
 Limit Switches— Adjustable cam operated
 Positioners— Pneumatic or Electro-pneumatic
 DC-1 Dribble Control— Two-stage shutoff
 180° Actuation— 2 or 3 position
 Manual Override— De-clutchable gear type
 Speed Controls— Adjust cycle time
 Special Applications— Offshore, nuclear, hygienic,
 and gas or oil operation

PNEUMATIC-SPRING RETURN

Standard Features:

Torque Range—80 lb ins to 41,341 lb ins
 Housing— Castalloy aluminum, polyurethane coated
 Mounting— ISO5211
 Top and Solenoid Mounting Pad— NAMUR
 Position Indicator— Mechanical “Cap” Type
 Operating Pressure— 20 to 120 PSIG
 Temperature Range— 4°F to 175°F (-15°C to 79°C)
 Size Range—12 models to choose from
 Adjustable Travel Stops— Both directions
 Mounting— Direct mount to Center Line valves

Optional Features

Temperature Range— 4°F to 250°F, -40°F to 175°F
 (-15°C to 121°C, -40°C to 79°C)
 Solenoid Valves— 3 or 4 way
 Limit Switches— Adjustable cam operated
 Positioners— Pneumatic or Electro-pneumatic
 DC-1 Dribble Control— Two-stage shutoff
 180° Actuation— 2 or 3 position
 Manual Override— De-clutchable gear type
 Speed Controls— Adjust cycle time
 Special Applications— Offshore, nuclear, hygienic,
 and gas or oil operation



Ordering Information

Effective October 1, 2020



Example: 12 - 1WA - 171MTG - 30J:

12" Wafer Style Class 150 Carbon body, Straight 17-4 Ph SS Stem, 316 SS Nitrided Disc, Inconel® Seat, TFE Pkg, Garfil Bearings, Gear Operated

1. Size	Code	6. Disc Material	Code	11. Actuator Type	Code
2"	02	316 SS	2	Bare Shaft	B
2 ½"	025	Monel®	3	Worm Gear w/2" Square Nut & Handwheel	D
3"	03	Alum Bronze B148 ASTM C958	8	Ratchet Handle	H
4"	04	316 SS/ENP	9	Throttle	T
to		Monel®/ENP	M	Worm Gear	3
48"	48			Worm Gear (4-way keyed)	9
				Pneumatic Double Acting	4
				Pneumatic SR Fail Close	5
				Pneumatic SR Fail Open	6
				Hydraulic	7
				Electric	8
2. Body Class	Code	7. Shaft Material	Code	12. Special Feature	Code
150 PSI Max. Diff. Pressure	0	17-4PH DHT SS	D	None	O
ASME 150	1	316 SS ¹	2	Oxygen Service	A
ASME 300	3	Monel®	3	Chlorine Service	C
ASME 600	6			CE Marked Non-Impact Tested ³	PN
				CE Marked Impact tested ³	PI
				CE Marked NON-Impact Tested	VN
				w/ Vacuum Service ³	VI
				CE Marked Impact Tested	
				w/ Vacuum Service ³	
				Silicone Free	G
				Epoxy Coated Body	H
				Chainwheel	J
				Stem Extension	K
				Lockable Gear	L
				NACE Construction ⁵	N
				NACE Construction	NN
				w/CE Marked NON-Impact Tested ^{3,5}	
				NACE Construction	NI
				w/CE Marked Impact Tested ^{3,5}	
				Buried Service	R
				Drill Through Lugs	T
				Drill Through Lugs and NACE Construction	TN
				Vacuum Service	V
3. Body Type	Code	8. Seat Material / O-Ring	Code	Only select ONE special feature code per part number.	
Wafer	W	TFE / Viton® ⁴	T	13. Series	Code
Lugged	L	RTFE / Silicone ⁵	R	*Factory Assigned	J
Lugged DDES ²	D	RTFE / Viton® ⁴	P	*Factory Assigned (This pertains to 3", 4", 6", 8", 10", & 12" Class 150 Soft Seat Valves)	K
		Polyethylene (UHMWPE) / Viton® ⁴	L		
		Fire-Flow (TFE & Inconel®) / Viton® ⁴	F		
		Fire-Flow (RTFE & Inconel®) / Viton® ⁴	A		
		Fire-Flow (RTFE & Inconel®) / Silicone B	B		
4. Shaft Design	Code	9. Packing Material	Code		
Straight	A	TFE	T		
ASME 150 2" - 12"		Graphite	G		
ASME 150 36" - 48"		Fire-Flow	F		
ASME 300 2" - 12" & 30"		Live-Load Packing/TFE	A		
ASME 600 2" - 8"		Live-Load Packing/Graphite	B		
Balanced	C	Live-Load Packing/Fire-Flow	C		
Class 150 14" - 30"		EF Seal (Viton® O-Rings)/TFE (Low Emissions)	D		
De-rated 150** 36" - 48"					
ASME 300 14" - 24"					
ASME 600 10" - 16"					
5. Body Material	Code	10. Bearing Material	Code		
Carbon Steel	1	Glass Backed TFE	G		
316 SS	2	316 SS Backed TFE	H		
Alum Bronze	5	Fire-Flow (Garfil & 316 SS)	F		
Aluminum Bronze B148 ASTM C958	8	Stainless Steel Nitrided	S		
		Bronze	B		
		Monel®	K		

** 150 psig maximum

FLOWSEAL ACTUATOR OPTIONS:

- Lever:**
- Not recommended for Metal Seat
 - High Performance Butterfly Valve

Worm Gear Operators:

- Five types available:**
- Buried service
 - Submersible service
 - Marine service
 - Standard aluminum handwheel

Optional:

- Chain wheel
- Output shaft extension
- Input shaft extension
- Military special operator

Hydraulic Actuator:

- Customer specified hydraulic actuator

Pneumatic Actuators:

- Crane Air spring return pneumatic actuator
- Crane Air double acting pneumatic actuator
- Customer specified pneumatic actuator

Electric Actuators:

- Series 44000 electric actuator
- Customer specified electric actuator

Note¹ Shaft materials other than 17-4 PH or Monel® will affect working pressure ratings. Please consult factory.

Note² DDES = Double Dead End Service.

Note³ For CE marked valves, see Body Rating chart in the Flowseal technical datasheet, as temp ranges can vary per material.

Note⁴ Viton® O-Ring is recommended for use in Hydrocarbon and NACE service.

Note⁵ RTFE/Silicone combination is not to be used with "NACE" valves.

IMPORTANT: CRANE Co. and its subsidiaries are not responsible for the accuracy, compliance, and legality of material contained in this price list offered in print, on the company websites, or via any external links, or third party sites. Please contact your local CRANE Energy

Notes



Crane ChemPharma & Energy

India Manufacturing Plant
Crane Process Flow
Technologies India Pvt Ltd
E7 / E8- 2, Old MIDC
Satara- PIN Code 415 004, India
Tel.: +91 21 62243000

CRANE Energy Global Headquarters
4526 Research Forest Drive, Suite 400
The Woodlands, Texas 77381 U.S.A.
Tel.: (1) 936-271-6500
Fax.: (1) 936-271-6510

India Head Office
Crane Process Flow
Technologies India Pvt Ltd
Solitaire, 5th & 6th Floor
S. No. 131 / 1+2, ITI Road
Aundh, Pune - 411007
Tel.: +91 20 71207120

www.cranecpe.com



Sydney, Australia, Operations
146-154 Dunheved Circuit
St. Mary's, N.S.W. 2760 Australia
Tel.: + 61 (2) 9623-0234
Fax.: + 61 (2) 9673-3870

Düsseldorf, GmbH, Operations
Crane Process Flow Technology, GmbH
Heerdter Lohweg 63-71, D-40549
Düsseldorf, Germany
Tel.: +49 211-59-56-0
Fax.: +49 211-59-56-111

Flowseal Customer Service
9860 Johnson Road
Montgomery, Texas 77316
Tel.: +1 936-588-8380
Fax.: +1 936-588-8381

brands you trust.



COMPAC-NOZ®



DEPA®

ELRO® DUO-CHEK®



NOZ-CHEK®



RESISTOFLEX®



STOCKHAM®



UNI-CHEK®

w.ta.®

XOMOX®

Crane Co., and its subsidiaries cannot accept responsibility for possible errors in catalogues, brochures, other printed materials, and website information. Crane Co. reserves the right to alter its products without notice, including products already on order provided that such alteration can be made without changes being necessary in specifications already agreed. All trademarks in this material are property of the Crane Co. or its subsidiaries. The Crane and Crane brands logotype, in alphabetical order, (ALOYCO®, CENTER LINE®, COMPAC-NOZ®, CRANE®, DEPA®, DUO-CHEK®, ELRO®, FLOWSEAL®, JENKINS®, KROMBACH®, NOZ-CHEK®, PACIFIC VALVES®, RESISTOFLEX®, REVO®, SAUNDERS®, STOCKHAM®, TRIANGLE®, UNI-CHEK®, WTA®, and XOMOX®) are registered trademarks of Crane Co. All rights reserved.